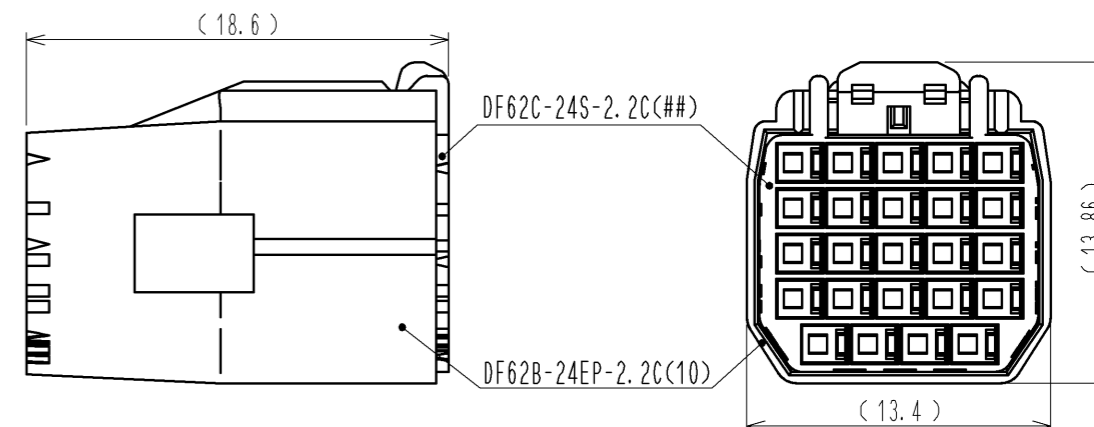
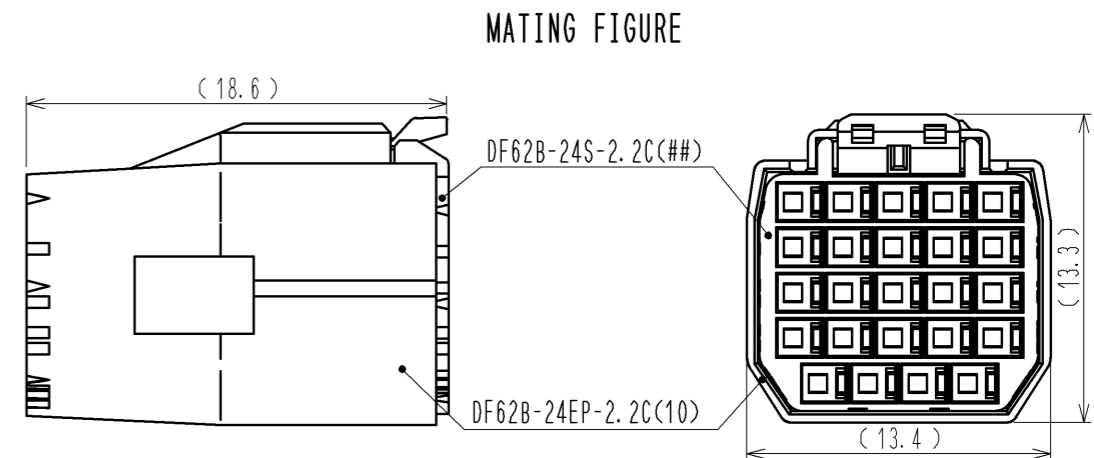
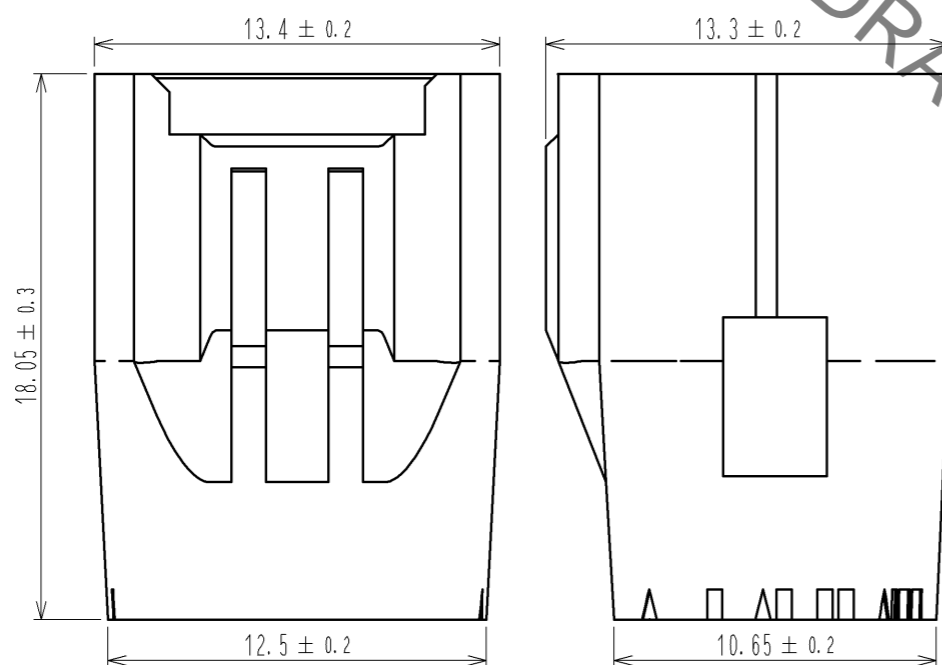
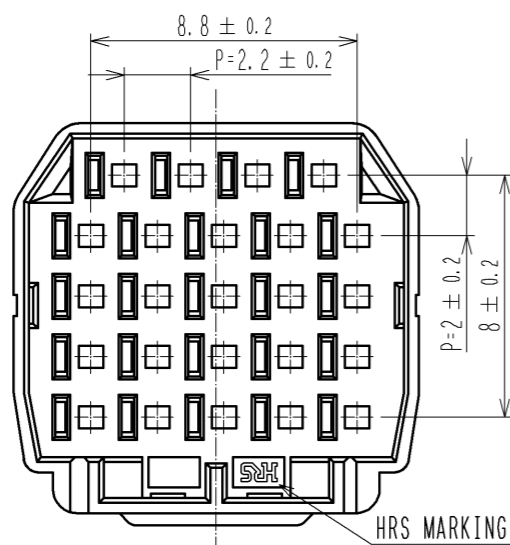
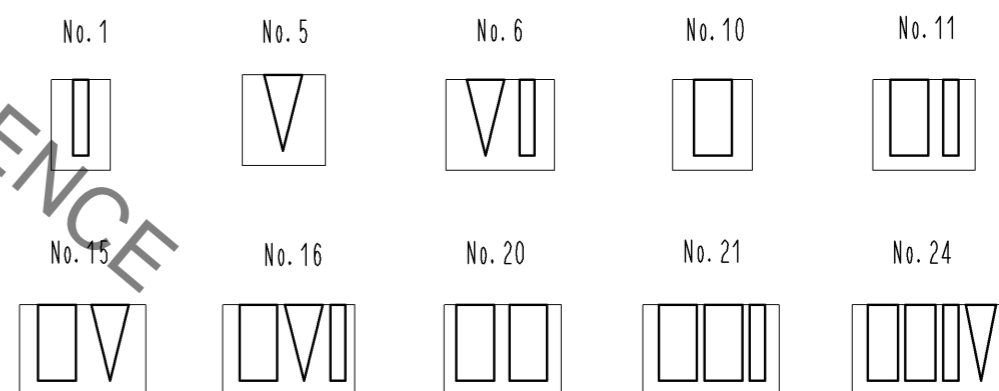


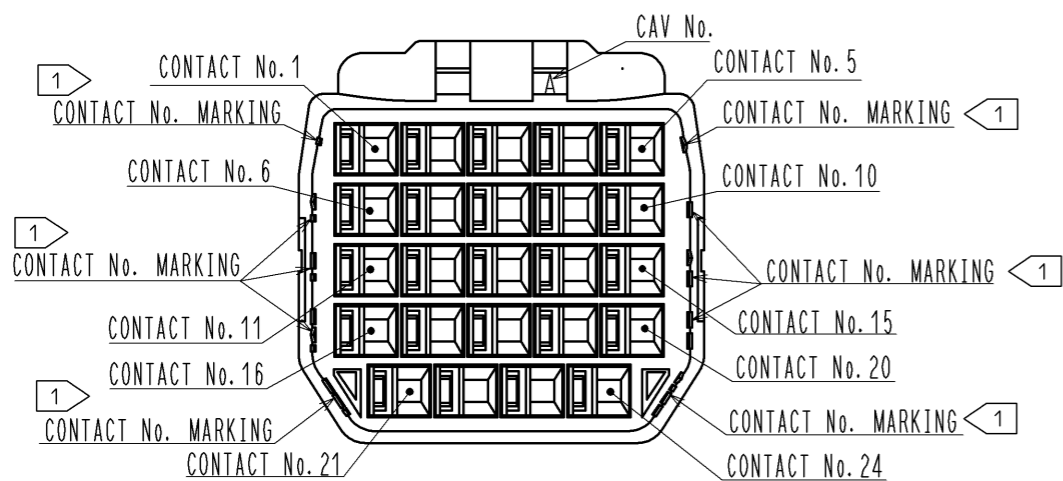
Dec.1.2022 Copyright 2022 HIROSE ELECTRIC CO., LTD. All Rights Reserved.
In case of consideration for using Automotive equipment / device which demand high reliability, kindly contact our sales window correspondents.



① FIGURE-1 CONTACT No. MARKING (10:1)



NOTE. ① MARKINGS AT THE INDICATED POSITIONS ARE CONTACT NO. MARKING. AND SHAPES ARE SHOWN IN FIGURE-1.
2. PER PACK : 100 PIECES.
3. THE DIMENSIONS IN PARENTHESIS ARE FOR REFERENCE.



NO.	MATERIAL	FINISH . REMARKS	NO.	MATERIAL	FINISH . REMARKS
			1	PBT	UL94V-0 (WHITE)
UNITS mm		SCALE 4 : 1	COUNT	DESCRIPTION OF REVISIONS	DESIGNED
	HIROSE ELECTRIC CO., LTD.	APPROVED : KI. AKIYAMA	13.09.10	DRAWING NO.	EDC3-348671-01
		CHECED : OM. MIYAMOTO	13.09.10	PART NO.	DF62B-24EP-2.2C(10)
		DESIGNED : TH. YOSHIZAWA	13.09.09	CODE NO.	CL544-0540-3-10
		DRAWN : MI. SAKIMURA	13.09.09		