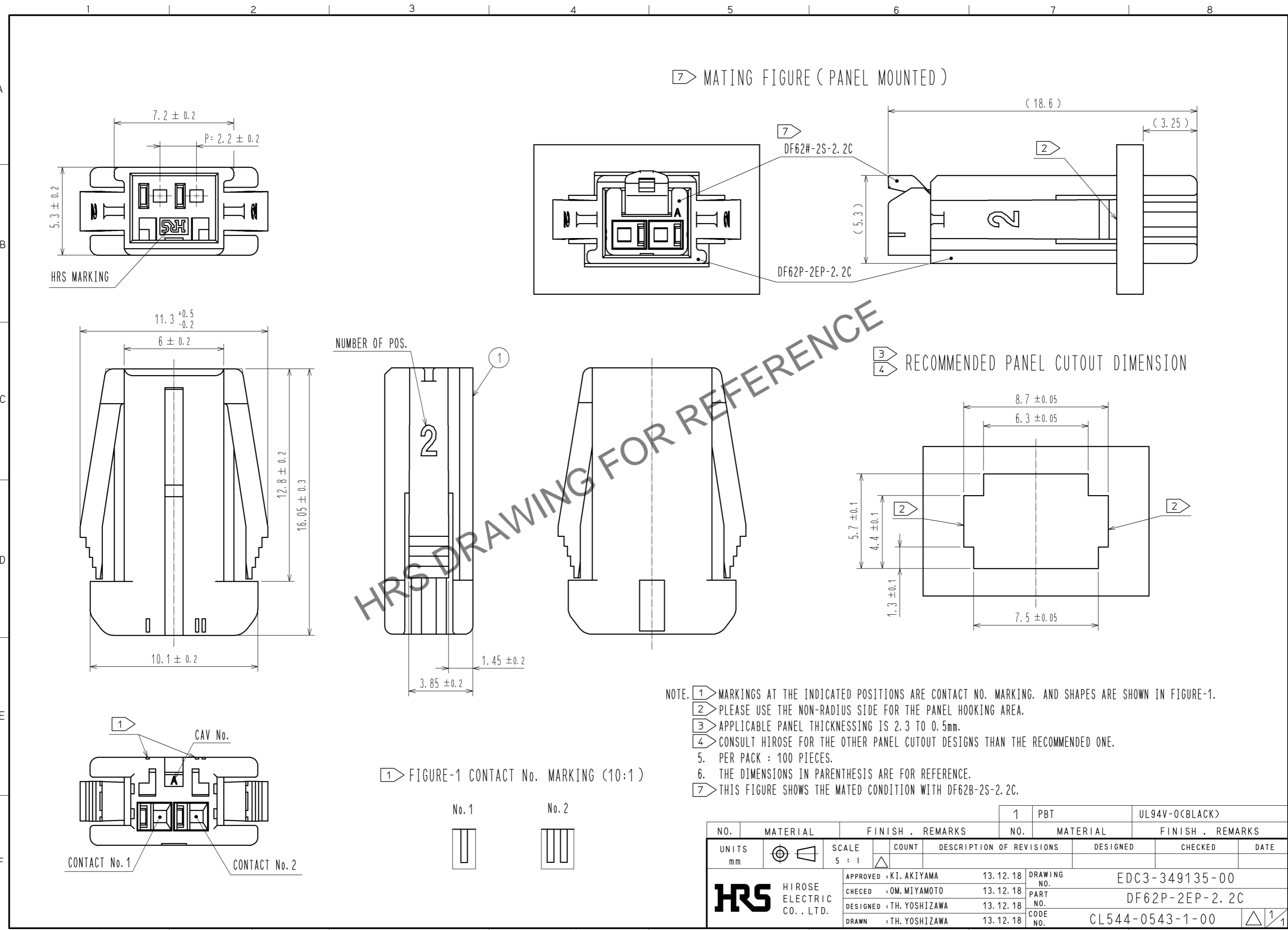


May.1.2026 Copyright 2026 HIROSE ELECTRIC CO., LTD. All Rights Reserved.
In case of consideration for using Automotive equipment / device which demand high reliability, kindly contact our sales window correspondents.



- NOTE. ① MARKINGS AT THE INDICATED POSITIONS ARE CONTACT NO. MARKING. AND SHAPES ARE SHOWN IN FIGURE-1.
 ② PLEASE USE THE NON-RADIUS SIDE FOR THE PANEL HOOKING AREA.
 ③ APPLICABLE PANEL THICKNESSING IS 2.3 TO 0.5mm.
 ④ CONSULT HIROSE FOR THE OTHER PANEL CUTOUT DESIGNS THAN THE RECOMMENDED ONE.
 5. PER PACK : 100 PIECES.
 6. THE DIMENSIONS IN PARENTHESIS ARE FOR REFERENCE.
 ⑦ THIS FIGURE SHOWS THE MATED CONDITION WITH DF62B-2S-2.2C.

① FIGURE-1 CONTACT No. MARKING (10:1)



NO.		MATERIAL		FINISH . REMARKS		1	PBT	UL94V-0(BLACK)
UNITS mm		SCALE 5 : 1		COUNT		DESIGNED		CHECKED
HRS		HIROSE ELECTRIC CO., LTD.		APPROVED : KI. AKIYAMA		13.12.18		DRAWING NO. EDC3-349135-00
				CHECKED : OM. MIYAMOTO		13.12.18		PART NO. DF62P-2EP-2.2C
				DESIGNED : TH. YOSHIZAWA		13.12.18		CODE NO. CL544-0543-1-00
				DRAWN : TH. YOSHIZAWA		13.12.18		DATE 1/1