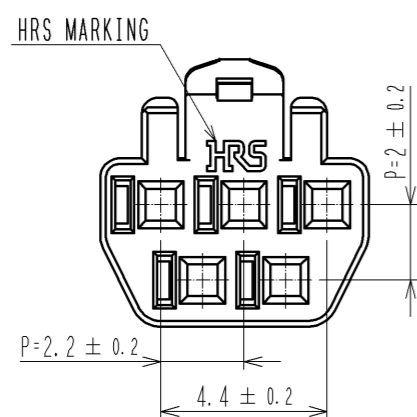
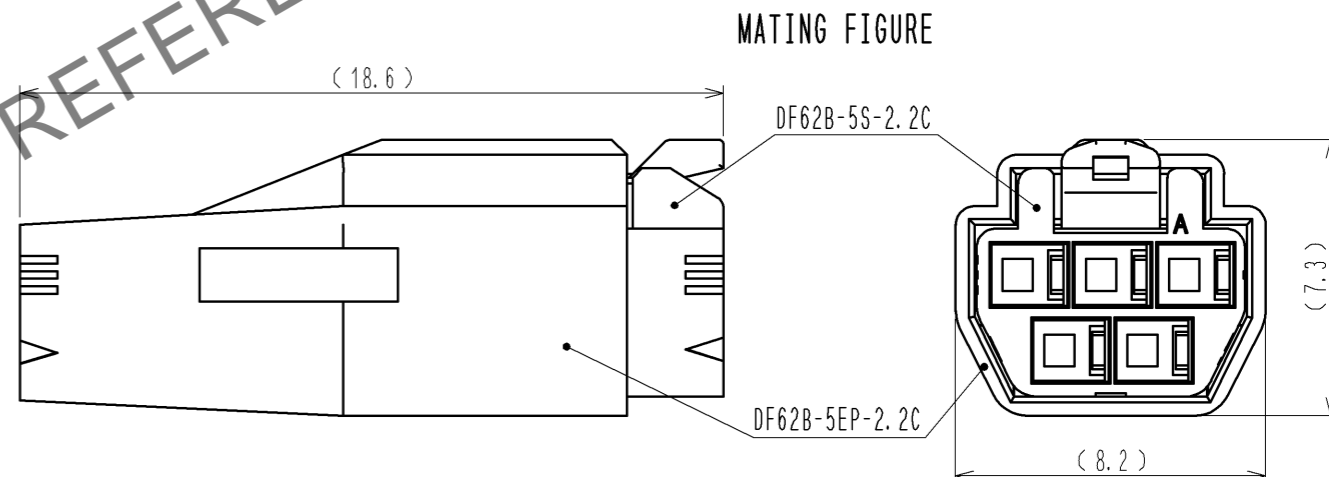
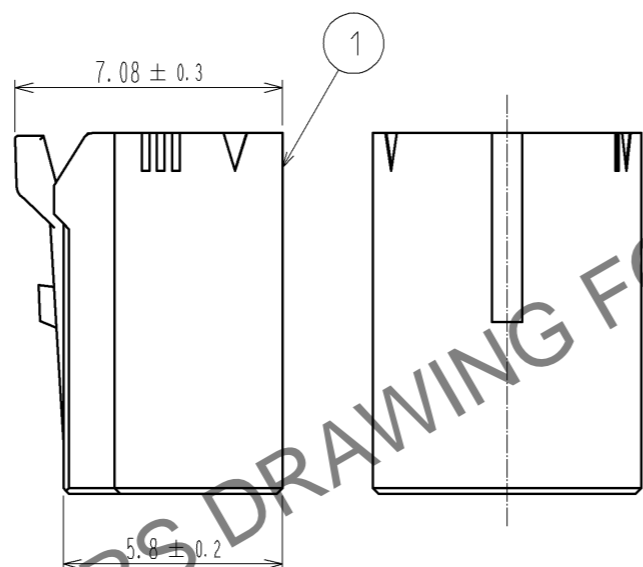
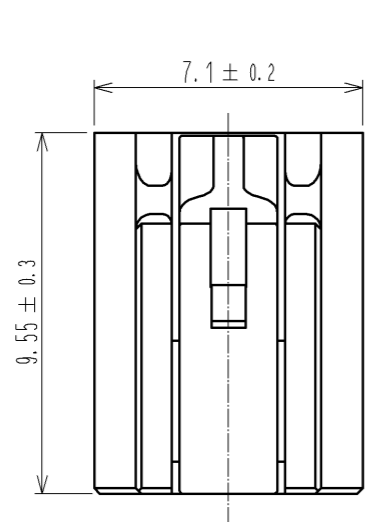
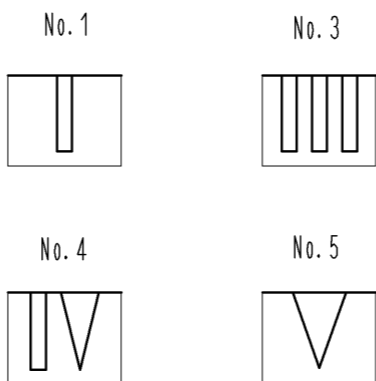
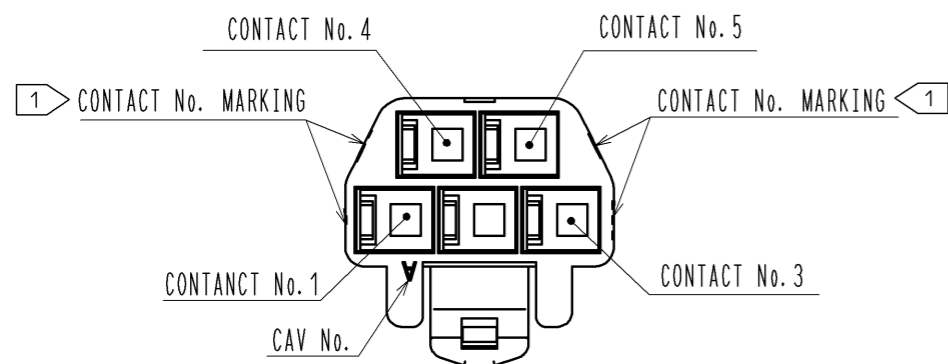


Oct.1.2024 Copyright 2024 HIROSE ELECTRIC CO., LTD. All Rights Reserved.  
 In case of consideration for using Automotive equipment / device which demand high reliability, kindly contact our sales window correspondents.

1 FIGURE-1 CONTACT No. MARKING (10:1)



NOTE. 1 MARKINGS AT THE INDICATED POSITIONS ARE CONTACT NO. MARKING. AND SHAPES ARE SHOWN IN FIGURE-1.  
 2. PER PACK : 100 PIECES.  
 3. THE DIMENSIONS IN PARENTHESIS ARE FOR REFERENCE.

NO.	MATERIAL	FINISH . REMARKS	NO.	MATERIAL	FINISH . REMARKS
			1	PBT	UL94V-0 (WHITE)
UNITS	mm	SCALE	5 : 1	COUNT	△
HIROSE ELECTRIC CO., LTD.		APPROVED : KI. AKIYAMA	13. 07. 04	DRAWING NO. EDC3-351959-00	
		CHECKED : OM. MIYAMOTO	13. 07. 03	PART NO. DF62B-5S-2. 2C	
		DESIGNED : TH. YOSHIZAWA	13. 07. 03	CODE NO. CL544-0554-8-00	
		DRAWN : MI. SAKIMURA	13. 06. 27	1/1	