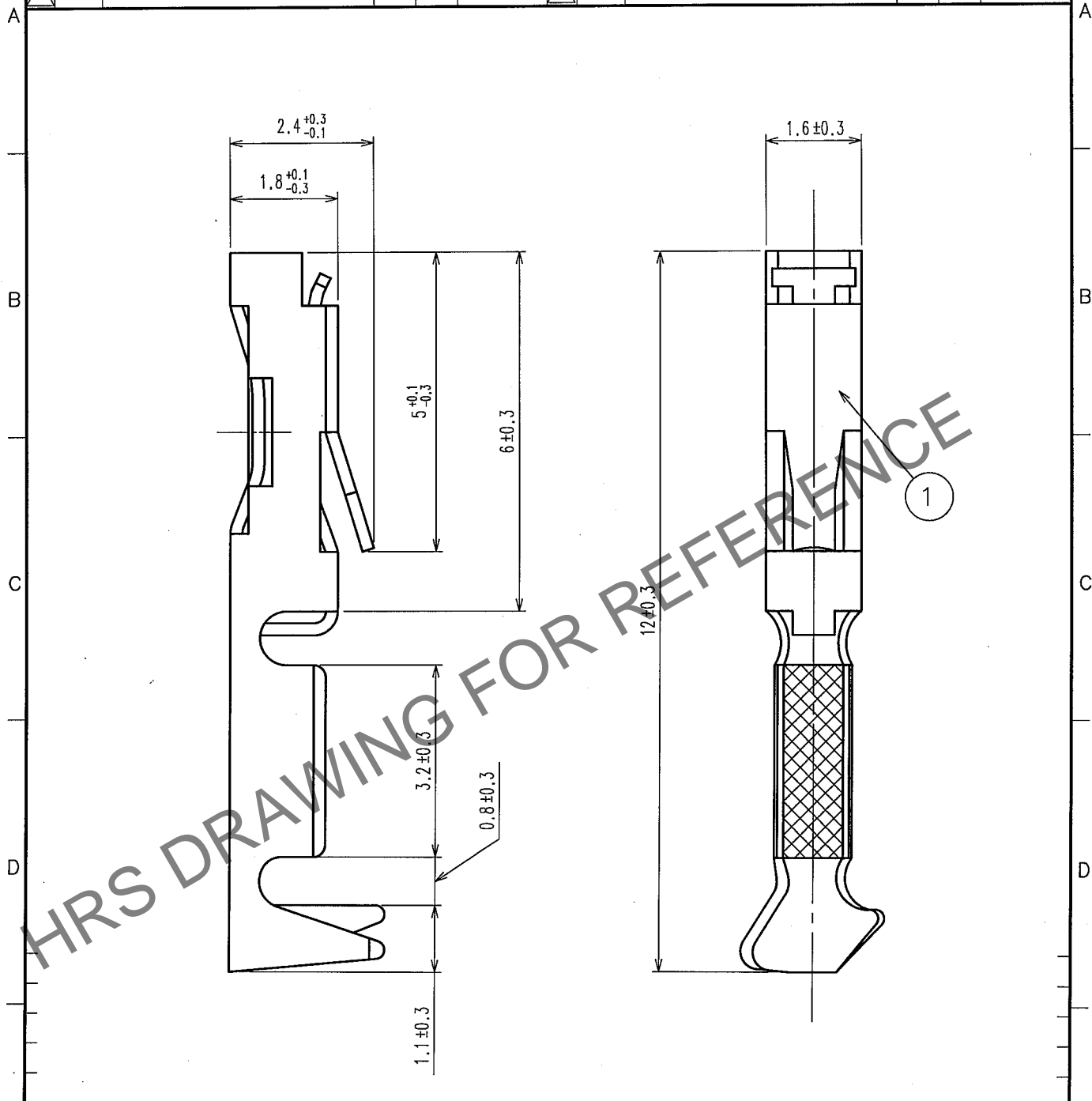


Apr.1.2026 Copyright 2026 HIROSE ELECTRIC CO., LTD. All Rights Reserved.
 In case of consideration for using Automotive equipment / device which demand high reliability, kindly contact our sales window correspondents.

1	2	3	4						
COUNT	DESCRIPTION OF REVISIONS	BY	CHKD	DATE	COUNT	DESCRIPTION OF REVISIONS	BY	CHKD	DATE
△					△				
△					△				
△					△				



NOTE 1 THE DIMENSIONS IN PARENTHESES ARE FOR REFERENCE.

NO. 1		MATERIAL PHOSPHOR BRONZE		FINISH, REMARKS CONTACT AREA:GOLD 0.2μ m min. UNDER PLATING:NICKEL 1μ m min.	
NO. CODE NO. (OLD) CL		DRAWN A. SUZUKAWA '06.05.26		DESIGNED d. Nakamura '06.05.29	
		CHECKED d. Oyama '06.05.30		APPROVED H. Okawa '06.05.30	
		RELEASED			
DRAWING NO. EDC4-016840		PART NO. HIF3-2428SCA			
SCALE 10 : 1		CODE NO. CL562-0246-8		1/1	
UNITS mm		HRS HIROSE ELECTRIC CO., LTD.			

TO
PCK