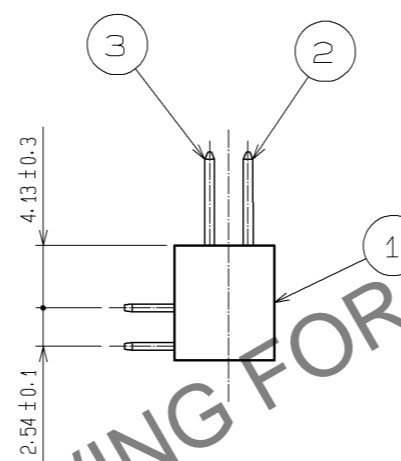
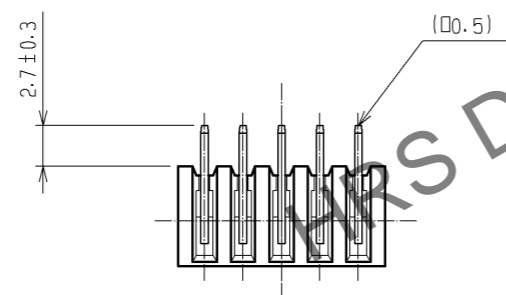
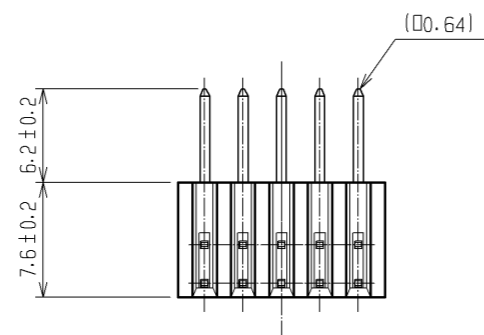
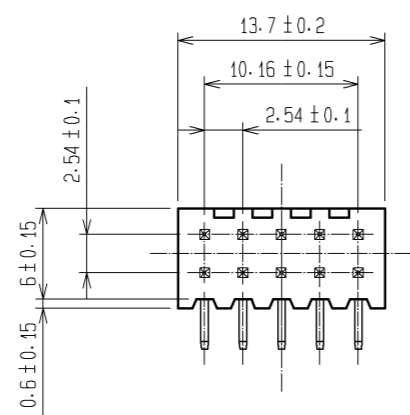
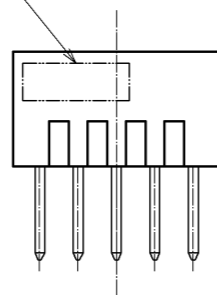


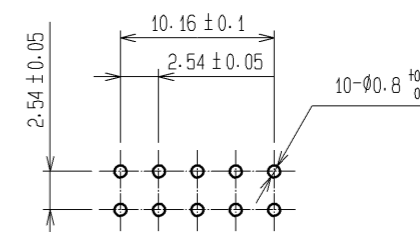
Feb.1.2026 Copyright 2026 HIROSE ELECTRIC CO., LTD. All Rights Reserved.
 In case of consideration for using Automotive equipment / device which demand high reliability, kindly contact our sales window correspondents.



1 LOT NO. MARKING



RECOMMENDED PC BOARD HOLE PATTERN



- NOTES 1 LOT NO. MARKING SIDE SHALL BE OPTIONAL.
 2. THE DIMENSIONS IN PARENTHESES ARE FOR REFERENCE.

1	PBT	BLACK UL94V-0	2.3	BRASS	CONTACT AREA : GOLD 0.2μm min. DIP AREA : TIN-PLATING 2μm min. UNDER PLATING : NICKEL 2.5μm min.
NO.	MATERIAL	FINISH . REMARKS	NO.	MATERIAL	FINISH . REMARKS
UNITS mm		SCALE 2 : 1	COUNT △	DESCRIPTION OF REVISIONS	DESIGNED
HRS HIROSE ELECTRIC CO., LTD.		APPROVED : HS. OKAWA 07.08.28	CHECKED : HS. OZAWA 07.08.28	DESIGNED : KY. NAKAMURA 07.08.28	DRAWN : TP. MATSUMOTO 07.08.27
				DRAWING NO.	EDC4-016897-21
				PART NO.	HIF3E-10PA-2.54DS(71)
				CODE NO.	CL614-0041-0-71
					△ 1/1