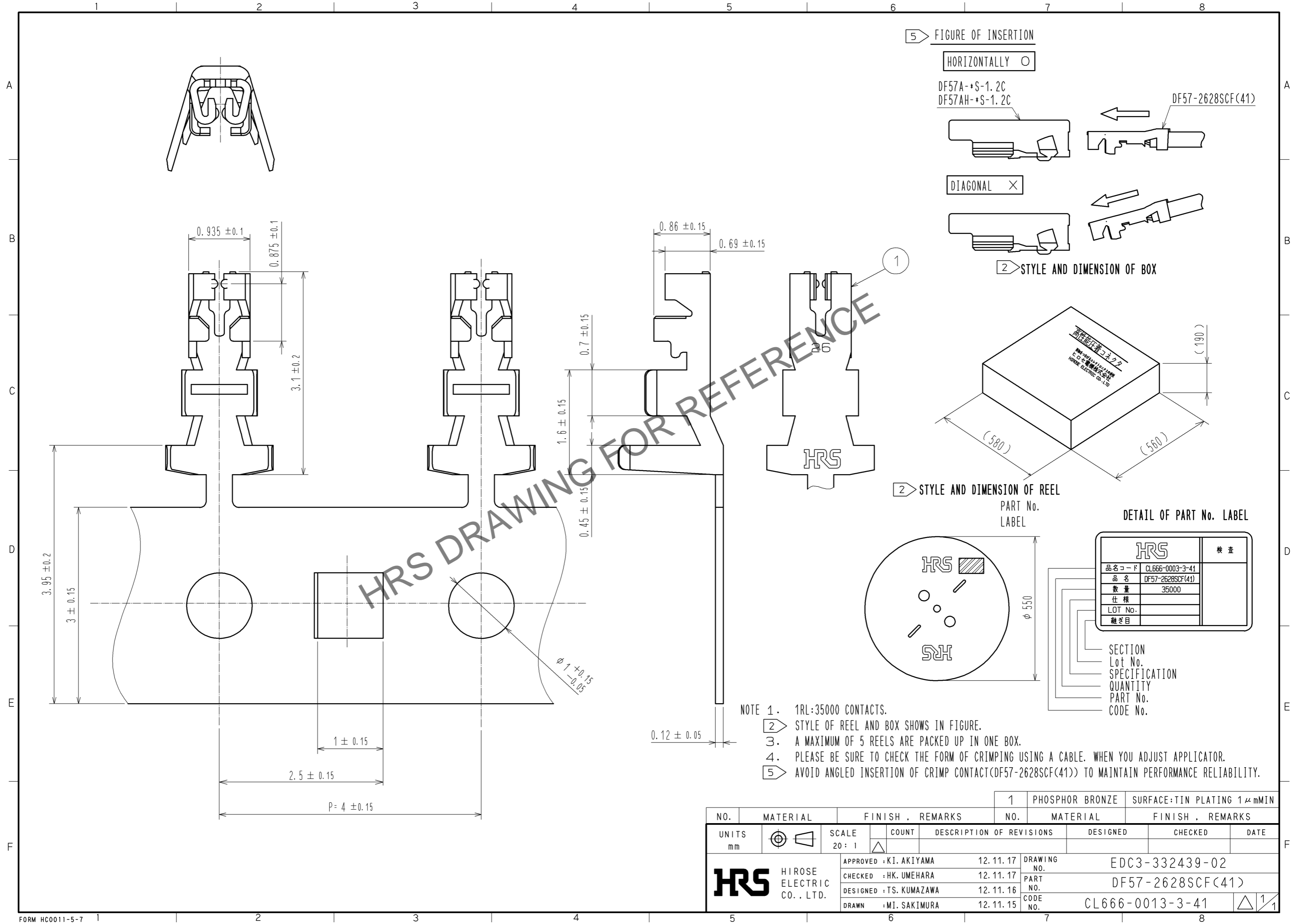


Mar.1.2026 Copyright 2026 HIROSE ELECTRIC CO., LTD. All Rights Reserved.
In case of consideration for using Automotive equipment / device which demand high reliability, kindly contact our sales window correspondents.



NO.	MATERIAL	FINISH	REMARKS	NO.	MATERIAL	FINISH	REMARKS	
		1	PHOSPHOR BRONZE			SURFACE:TIN PLATING	1 μmMIN	
UNITS	mm	SCALE	20:1	COUNT	DESCRIPTION OF REVISIONS	DESIGNED	CHECKED	DATE
		APPROVED : KI. AKIYAMA 12.11.17 CHECKED : HK. UMEHARA 12.11.17 DESIGNED : TS. KUMAZAWA 12.11.16 DRAWN : MI. SAKIMURA 12.11.15		DRAWING NO. EDC3-332439-02 PART NO. DF57-2628SCF(41) CODE NO. CL666-0013-3-41		1/1		