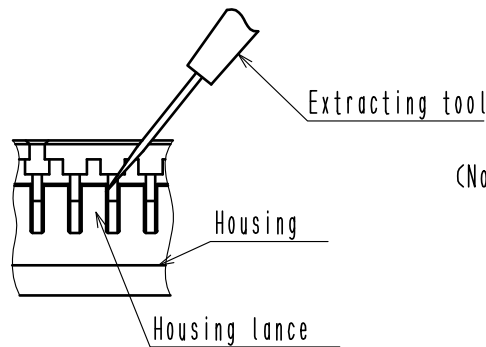


Procedures for Using the Crimp Terminal Extracting Tool

Extracting Tool Name	DF-C-P0(B)
Applicable Crimp Terminals	<input type="checkbox"/> DF19-****SCFA(##) <input type="checkbox"/> DF20A-****SCFA(##)

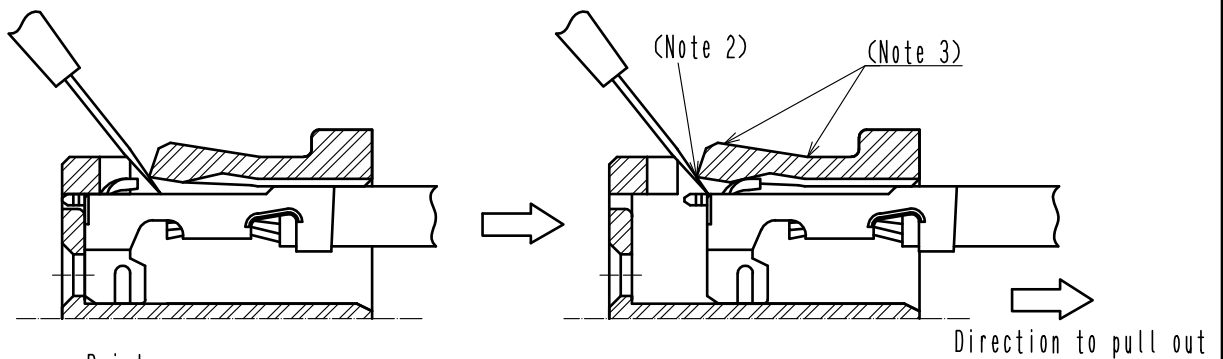
☐ Procedures (e.g.) DF20A-*DS-1C, DF20B-****SCFA (##)

- As shown in the drawing below, insert the tip of the extracting tool (DF-C-P0(B)) in the area slightly below the edge of the housing lance.



(Note 1) When you insert the extracting tool, make sure not to deform the housing lance.

- Lift the housing lance and pull the terminal out.



* Points

It will be easier to pull the terminal out if you started applying some tension, although not as much as to cause damage to the connector, in the direction to pull the terminal out before you lift the lance.

(Note 2) If you notice that the tip of the housing lance has scraped away when you pulled the terminal out, do not reuse the connector.

(Note 3) If after you remove the terminal, the housing lance remains lifted and does not go back or if you notice a crack (including whitening) at the base of the housing lance, do not reuse the connector.

COUNT	DESCRIPTION OF REVISIONS	DESIGNED	CHECKED	DATE
△ 1	DIS-H-00022973	SS. YAMASAKI	SZ. ONO	20250408
名称 TITLE △ DF-C-P0(B) Procedures for Using the Crimp Terminal Extracting Tool		HRS ヒロセ電機株式会社 HIROSE ELECTRIC CO., LTD.		
		APPROVED	TS. SAKATA	20071030
		CHECKED	HK. UMEHARA	20071030
		CHARGED	TS. KUMAZAWA	20071030
		WRITTEN	SN. KOBAYASHI	20071029
技術指定書 TECHNICAL SPECIFICATION		ETAD-H0249		△ 1 / 1