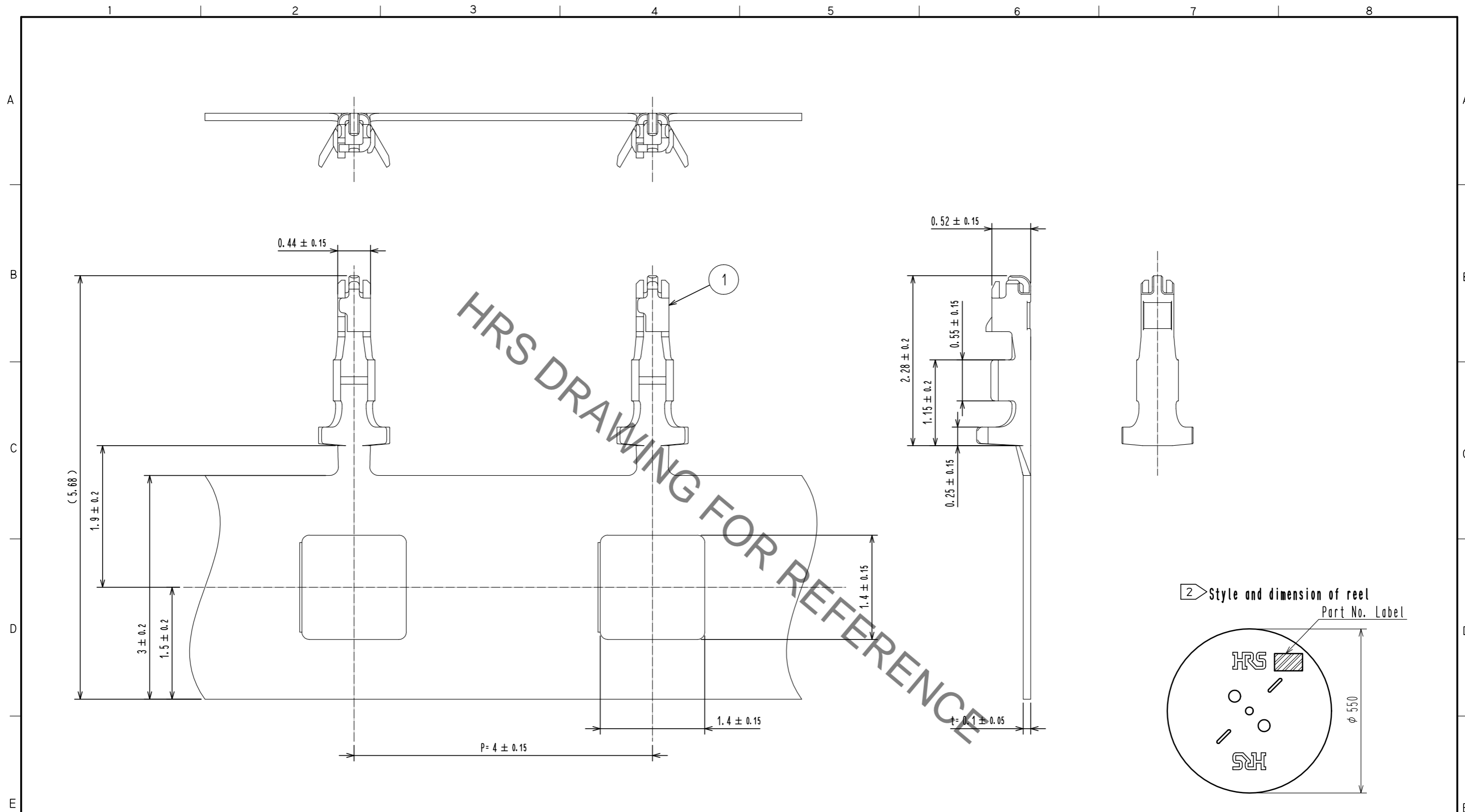


Jul.1.2022 Copyright 2022 HIROSE ELECTRIC CO., LTD. All Rights Reserved.
 In case of consideration for using Automotive equipment / device which demand high reliability, kindly contact our sales window correspondents.



HRS DRAWING FOR REFERENCE

- NOTE
1. 1RL:40000 contacts.
 2. Style of reel shows in figure.
 3. This product satisfies halogen free requirements defined as 900ppm maximum chlorine, 900ppm maximum bromine, and 1500ppm maximum total of chlorine and bromine.
 4. Refer to the technical specification (ETAP-H1067-00) for the packing type.
 5. Please be sure to check the form of crimping using a cable, when you adjust applicator.
 6. Applicable wire of the contact is 32 AWG ϕ 0.4mm MAX.
 7. Please make sure refer to the manuals below for operation of this product.
 For Crimp quality standards ETAD-H0921-00
 For Cable assembly procedure ETAD-H0995-00

1	Copper alloy	Surface: Tin plating 1 μ m MIN Under plating: Copper plating 0.3 μ m MIN
---	--------------	---

NO.	MATERIAL	FINISH . REMARKS	NO.	MATERIAL	FINISH . REMARKS		
UNITS		SCALE	COUNT	DESCRIPTION OF REVISIONS	DESIGNED	CHECKED	DATE
mm		20 : 1					
HRS HIROSE ELECTRIC CO., LTD.		APPROVED : HS. OKAWA	20200710	DRAWING NO. EDC-380643-00-00			
		CHECKED : ST. WADA	20200710	PART NO. DF53-32PCF			
		DESIGNED : TH. SATO	20200710	CODE NO. CL668-1025-0-00			
		DRAWN : TH. SATO	20200710			1/1	