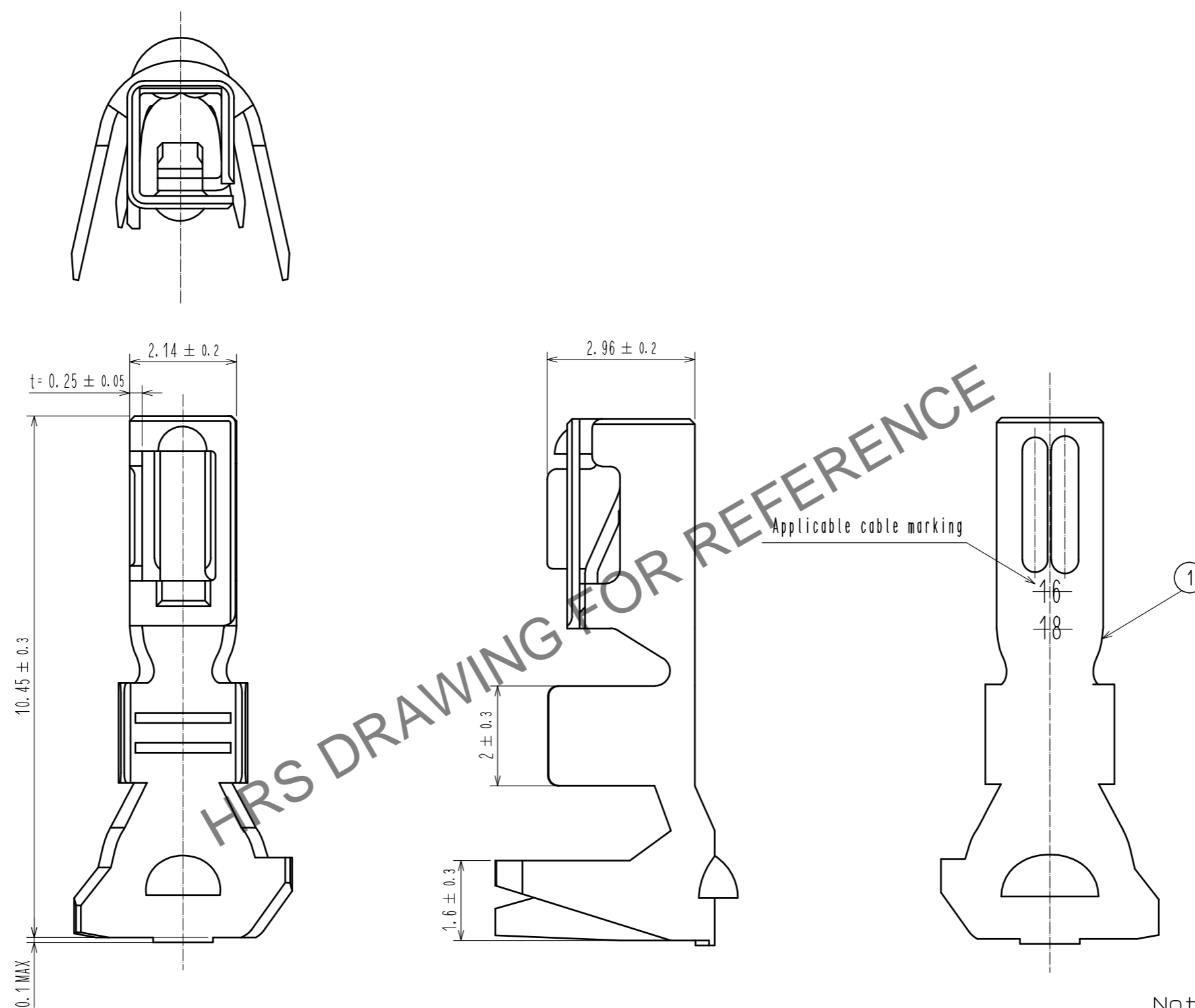


Aug.1.2024 Copyright 2024 HIROSE ELECTRIC CO., LTD. All Rights Reserved.
 In case of consideration for using Automotive equipment / device which demand high reliability, kindly contact our sales window correspondents.



Note 1. Per pack : 100 pieces.

NO.		MATERIAL		FINISH . REMARKS		NO.		MATERIAL		FINISH . REMARKS	
		1		Copper alloy				Tin plating 1 μm MIN			
UNITS	⊙	SCALE	COUNT	DESCRIPTION OF REVISIONS				DESIGNED	CHECKED	DATE	
mm	⊙	10 : 1	△								
HRS		HIROSE ELECTRIC CO., LTD.		APPROVED : SJ. OKAMURA	20210513	DRAWING NO.		EDC-393065-00-00			
				CHECED : SZ. ONO	20210513	PART NO.		DF63A-1618SC			
				DESIGNED : TS. KUMAZAWA	20210513	CODE NO.		CL0680-0648-0-00			
				DRAWN : TS. KUMAZAWA	20210513			△ 1/1			