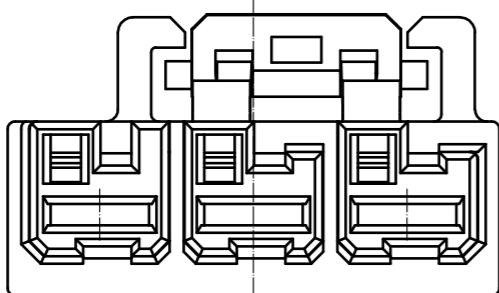
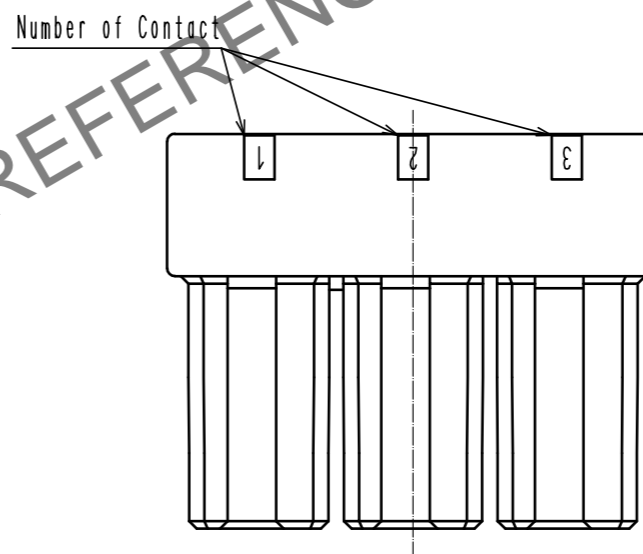
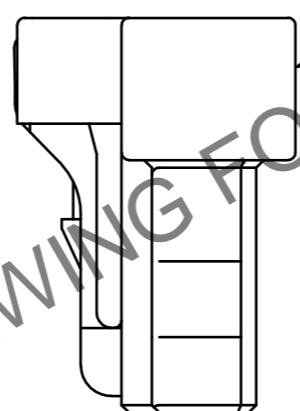
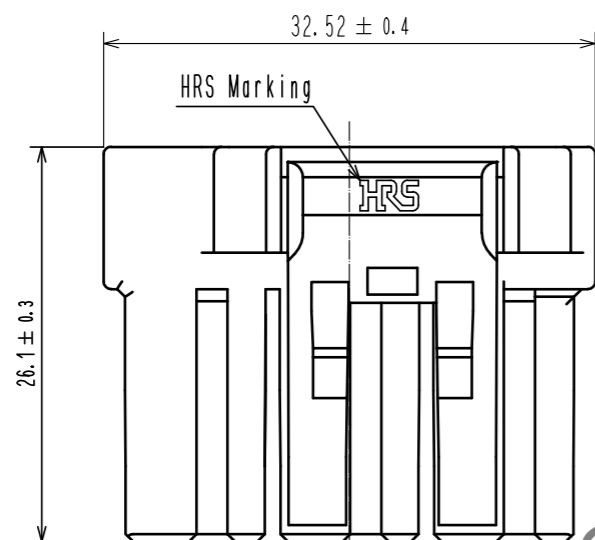
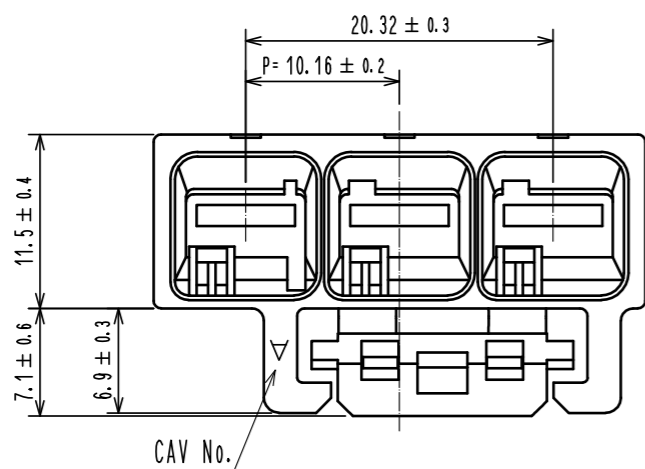


May.1.2024 Copyright 2024 HIROSE ELECTRIC CO., LTD. All Rights Reserved.
In case of consideration for using Automotive equipment / device which demand high reliability, kindly contact our sales window correspondents.



HRS DRAWING FOR REFERENCE

- NOTE1. Per Pack : 100 Pieces
 2. Refer to the technical specification (ETAP-H1020-00) for the packing type.
 3. UL(File No. E52653)
 C-UL(File No. E52653)
 TUV (Certificate No. R50400864) authorization article.



NO.		MATERIAL		FINISH . REMARKS		1	PBT	Black, UL94-V0
UNITS mm		SCALE 2 : 1		COUNT 1		DESCRIPTION OF REVISIONS DIS-H-00004358		DESIGNED YK. YAMAGUCHI
APPROVED : HS. OKAWA		20171011		DRAWING NO.		EDC-379271-00-00		
CHECED : ST. WADA		20171011		PART NO.		DF60F-3S-10.16C		
DESIGNED : TT. OHSAKO		20171011		CODE NO.		CL680-4002-0-00		
DRAWN : TT. OHSAKO		20171011				1/1		