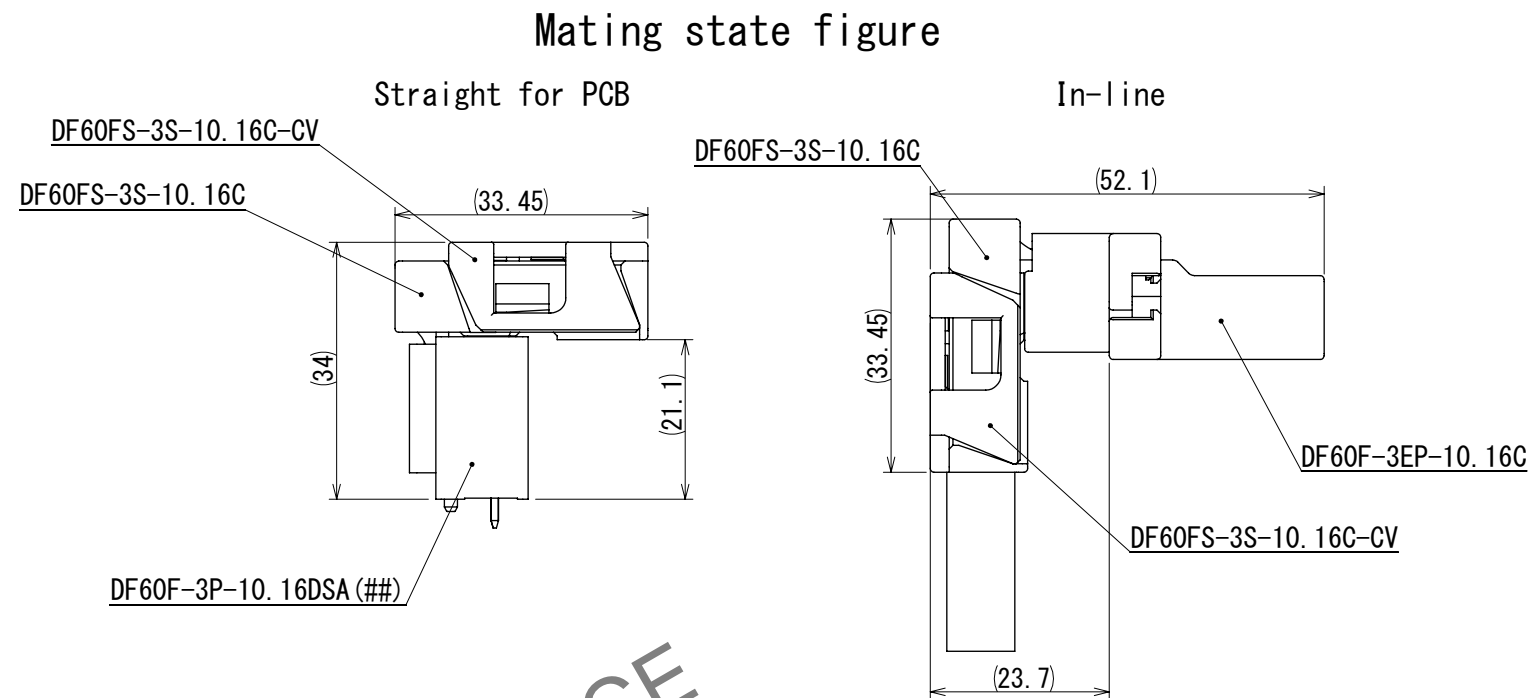
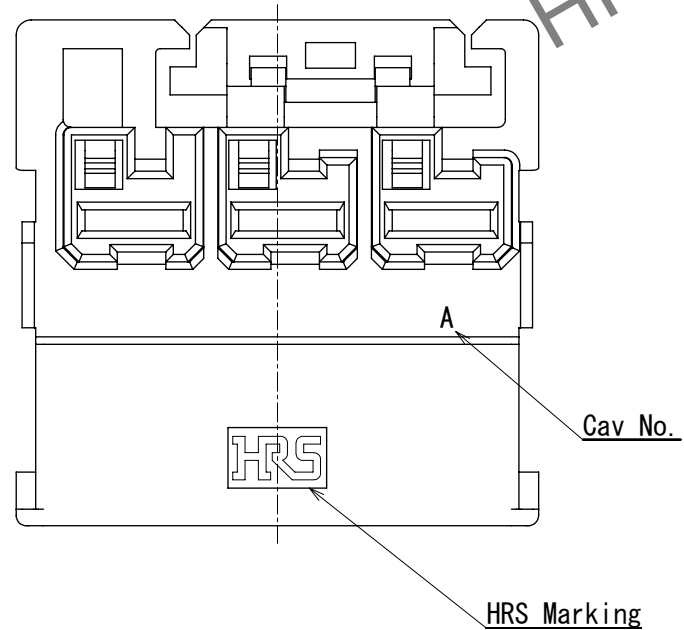
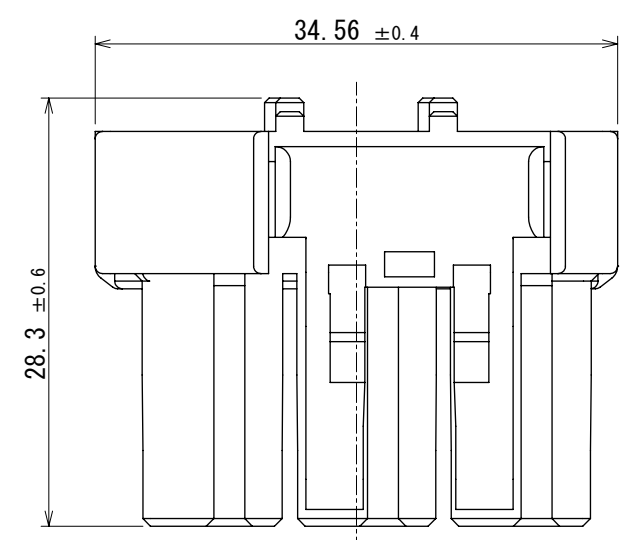
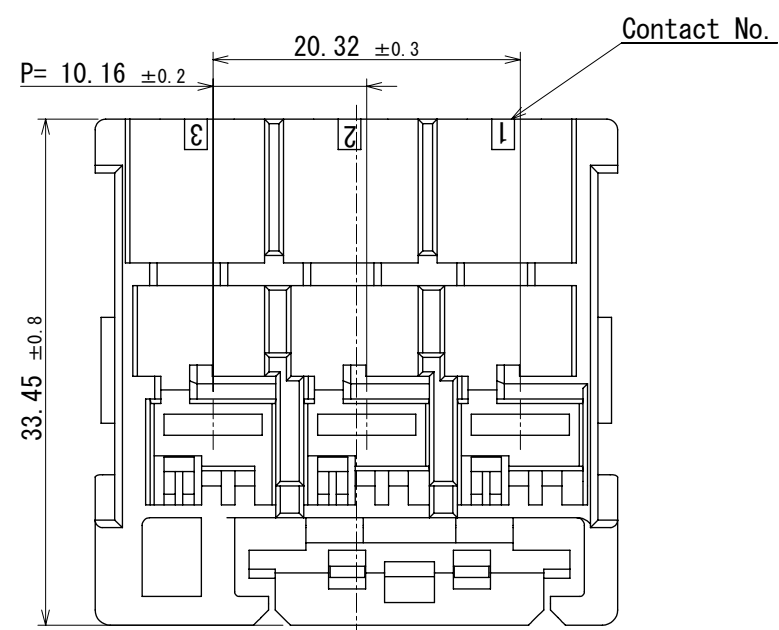


Oct.1.2024 Copyright 2024 HIROSE ELECTRIC CO., LTD. All Rights Reserved.
 In case of consideration for using Automotive equipment / device which demand high reliability, kindly contact our sales window correspondents.



HRS DRAWING FOR REFERENCE

- Note 1. 100 Pieces / Pack
 2. Please refer to the technical specification (ETAP-H1020-00) for the packing type.
 3. Please refer to the technical specification (ETAD-H0654-00, ETAD-H0653-00) for handling.
 4. There may be minor scratches, however does not affect performance.
 5. UL (File No. E52653)
 C-UL (File No. E52653)
 TÜV (Certificate No. R50400864) authorization article.



NO.	MATERIAL	FINISH	REMARKS
1	PBT	Black, UL94V-0	

UNITS	SCALE	COUNT	DESCRIPTION OF REVISIONS	DESIGNED	CHECKED	DATE
mm	2:1	1	DIS-H-00020823	TS. KUMAZAWA	SZ. ONO	2024.06.17

HRS HIROSE ELECTRIC CO., LTD.	APPROVED : SJ. OKAMURA	2023. 10. 19	DRAWING NO.	EDC-402681-00-00
	CHECKED : TT. OHSAKO	2023. 10. 19	PART NO.	DF60FS-3S-10.16C
	DESIGNED : KT. NUMATA	2023. 10. 18	CODE NO.	CL0680-4015-0-00
	DRAWN : SK. CHIBA	2023. 10. 18		