

1. Scope

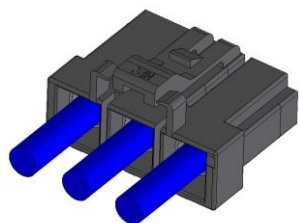
This document specifies the steps to insert or remove the DF60 series.

It contains general guidelines and precautions for the safe use of the product.
 The use of the product in a way not as specified in the document could result in unexpected troubles such as damage to connectors.
 Please make sure to thoroughly read and understand the document prior to the use of the product.

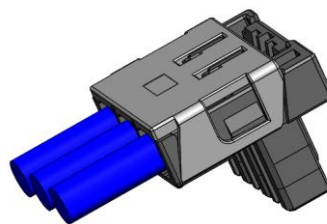
2. Connectors

①

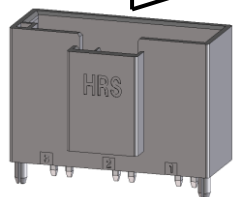
Part No.	Description
DF60#-*P-10.16DS(A)	Header
DF60#-*EP-10.16C	In-line Plug
DF60#-*S-10.16C	Socket
DF60#-*S-10.16C-CV	Covercase
DF60#-****SC(F)A	Crimp contact for socket
DF60-****PC(F)A	Crimp contact for In-line plug



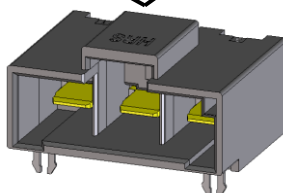
DF60-3S-10.16C
 + DF60-****SC(F)A



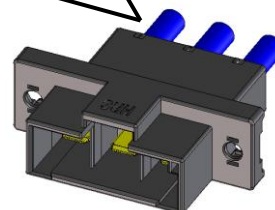
DF60FS-3S-10.16C
 + DF60FS-3S-10.16C-CV
 + DF60S-****SC(F)A



DF60-3P-10.16DSA



DF60-3P-10.16DS



DF60-3EP-10.16C
 + DF60-****PC(F)A

Fig. 1. DF60 connector

COUNT	DESCRIPTION OF REVISIONS	DESIGNED	CHECKED	DATE
6	DIS-H-00019386	SN. MIWA	TT. OHSAKO	20231101
名称 TITLE		HIROSE ELECTRIC CO., LTD.		
DF60 Series Mating/Unmating Operation Instruction Manual		APPROVED	SJ. OKAMURA	20210728
		CHECKED	SZ. ONO	20210728
		DESIGNED	TS. MIYAKI	20210728
		WRITTEN	TS. MIYAKI	20210728
技術指定書 TECHNICAL SPECIFICATION		ETAD-H0654-00		① 1 / 6

3. Operation procedure

3-1. Insertion

① 3-1-a. Positioning for insertion:

: Adjust the position for insertion according to the locks of the socket or In-line plug.

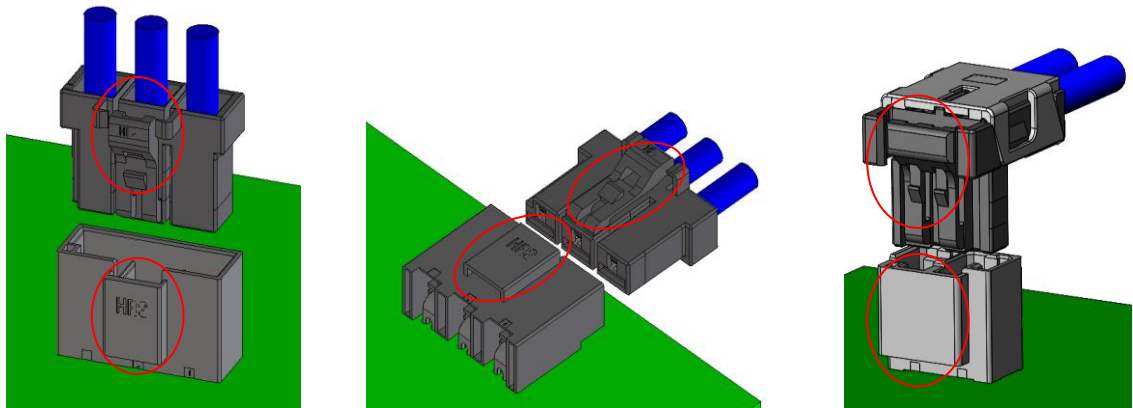


Fig. 2. Positioning for insertion

① 3-1-b. Insertion:

Insert the socket till it clicks while retaining the adjusted position.

Then, it is not needed to handle the lock portion

(If it is inserted the socket by pushing the lock portion, it does not hear click sound.)

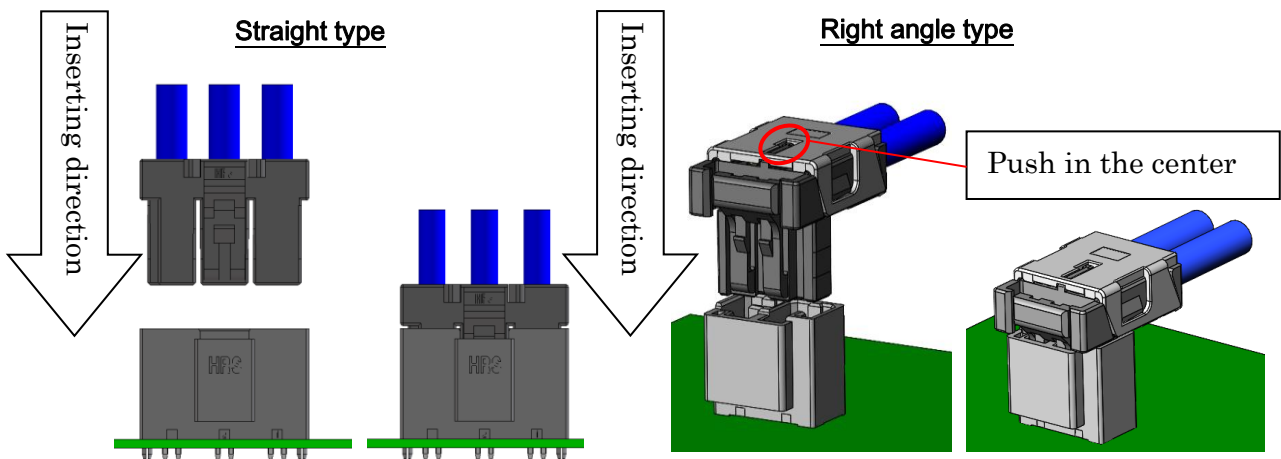


Fig. 3. Insertion

Attention 1. To avoid degraded quality, do not tilt the socket for insertion as shown in the figure below.

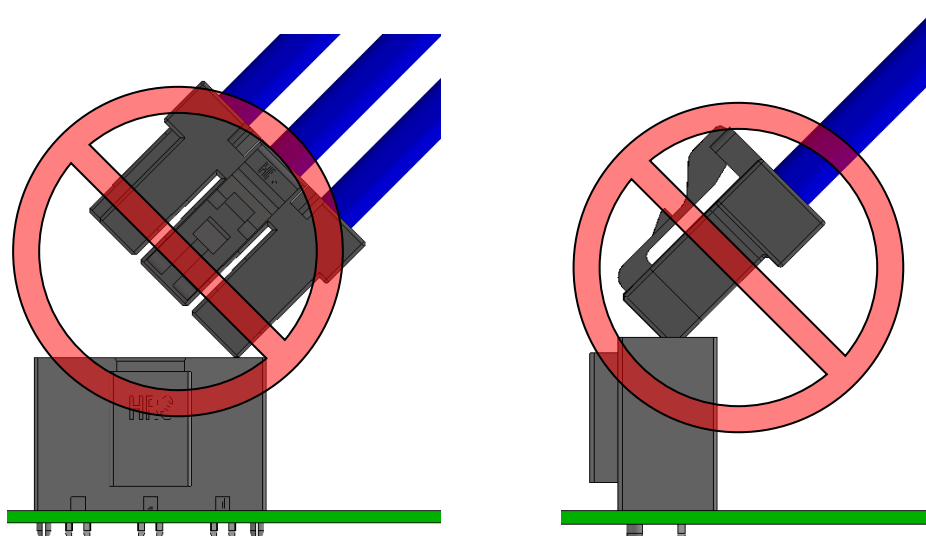


Fig. 4. Forbidden insertion (1)

Attention 2. Avoid insert socket by bundling the cable or applying stress to the socket like below picture shown.

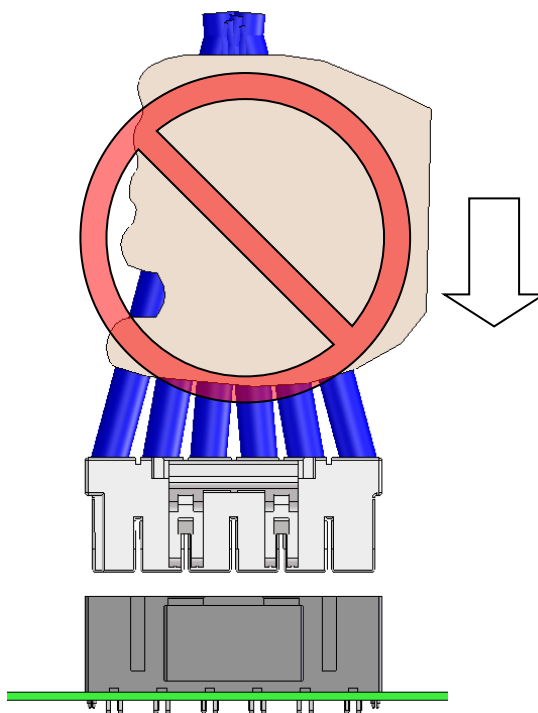
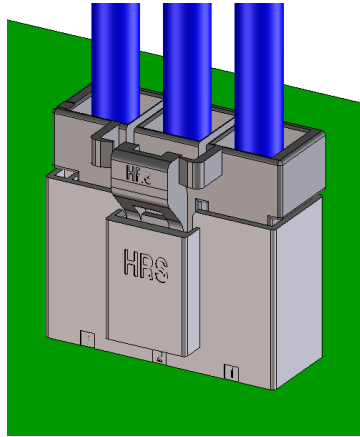


Fig. 5. Forbidden insertion (2)

1 3-1-c. Check fitting:

Make sure the socket has been firmly fit with the header or In-line plug.
(Check that the socket lock has been caught at the header lock or In-line plug lock by slightly pulling a cable by hand.)
To remove the socket, refer to 3-2. Socket removal.

Straight type



Right angle type

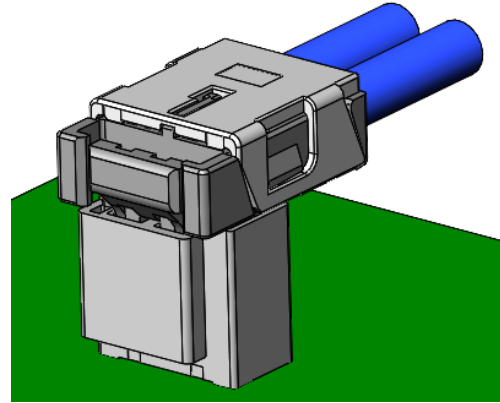


Fig. 6. Mating state

3-2. Socket removal

1 3-2-a. Removal:

For straight type

While grasping the cable, use your entire finger to firmly release the lock and remove it.

Attention. If you remove the lock while it is caught, you will not be able to remove it properly.

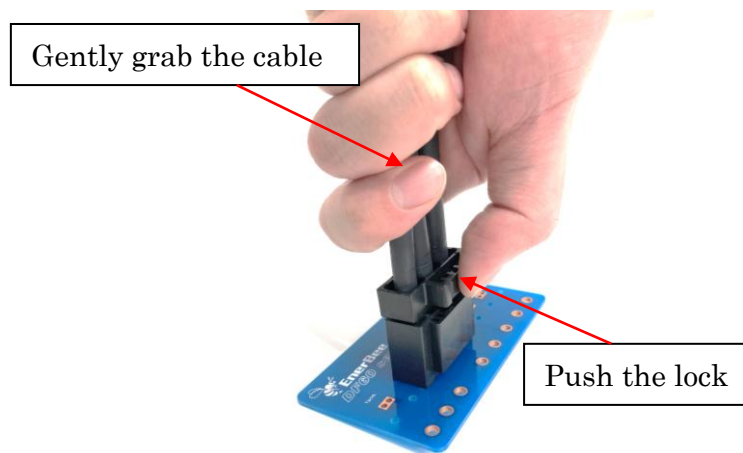


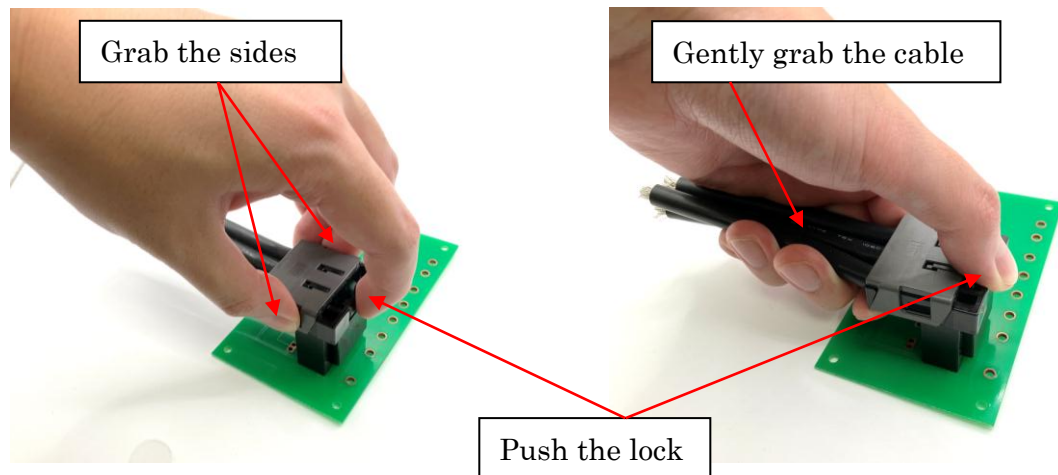
Fig. 7. Socket removal

For right angle type

While grasping the side of the crimp socket or the cable, make sure to release the lock with your entire finger and remove it.

Attention. If you remove the lock while it is caught, you will not be able to remove it properly.

Attention. When grasping the cable, do not route it in a way that puts stress on the base.



4. Precautions

- Do not insert or remove the socket while electrifying.
- Do not pull the lock as shown below. The lock may be damaged.

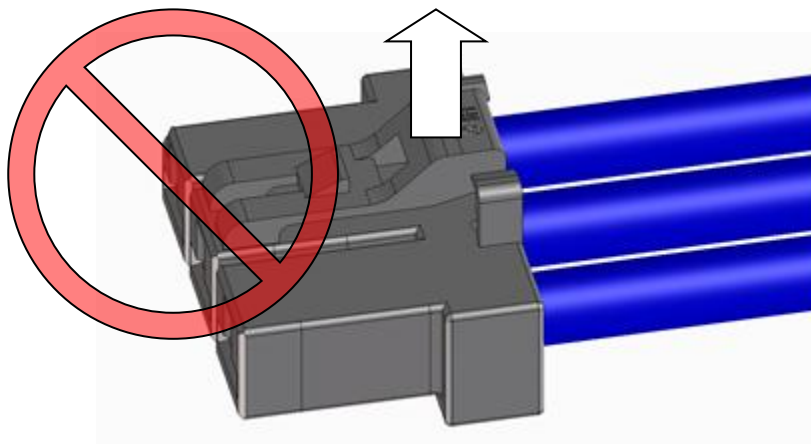


Fig. 8. Prohibited uses (Unmating state)



· Excessive external force applied to connectors could cause fault or damage.

Please be careful not to route the cable in a way that puts a load on the base of the cable, as shown in the diagram below.

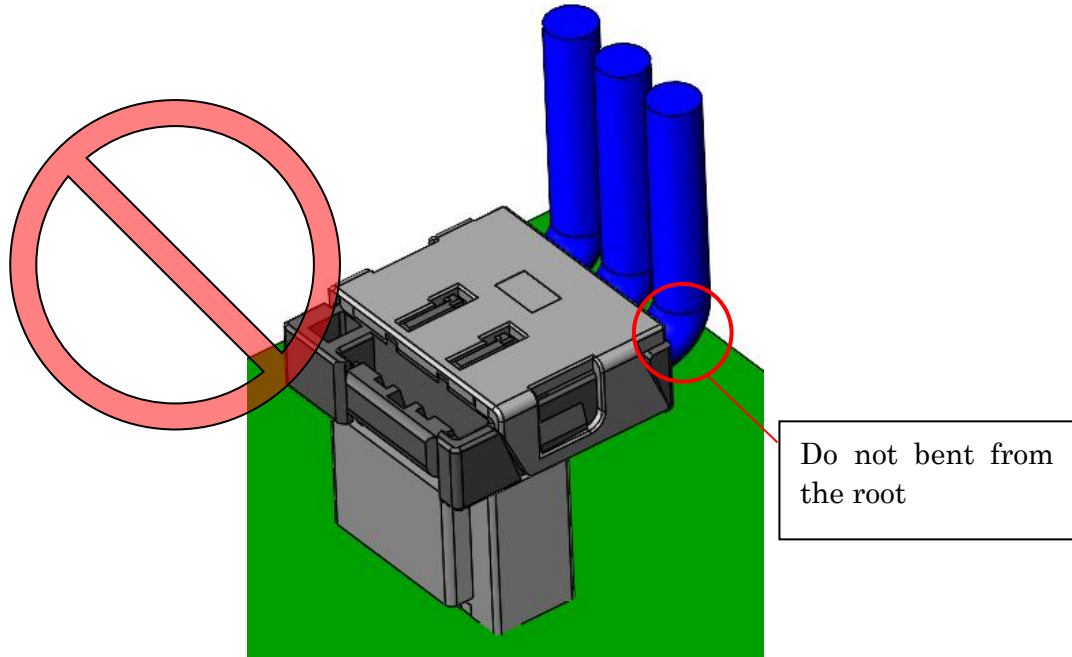


Fig. 9. Prohibited uses (Mating state)