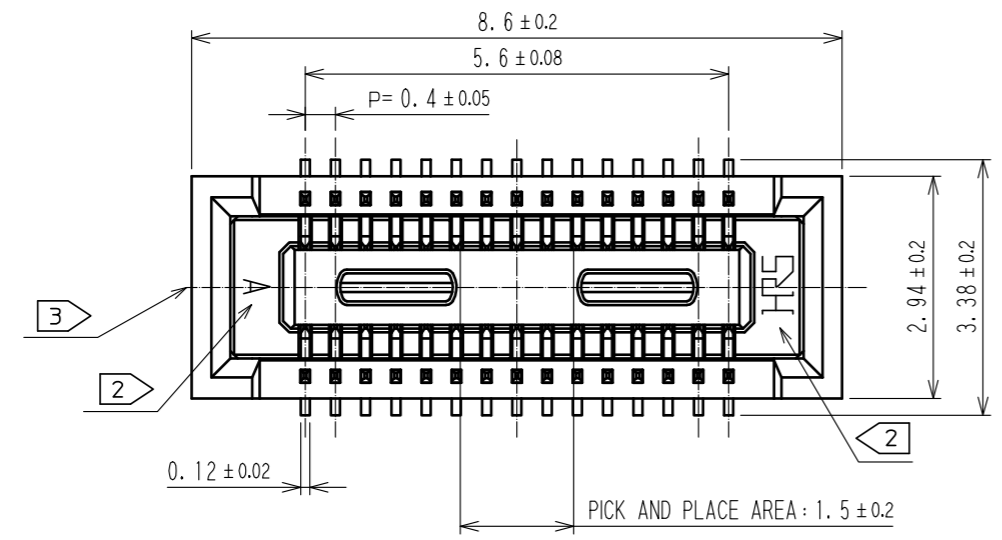
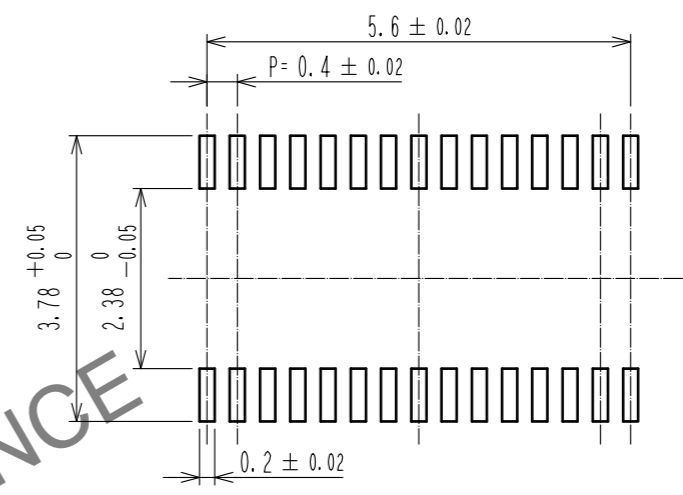


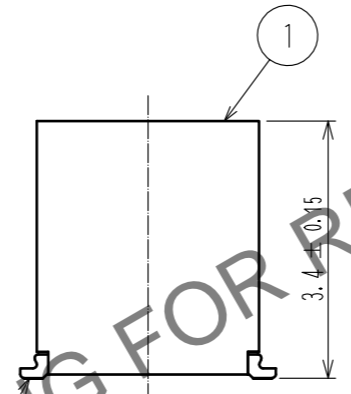
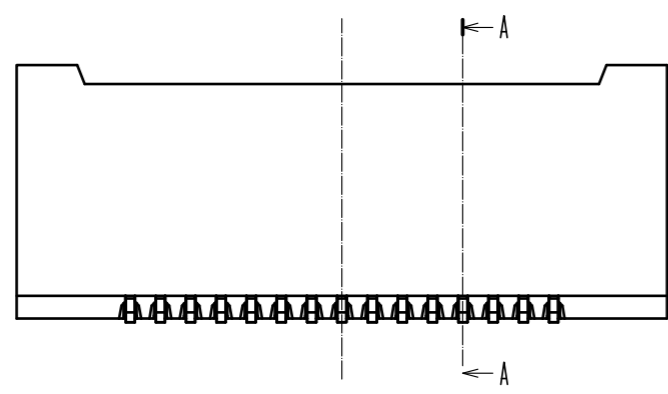
Oct.1.2024 Copyright 2024 HIROSE ELECTRIC CO., LTD. All Rights Reserved.
 In case of consideration for using Automotive equipment / device which demand high reliability, kindly contact our sales window correspondents.



RECOMMENDED PATTERN



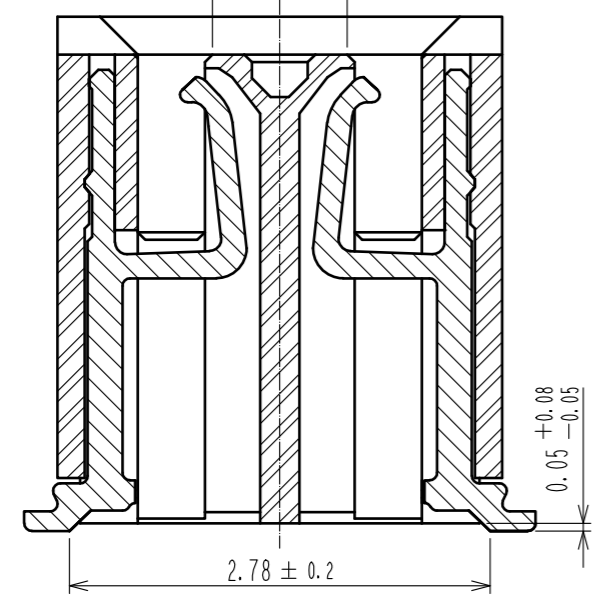
RECOMMENDED METAL MASK THICKNESS : 120 μm
 RECOMMENDED METAL MASK OPENING RATIO : 80% FOR LEAD PAD



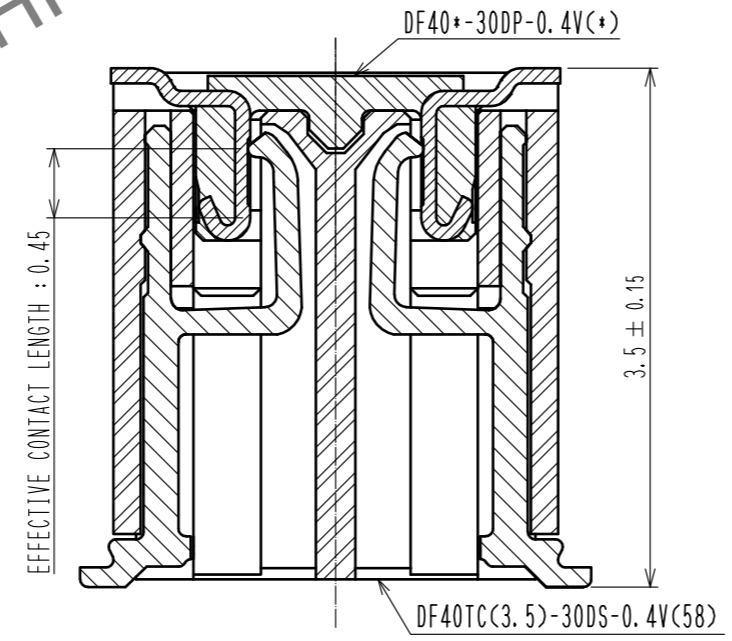
HRS DRAWING FOR REFERENCE

- NOTES) 1. ALL LEADS CO-PLANARITY SHALL BE 0.1 MAX.
 2. HRS MARK AND CAV NO. ARE LOCATED IN APPROXIMAL AREA.
 3. GATE IS LOCATED IN APPROXIMAL AREA.

A-A(20:1)
 PICK AND PLACE AREA : 0.99 ± 0.1



ENGAGEMENT FIGURE (20:1)

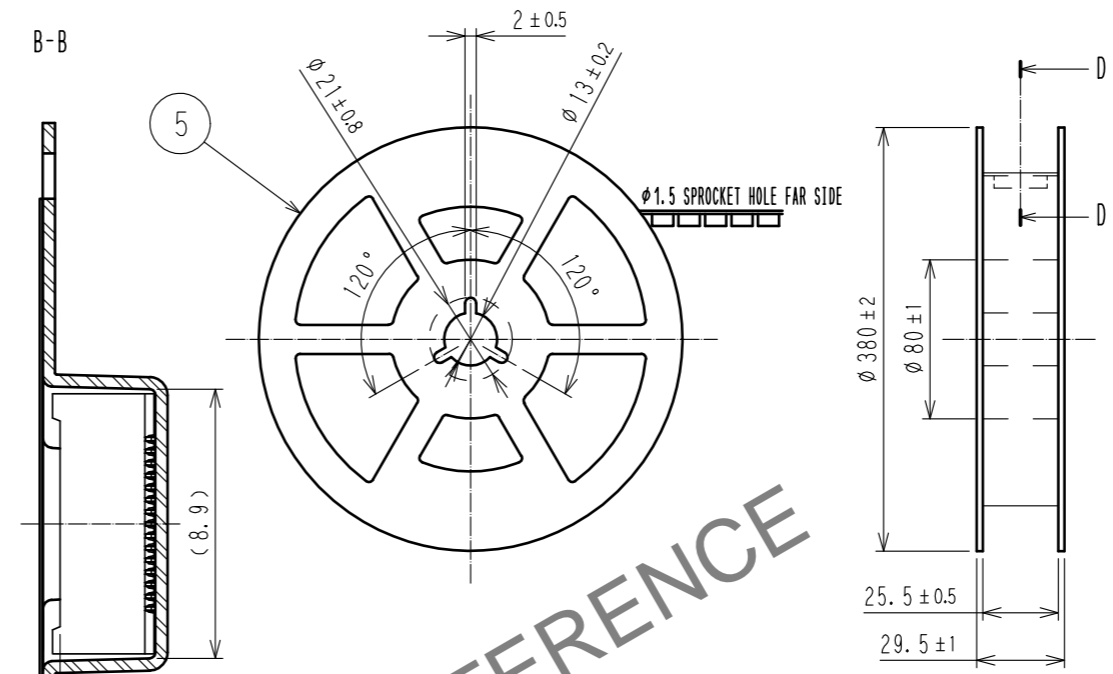
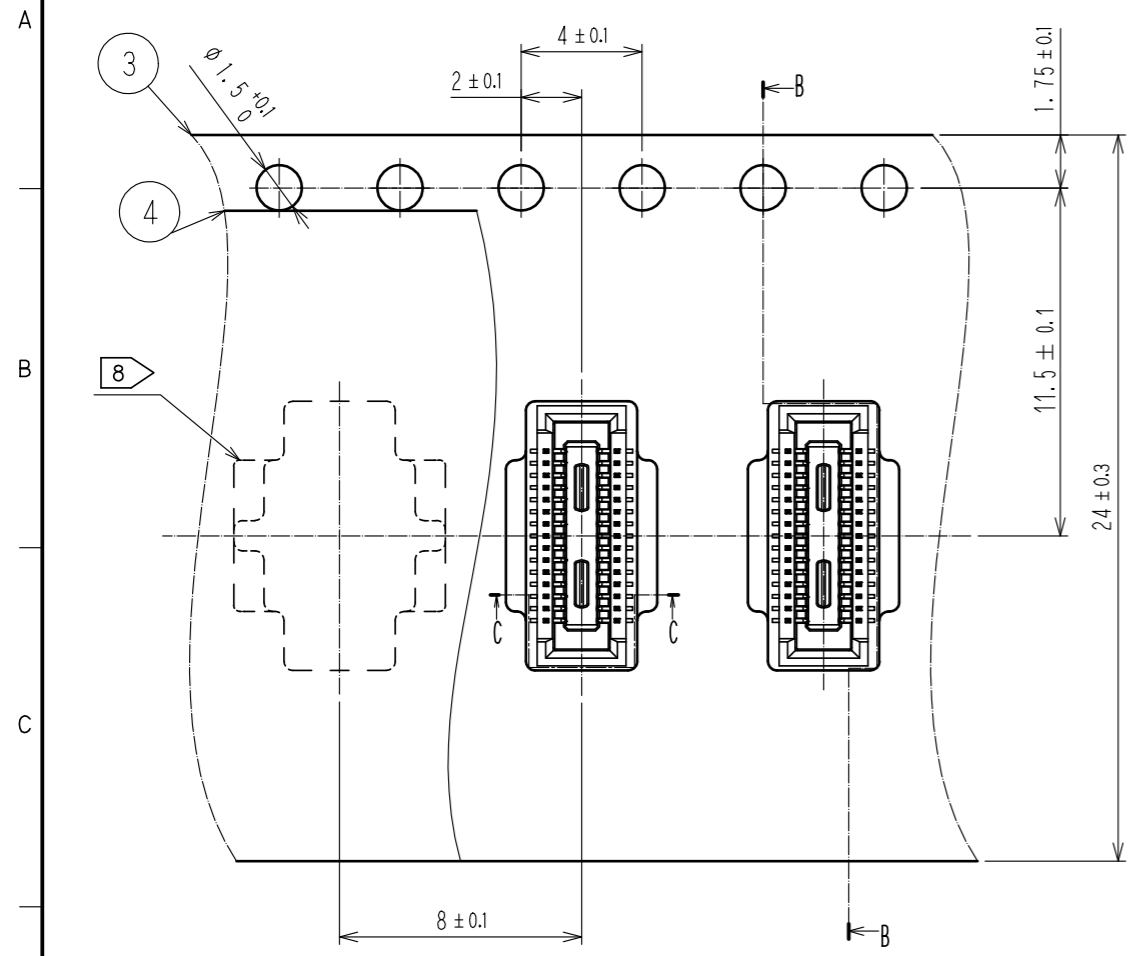


2	COPPER ALLOY	CONTACT AREA:GOLD 0.05 μm MIN SMT LEAD:GOLD 0.05 μm MIN UNDERPLATING:NICKEL 1 μm MIN	6	PS	CLEAR, REINFORCEMENT COLLAR
			5	PS	BLACK
			4	POLYESTER	CLEAR, COVER TAPE
1	LCP	BLACK, UL94V-0	3	PS	CLEAR, EMBOSSED CARRIER TAPE
NO.	MATERIAL	FINISH . REMARKS	NO.	MATERIAL	FINISH . REMARKS
UNITS	⊙	SCALE	COUNT	DESCRIPTION OF REVISIONS	
mm		10: 1	△	DESIGNED	CHECKED
HIROSE ELECTRIC CO., LTD.		APPROVED : WR. FUKUCHI	20210402	DRAWING NO. EDC-380574-58-00	
		CHECED : TS. MIYAZAKI	20210402	PART NO. DF40TC(3.5)-30DS-0.4V(58)	
		DESIGNED : YK. SATAKE	20210402	CODE NO. CL0684-4237-0-58	
		DRAWN : YK. SATAKE	20210402	1/2	

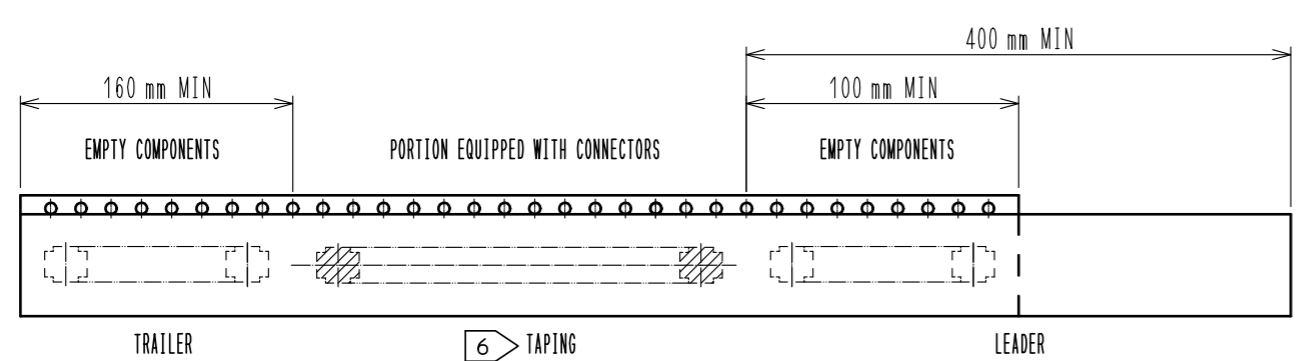
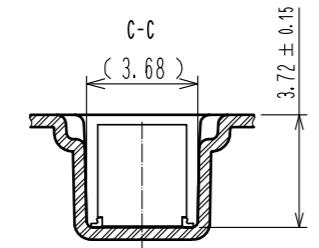
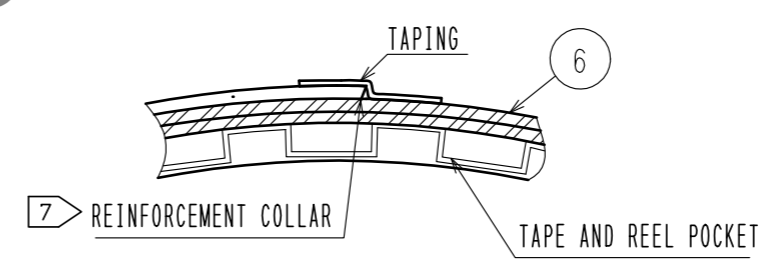
Oct.1.2024 Copyright 2024 HIROSE ELECTRIC CO., LTD. All Rights Reserved.
 In case of consideration for using Automotive equipment / device which demand high reliability, kindly contact our sales window correspondents.

EMBOSSED CARRIER TAPE PACKAGING (FREE)

STYLE AND DIMENSION OF REEL (FREE)



D-D (FREE)



HRS DRAWING FOR REFERENCE

- NOTES
4. PER REEL 1000 CONNECTORS.
 5. THE DIMENSIONS IN PARENTHESES ARE FOR REFERENCE.
 6. REFER TO JIS C 0806(IEC 60286-3)(PACKING OF COMPONENTS FOR AUTOMATIC HANDLING)
 7. AFTER PACKAGING, ROLL 2 METERS OF THE REINFORCEMENT COLLAR TO OUTER CIRCUMFERENCE OF TAPE AND REEL POCKET, AND TAPE DOWN AT THE END THE COLLAR.
 8. ONE OF SEVERAL IS DIFFERENT IN FROM OF THE EMBOSSED CARRIER TAPE TO AVOID BEING STUCK IN.

HRS	DRAWING NO.	EDC-380574-58-00	
	PART NO.	DF40TC(3.5)-30DS-0.4V(58)	
	CODE NO.	CL0684-4237-0-58	2/2