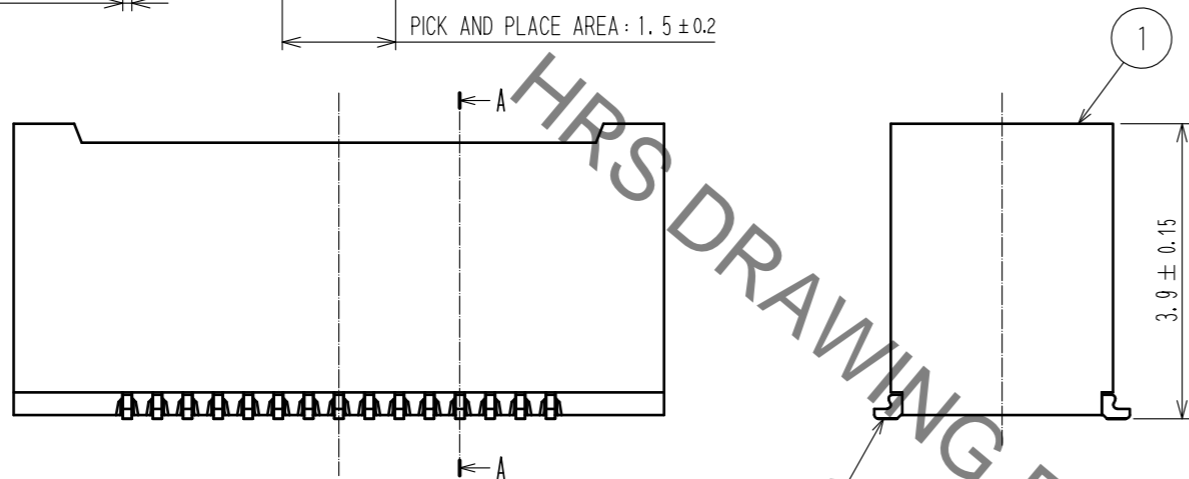
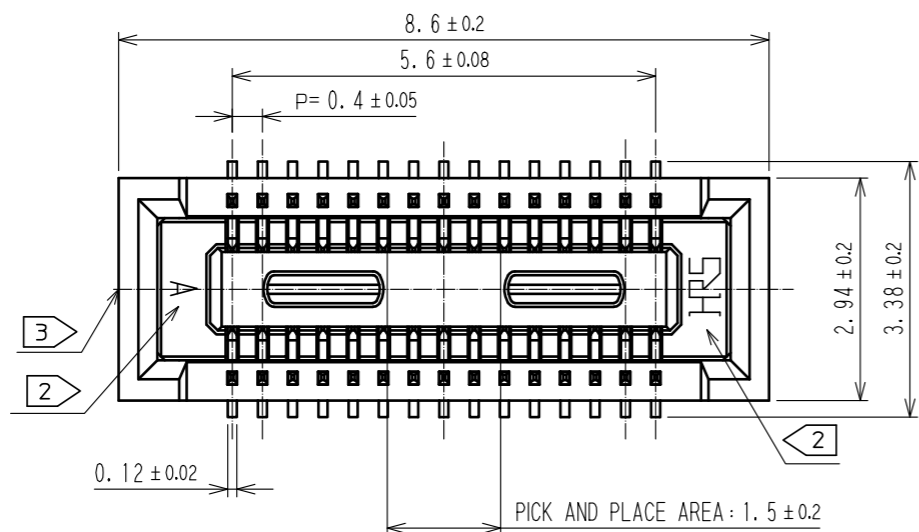
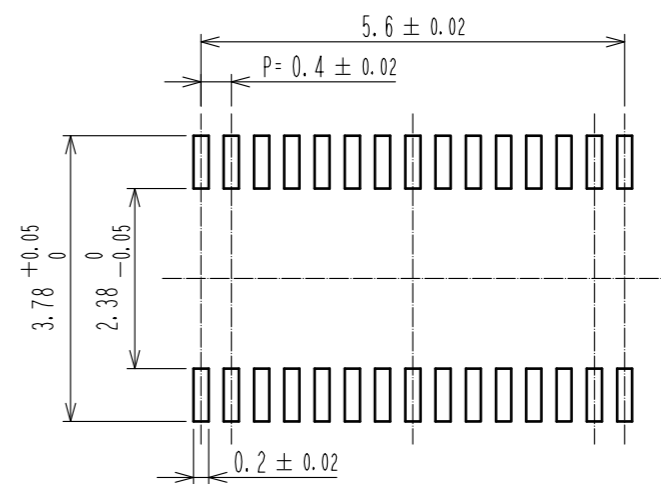


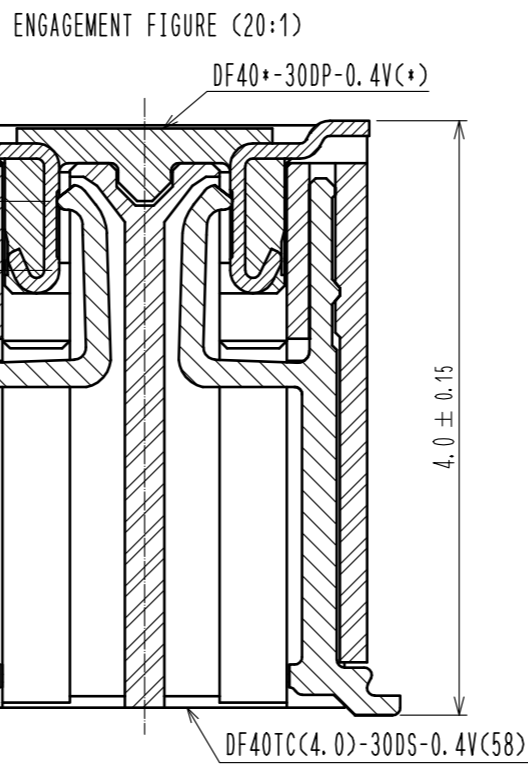
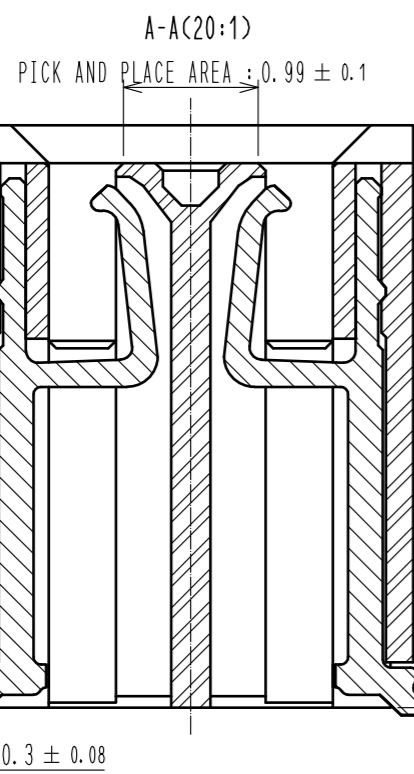
Apr.1.2022 Copyright 2022 HIROSE ELECTRIC CO., LTD. All Rights Reserved.  
 In case of consideration for using Automotive equipment / device which demand high reliability, kindly contact our sales window correspondents.



RECOMMENDED PATTERN



RECOMMENDED METAL MASK THICKNESS : 120 μm  
 RECOMMENDED METAL MASK OPENING RATIO : 80% FOR LEAD PAD

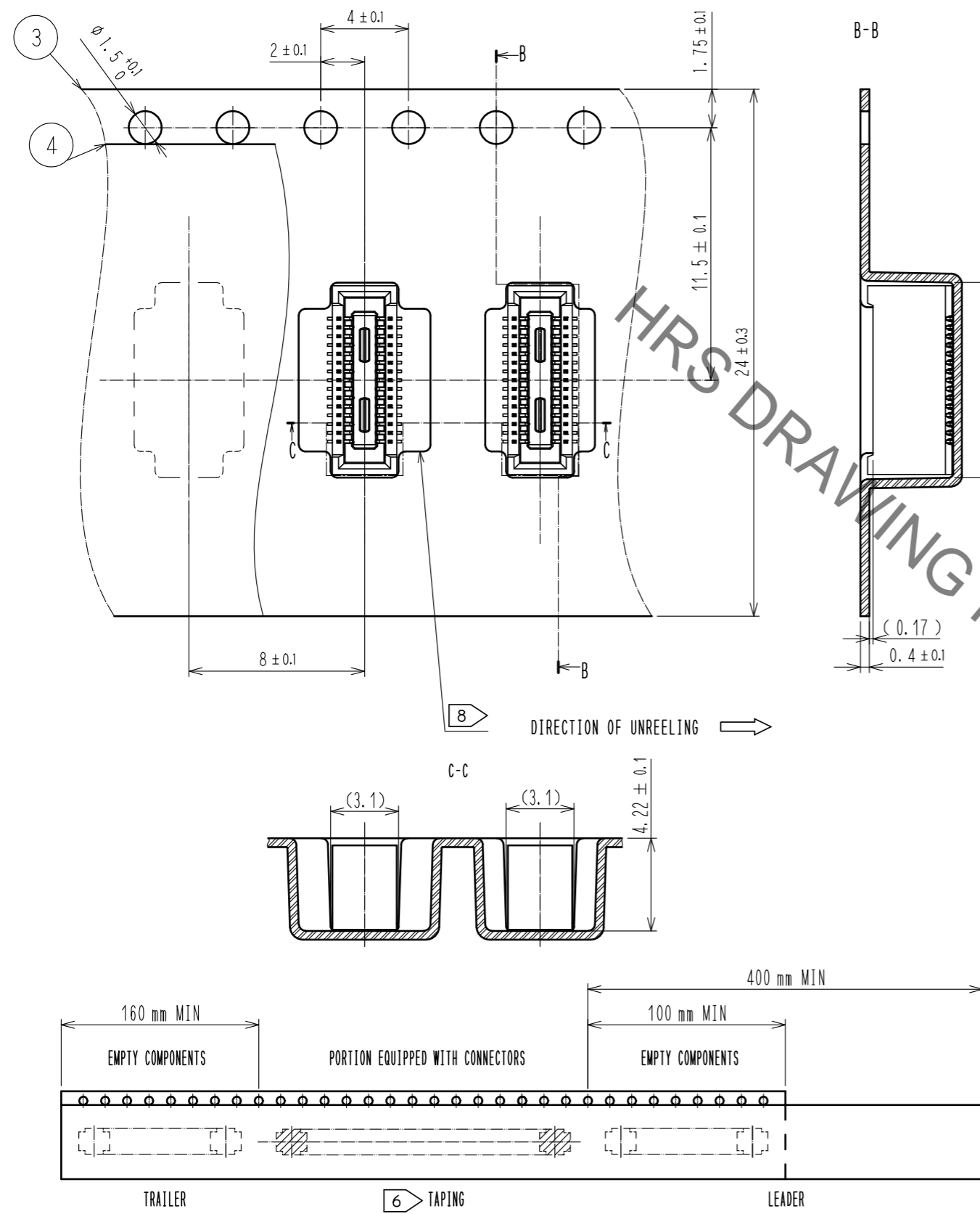


- NOTES) 1. ALL LEADS CO-PLANARITY SHALL BE 0.1 MAX.  
 2. HRS MARK AND CAV NO. ARE LOCATED IN APPROXIMAL AREA.  
 3. GATE IS COCATED IN APPROXIMAL AREA.

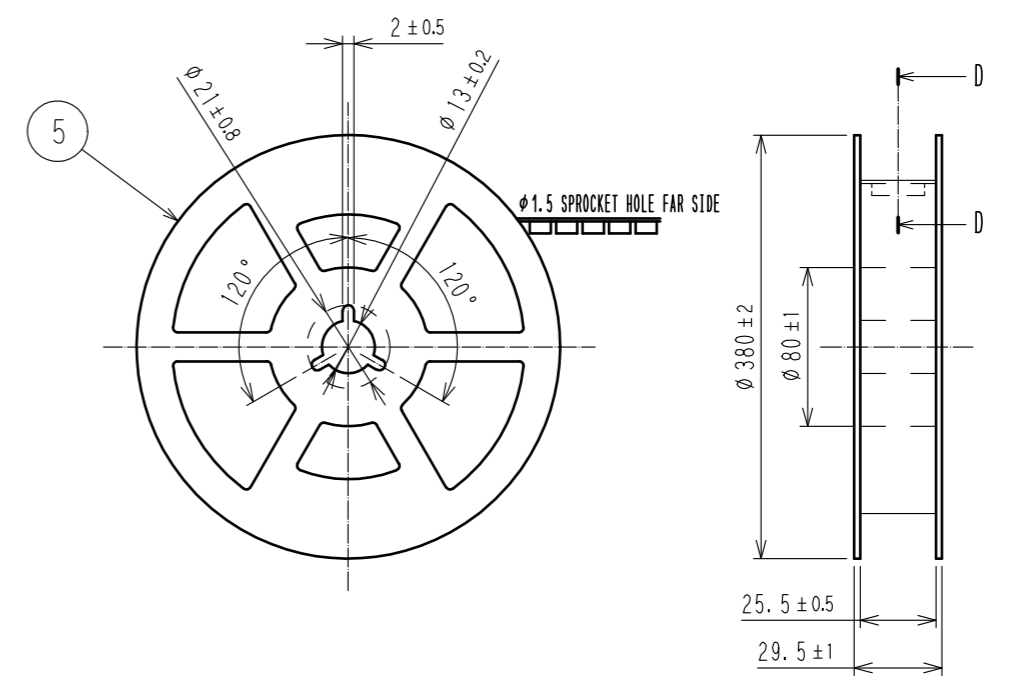
2	COPPER ALLOY	CONTACT AREA:GOLD 0.05 μm MIN SMT LEAD:GOLD 0.05 μm MIN UNDERPLATING:NICKEL 1 μm MIN	6	PS	CLEAR, REINFORCEMENT COLLAR				
			5	PS	BLACK				
			4	POLYESTER	CLEAR, COVER TAPE				
1	LCP	BLACK, UL94V-0	3	PS	CLEAR, EMBOSSED CARRIER TAPE				
NO.	MATERIAL	FINISH, REMARKS	NO.	MATERIAL	FINISH, REMARKS				
UNITS	mm	SCALE	10:1	COUNT	0	DESCRIPTION OF REVISIONS	DESIGNED	CHECKED	DATE
<b>HRS</b> HIROSE ELECTRIC CO., LTD.		APPROVED : WR. FUKUCHI	20210402	DRAWING NO. EDC-386149-58-00					
		CHECED : TS. MIYAZAKI	20210402	PART NO. DF40TC(4.0)-30DS-0.4V(58)					
		DESIGNED : YK. SATAKE	20210402	CODE NO. CL0684-4256-0-58					
		DRAWN : YK. SATAKE	20210402						

Apr.1.2022 Copyright 2022 HIROSE ELECTRIC CO., LTD. All Rights Reserved.  
 In case of consideration for using Automotive equipment / device which demand high reliability, kindly contact our sales window correspondents.

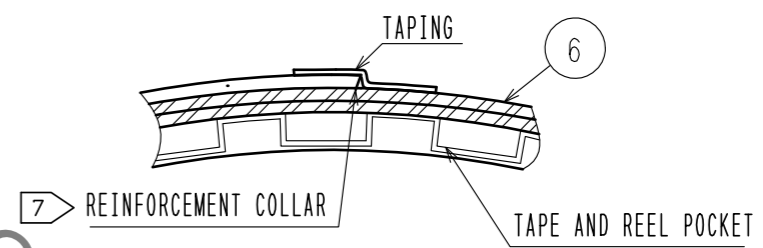
# EMBOSED CARRIER TAPE PACKAGING (FREE)



# STYLE AND DIMENSION OF REEL (FREE)



# D-D (FREE)



- NOTES
- 4. PER REEL 1000 CONNECTORS.
  - 5. THE DIMENSIONS IN PARENTHESES ARE FOR REFERENCE.
  - 6. REFER TO JIS C 0806(IEC 60286-3)(PACKING OF COMPONENTS FOR AUTOMATIC HANDLING)
  - 7. AFTER PACKAGING, ROLL 2 METERS OF THE REINFORCEMENT COLLAR TO OUTER CIRCUMFERENCE OF TAPE AND REEL POCKET, AND TAPE DOWN AT THE END THE COLLAR.
  - 8. ONE OF SEVERAL IS DIFFERENT IN FROM OF THE EMBOSED CARRIER TAPE TO AVOID BEING STUCK IN.

<b>HRS</b>	DRAWING NO.	EDC-386149-58-00
	PART NO.	DF40TC(4.0)-30DS-0.4V(58)
	CODE NO.	CL0684-4256-0-58
		$\triangle$ 2/2