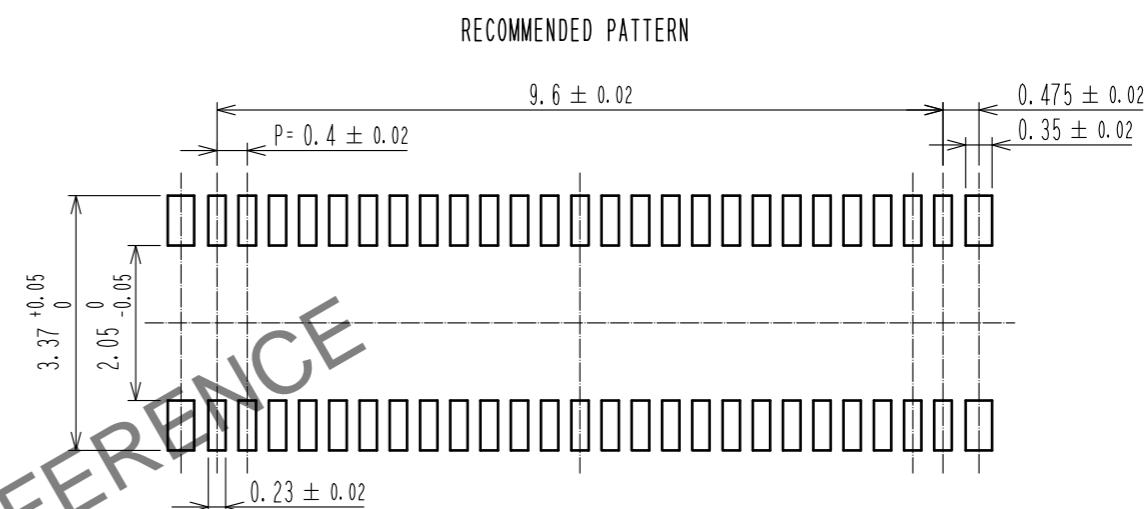
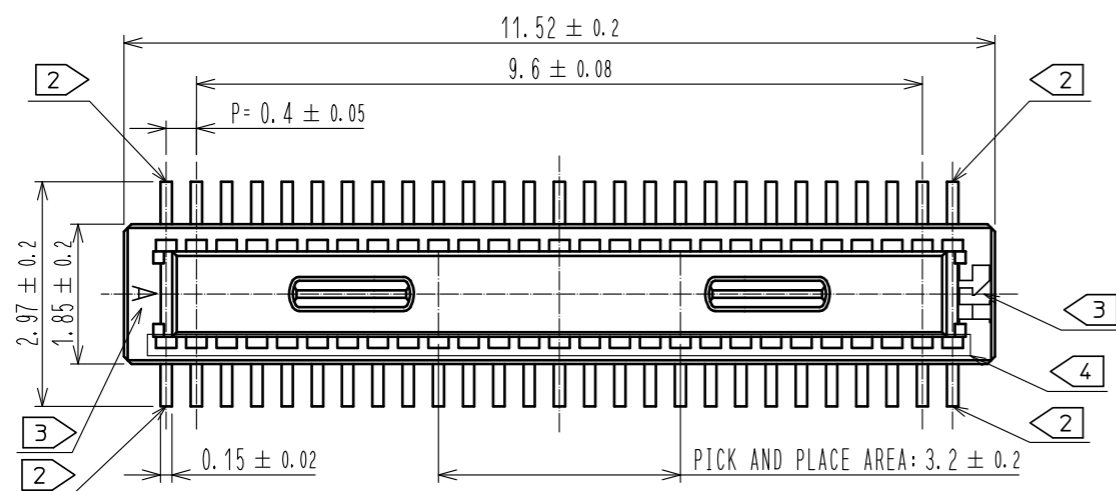
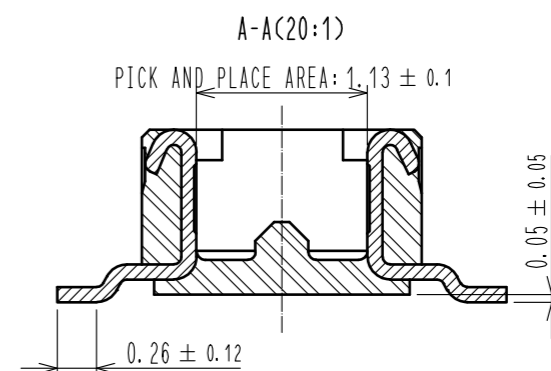
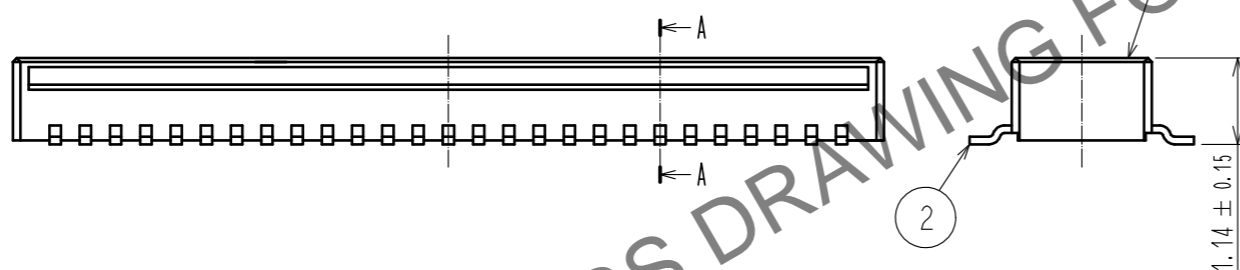


Jan.1.2025 Copyright 2025 HIROSE ELECTRIC CO., LTD. All Rights Reserved.
In case of consideration for using Automotive equipment / device which demand high reliability, kindly contact our sales window correspondents.



RECOMMENDED METAL MASK THICKNESS: 120 μm
RECOMMENDED METAL MASK OPENING RATIO: 80% FOR LEAD PAD



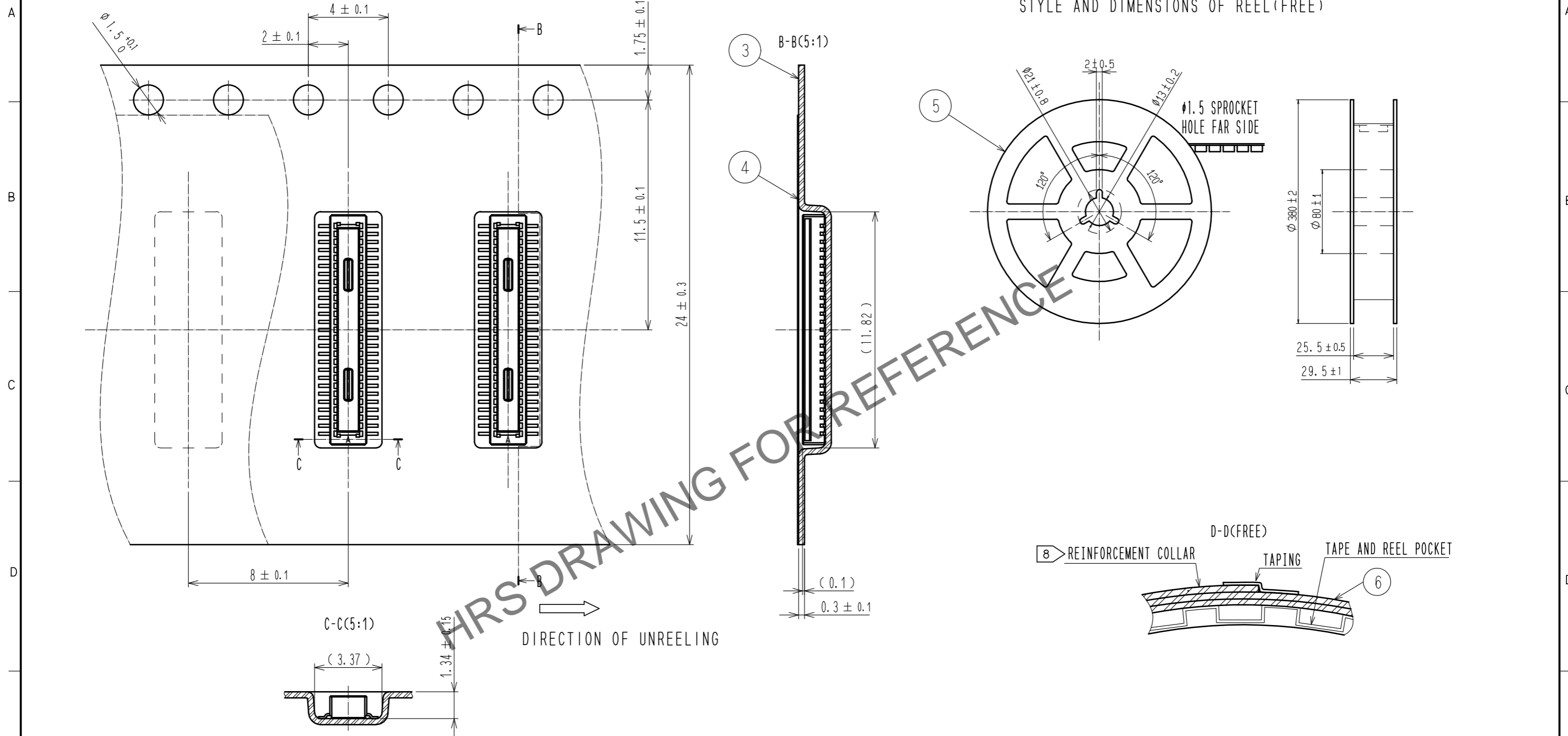
- NOTES)
- 1. ALL LEADS CO-PLANARITY SHALL BE 0.1mm MAX.
 - 2. EACH ONE CONTACT AT 4 CORNERS SHALL BE METAL HOLD DOWN.
 - 3. HRS MARK AND CAV NO. IS INDICATED IN APPROXI POSITION SHOWN.
 - 4. THERE IS A POSSIBILITY THAT THE RESIN WILL BE EXPOSED AT THIS AREA. BUT THIS WILL NOT AFFECT THE CONTACT RELIABILITY.

2	COPPER ALLOY	CONTACT AREA: GOLD 0.05 μm MIN SMT LEAD: GOLD 0.05 μm MIN UNDERPLATING: NICKEL 1 μm MIN	6	PS	CLEAR, REINFORCEMENT COLLAR
			5	PS	BLACK
			4	POLYESTER	CLEAR, COVER TAPE
1	LCP	BLACK, UL94V-0	3	PS	CLEAR, EMBOSSED CARRIER TAPE
NO.	MATERIAL	FINISH . REMARKS	NO.	MATERIAL	FINISH . REMARKS
UNITS mm		SCALE 10:1	COUNT	DESCRIPTION OF REVISIONS	
				DESIGNED	CHECKED
				DATE	
APPROVED : WR. FUKUCHI 20210303			DRAWING NO. EDC-386792-58-00		
CHECKED : TS. MIYAZAKI 20210303			PART NO. DF40TC-50DP-0.4V(58)		
DESIGNED : YK. SATAKE 20210303			CODE NO. CL0684-4268-0-58		
DRAWN : YK. SATAKE 20210303					

Jan.1.2025 Copyright 2025 HIROSE ELECTRIC CO., LTD. All Rights Reserved.
 In case of consideration for using Automotive equipment / device which demand high reliability, kindly contact our sales window correspondents.

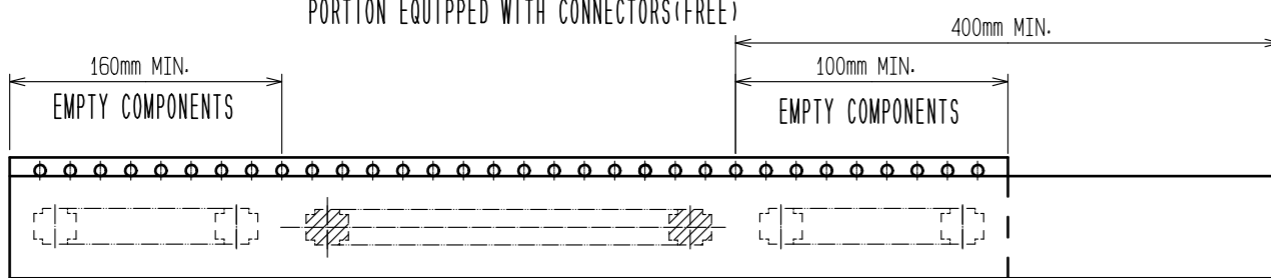
EMBOSSED CARRIER TAPE PACKAGING(5:1)

STYLE AND DIMENSIONS OF REEL(FREE)



DIRECTION OF UNREELING

PORTION EQUIPPED WITH CONNECTORS(FREE)



- NOTES
5. PER REEL 1000 CONNECTORS.
 6. THE DIMENSIONS IN PARENTHESES ARE FOR REFERENCE.
 7. REFER TO JIS C 0806. IEC-60286 (PACKING OF COMPONENTS FOR AUTOMATIC HANDLING)
 8. AFTER PACKAGING. ROLL 2 METERS OF THE REINFORCEMENT COLLAR TO OUTER CIRCUMFERENCE OF TAPE AND REEL POCKET. AND TAPE DOWN AT THE END THE COLLAR.

HRS	DRAWING NO.	EDC-386792-58-00
	PART NO.	DF40TC-50DP-0.4V(58)
	CODE NO.	CL0684-4268-0-58
		2/2