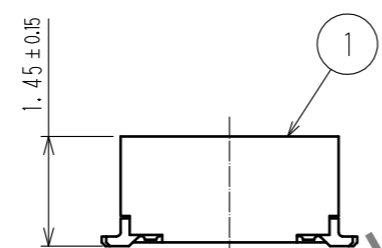
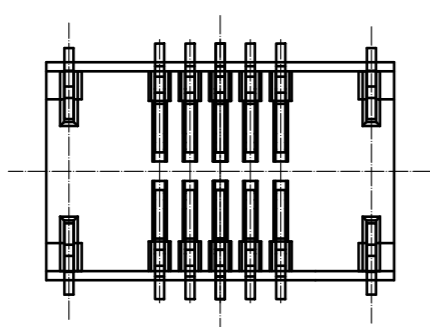
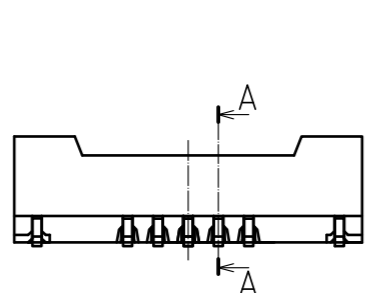
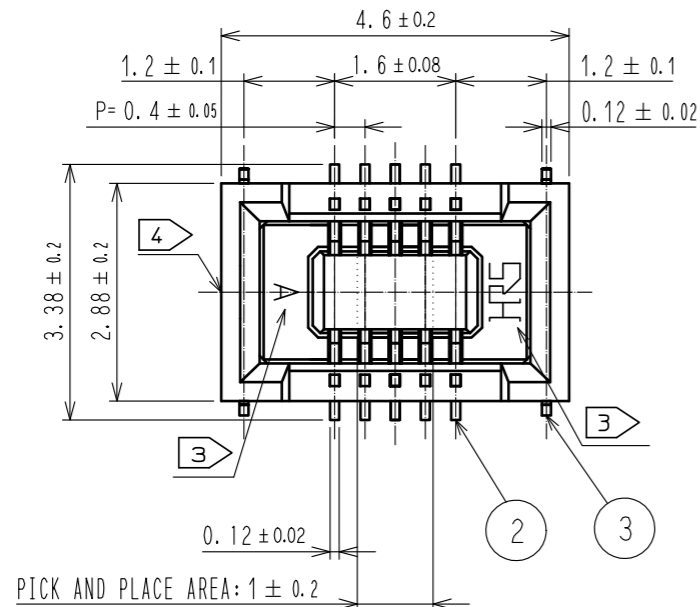
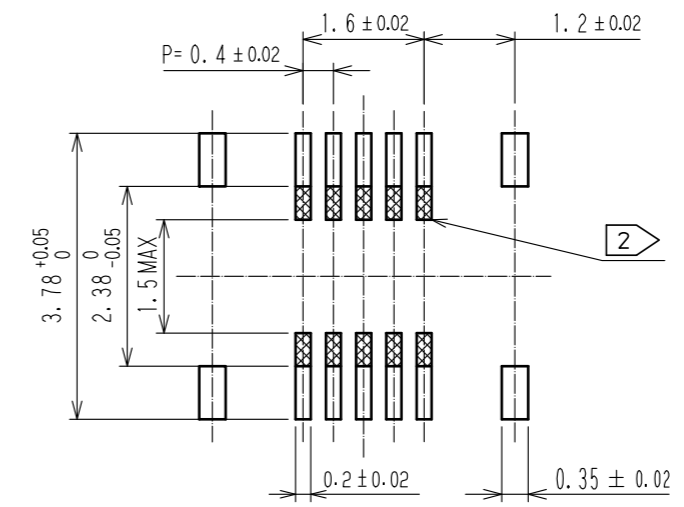


Sep.1.2024 Copyright 2024 HIROSE ELECTRIC CO., LTD. All Rights Reserved.
In case of consideration for using Automotive equipment / device which demand high reliability, kindly contact our sales window correspondents.

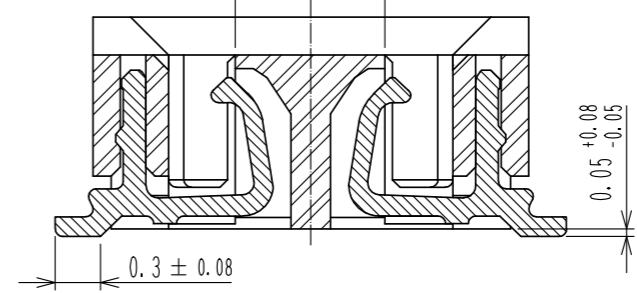


RECOMMENDED PATTERN

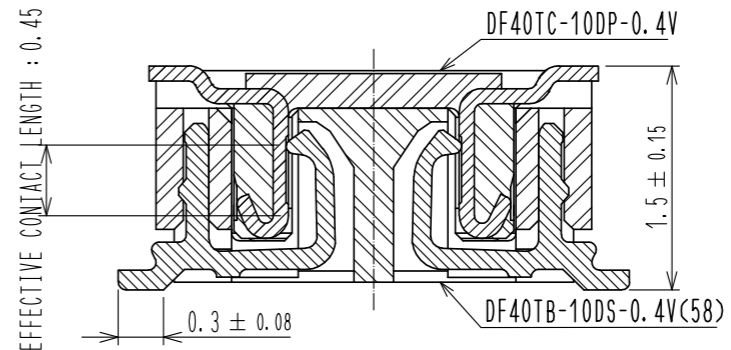


RECOMMENDED METAL MASK THICKNESS : 120#m
RECOMMENDED MASK OPENING RATIO : 80% FOR LEAD PAD

A-A(20:1)
PICK AND PLACE AREA : 0.99 ± 0.1



ENGAGEMENT FIGURE (20:1)



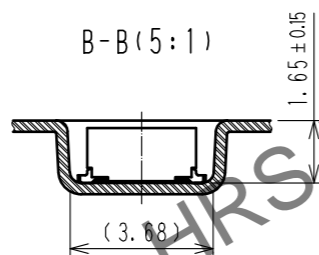
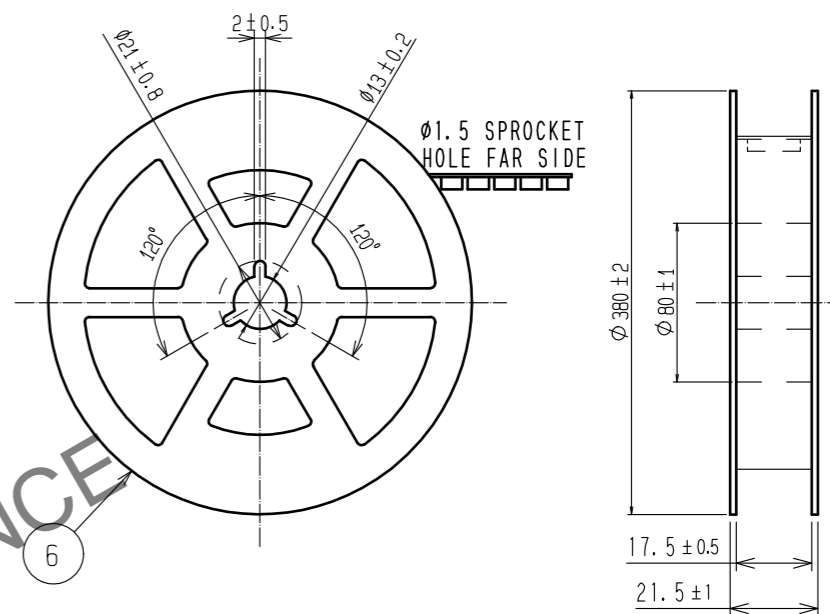
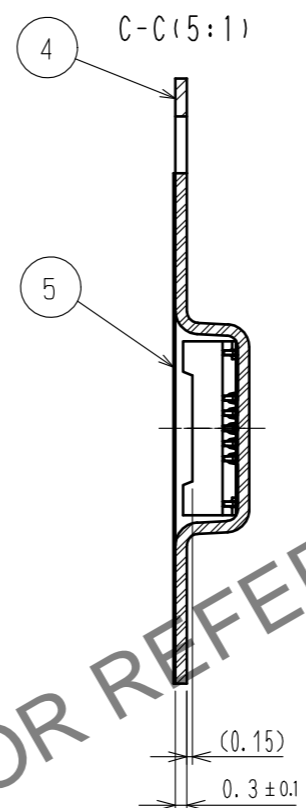
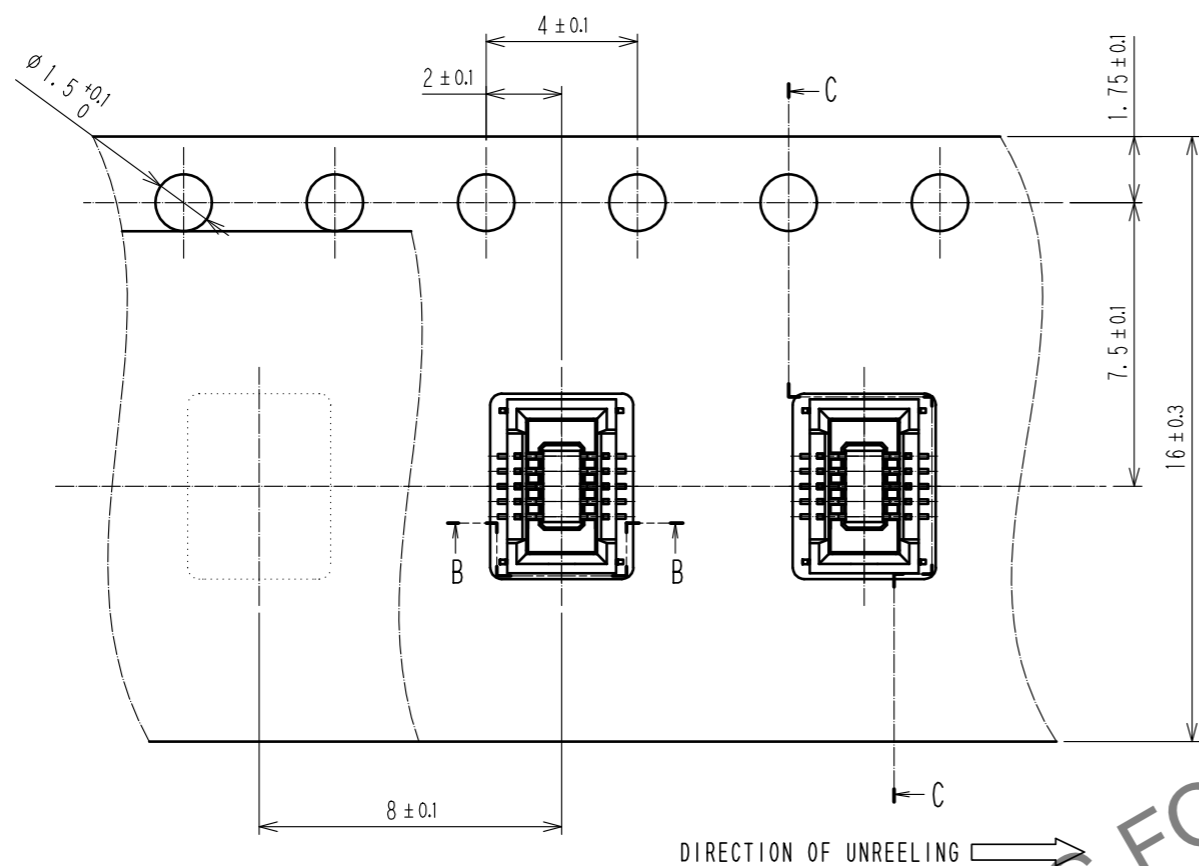
NOTE 1. ALL LEADS CO-PLANARITY SHALL BE 0.1 MAX.
 2. IS NO PATTERN AREA OTHER THAN THE SAME CIRCUIT.
 3. HRS MARK AND CAV NO. ARE INDICATED IN APPROX. POSITION SHOWN.
 4. GATE IS LOCATED IN APPROXIMAL AREA.

3	COPPER ALLOY	GOLD 0.05#m MIN UNDERPLATING-NICKEL 1#m MIN	7	PS	CLEAR-REINFORCEMENT COLLAR
2	COPPER ALLOY	GOLD 0.05#m MIN UNDERPLATING-NICKEL 1#m MIN	6	PS	BLACK-PLASTIC REEL
			5	POLYESTER	CLEAR-COVER TAPE
1	LCP	UL94V-0-BLACK	4	PS	CLEAR(EMBOSSED CARRIER TAPE)
NO.	MATERIAL	FINISH , REMARKS	NO.	MATERIAL	FINISH , REMARKS
UNITS mm		SCALE 10:1	COUNT	DESCRIPTION OF REVISIONS	
DESIGNED		CHECKED		DATE	
APPROVED : WR. FUKUCHI 20210303			DRAWING NO. EDC-388250-58-00		
CHECED : TS. MIYAZAKI 20210303			PART NO. DF40TB-10DS-0.4V(58)		
DESIGNED : YK. SATAKE 20210303			CODE NO. CL0684-4273-0-58		
DRAWN : YK. SATAKE 20210303			1/2		

Sep.1.2024 Copyright 2024 HIROSE ELECTRIC CO., LTD. All Rights Reserved.
In case of consideration for using Automotive equipment / device which demand high reliability, kindly contact our sales window correspondents.

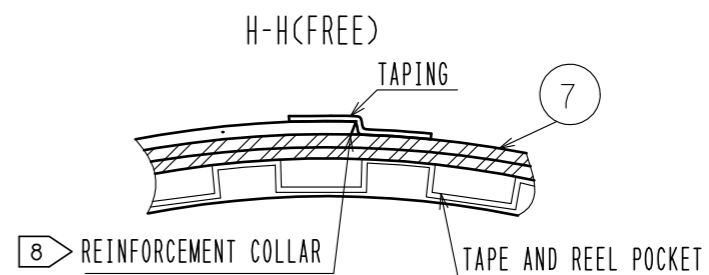
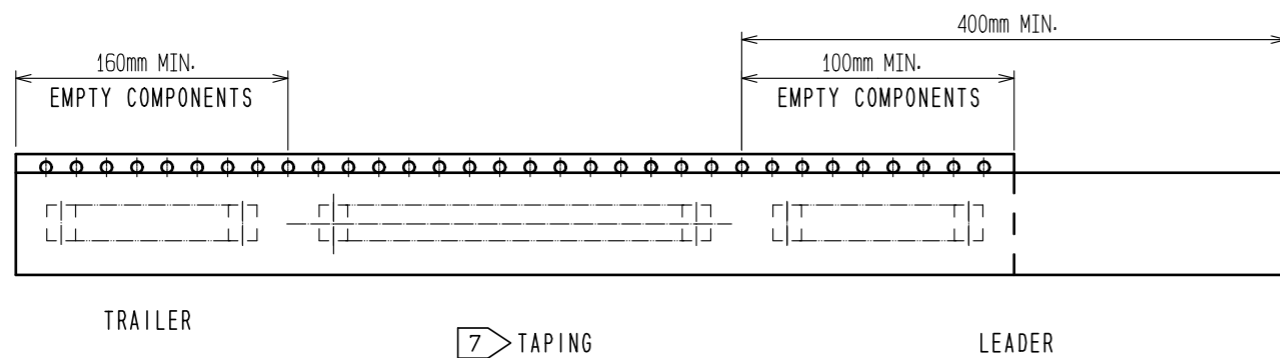
EMBOSSED CARRIER TAPE PACKAGING (5:1)

STYLE AND DIMENSIONS OF REEL (FREE)



- NOTES
- 5. PER REEL 1000 CONNECTORS.
 - 6. THE DIMENSIONS IN PARENTHESES ARE FOR REFERENCE.
 - 7. REFER TO JIS C 0806 (PACKING OF COMPONENTS FOR AUTOMATIC HANDLING)
 - 8. AFTER PACKAGING, ROLL 2 METERS OF THE REINFORCEMENT COLLAR TO OUTER CIRCUMFERENCE OF TAPE AND REEL POCKET, AND TAPE DOWN AT THE END THE COLLAR.

PORTION EQUIPPED WITH CONNECTORS (FREE)



HRS	DRAWING NO.	EDC-388250-58-00
	PART NO.	DF40TB-10DS-0.4V(58)
	CODE NO.	CL0684-4273-0-58
		2/2