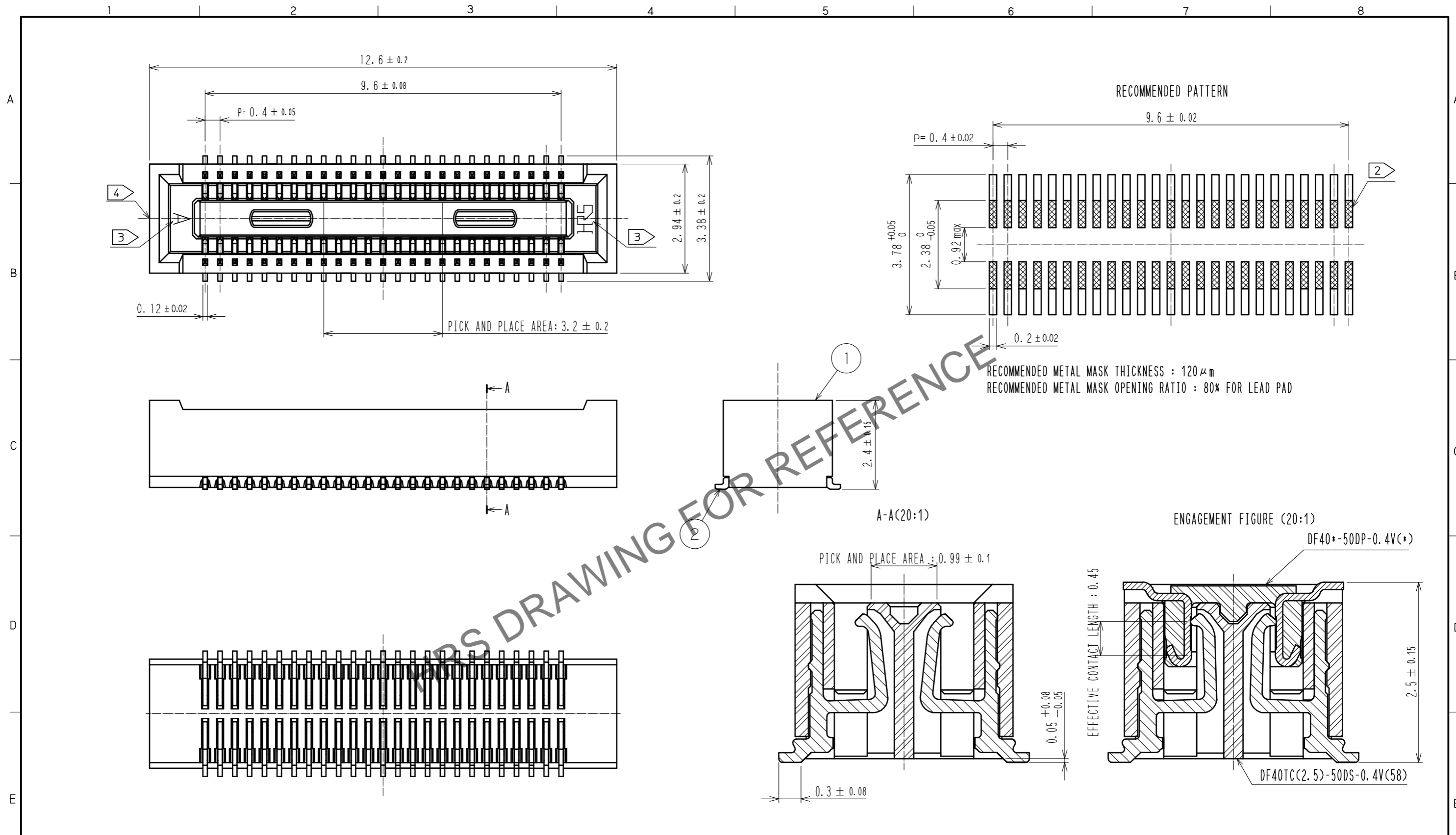


Nov.1.2024 Copyright 2024 HIROSE ELECTRIC CO., LTD. All Rights Reserved.
In case of consideration for using Automotive equipment / device which demand high reliability, kindly contact our sales window correspondents.



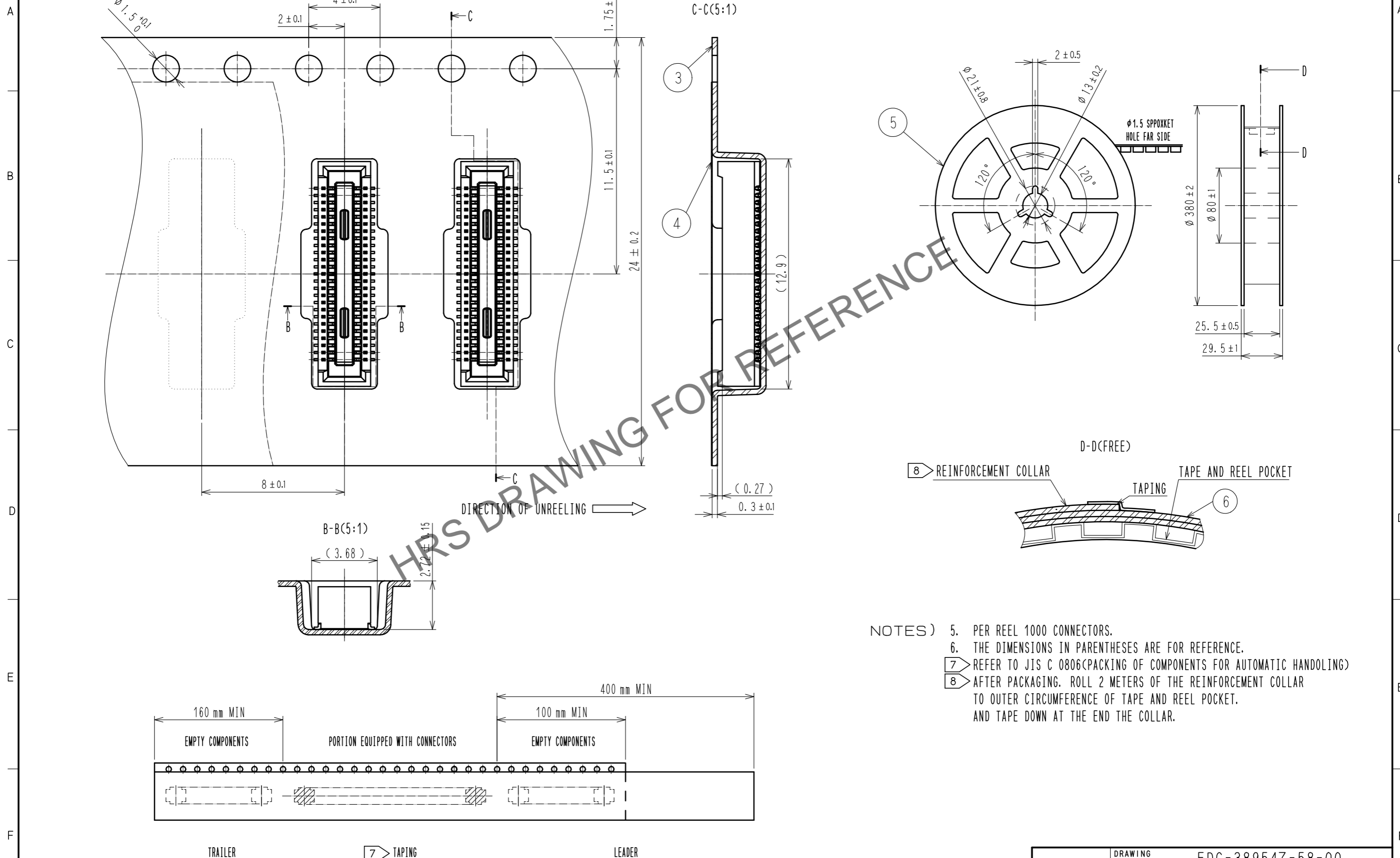
NOTE 1. ALL LEADS CO-PLANARITY SHALL BE 0.1 MAX.
 2 IS NO PATTERN AREA OTHER THAN THE SAME CIRCUIT.
 3 HRS MARK AND CAV NO. IS INDICATED IN APPROXI POSITION SHOWN.
 4 GATE POSITION IS POSITIONED IN APPROXIMAL AREA SHOWN.

| 2 | COPPER ALLOY | CONTACT AREA: GOLD $0.05 \mu\text{m}$ MIN | 5 | PS | BLACK | | | |
|---------------------------------|--------------|---|------------------------------------|--------------------------|------------------------------|----------|---------|------|
| | | SMT LEAD: GOLD $0.05 \mu\text{m}$ MIN | | | | | | |
| | | UNDERPLATING: NICKEL $1 \mu\text{m}$ MIN | | | | | | |
| 1 | LCP | BLACK, UL94V-0 | 3 | PS | CLEAR, EMBOSSED CARRIER TAPE | | | |
| NO. | MATERIAL | FINISH . REMARKS | NO. | MATERIAL | FINISH . REMARKS | | | |
| UNITS mm | | SCALE 10 : 1 | COUNT | DESCRIPTION OF REVISIONS | | DESIGNED | CHECKED | DATE |
| APPROVED : WR. FUKUCHI 20210402 | | | DRAWING NO. EDC-389547-58-00 | | | | | |
| CHECKED : TS. MIYAZAKI 20210402 | | | PART NO. DF40TC(2.5)-50DS-0.4V(58) | | | | | |
| DESIGNED : YK. SATAKE 20210402 | | | CODE NO. CL0684-4279-0-58 | | | | | |
| DRAWN : YK. SATAKE 20210402 | | | | | | | | |

Nov.1.2024 Copyright 2024 HIROSE ELECTRIC CO., LTD. All Rights Reserved.
In case of consideration for using Automotive equipment / device which demand high reliability, kindly contact our sales window correspondents.

EMBOSSED CARRIER TAPE PACKAGING (5:1)

STYLE AND DIMENSION OF REEL (FREE)



- NOTES)
5. PER REEL 1000 CONNECTORS.
 6. THE DIMENSIONS IN PARENTHESES ARE FOR REFERENCE.
 7. REFER TO JIS C 0806(PACKING OF COMPONENTS FOR AUTOMATIC HANDLING)
 8. AFTER PACKAGING, ROLL 2 METERS OF THE REINFORCEMENT COLLAR TO OUTER CIRCUMFERENCE OF TAPE AND REEL POCKET, AND TAPE DOWN AT THE END THE COLLAR.

| | | |
|------------|-------------|---------------------------|
| HRS | DRAWING NO. | EDC-389547-58-00 |
| | PART NO. | DF40TC(2.5)-50DS-0.4V(58) |
| | CODE NO. | CL0684-4279-0-58 |
| | | \triangle 2/2 |