

Mar.1.2026 Copyright 2026 HIROSE ELECTRIC CO., LTD. All Rights Reserved.
 In case of consideration for using Automotive equipment / device which demand high reliability, kindly contact our sales window correspondents.

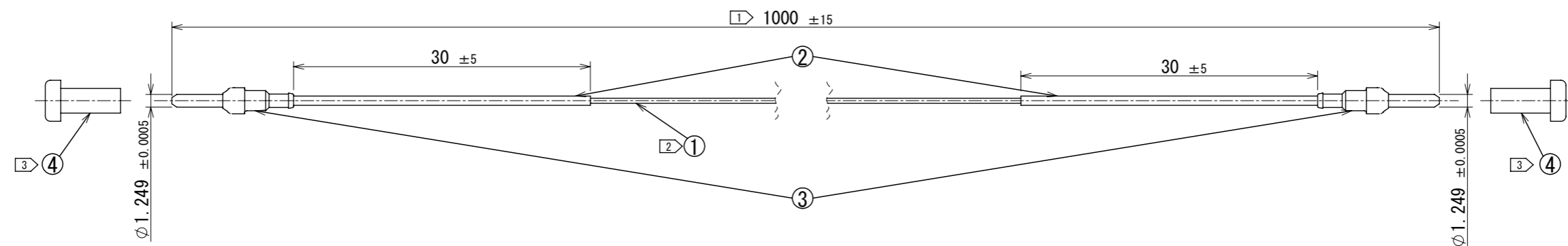


Table 1. Parts list

No.	Parts name	Details	NOTE
①	Optical fiber	Fiber : Silica glass Coating ②: UV curable resin/Fluorinated resin	Outer dia.: $\phi 0.5$ Fiber type: GI 50/80 Color : Red
②	Hytel tubing	Tubing : TPEE	-
③	LC ferrule	Ferrule : ZrO ₂ Flange : Brass	Optical fiber type: GI 50/80
④	Cap	Cap : TPC	For LC ferrule Color : Black

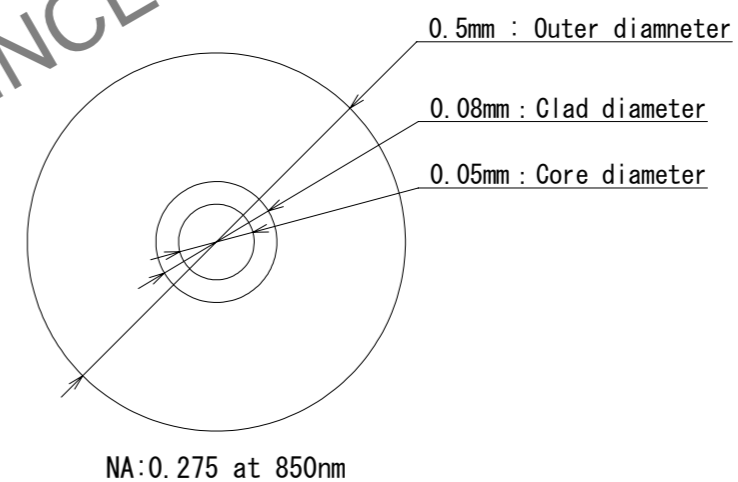


Figure 1. Cross section of the fiber

- Note
- ① Please contact our sales representative for individual requirements regarding cable tolerances.
 - ② The optical fiber coating contains dibutyltin components (DBT) less than 1000ppm as an intentionally-doped catalyser. REACH regulations restricts 1000ppm exceeding DBT.
 - ③ This product shall be shipped with a cap attached to the LC ferrule and packaged in the anti-static bag.
 - ④ Figure 1 shows the cross section of the fiber.
 - ⑤ Table 1 shows the parts list.

△ CAD change

NO.	MATERIAL	FINISH	REMARKS	NO.	MATERIAL	FINISH	REMARKS	
UNITS		SCALE	COUNT	DESCRIPTION OF REVISIONS		DESIGNED	CHECKED	DATE
mm		2:1	1	DIS-K-00009116		SI. MATSUMOTO	TS. YAMAZAKI	2023. 05. 30
		HIROSE ELECTRIC CO., LTD.		APPROVED	YY. HIYAMA	2022. 11. 16	DRAWING NO. EDC-400163-00-00	
				CHECKED	TS. YAMAZAKI	2022. 11. 16	PART NO. FJLN-LN-M0801-1M	
				DESIGNED	SI. MATSUMOTO	2022. 11. 16	CODE NO. CL0719-1500-0-00	
				DRAWN	SK. Aoyama	2022. 11. 16		