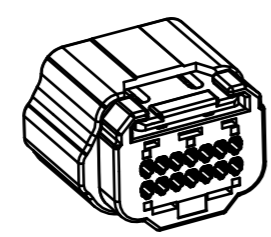
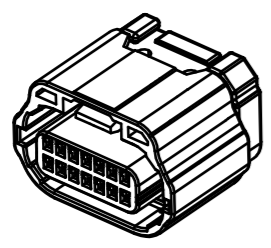
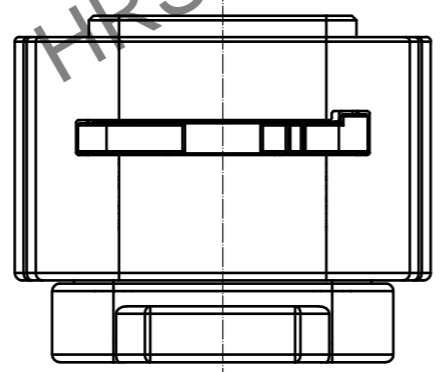
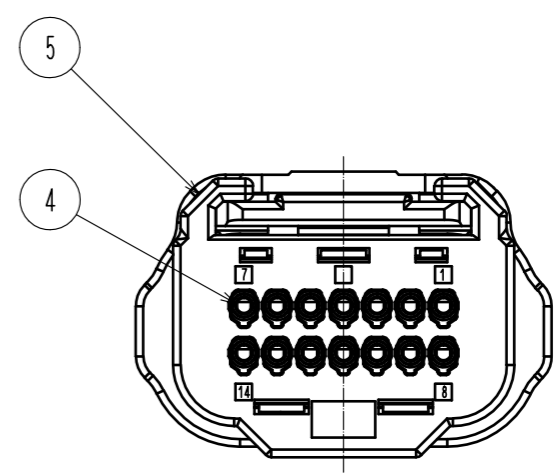
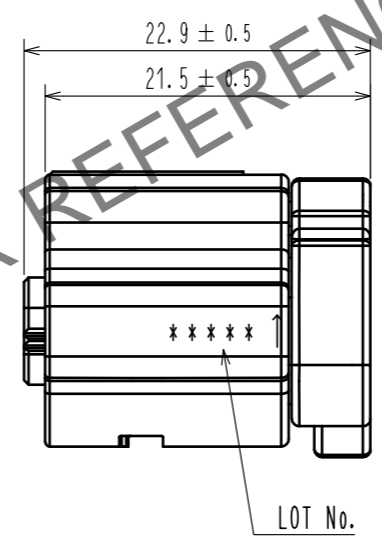
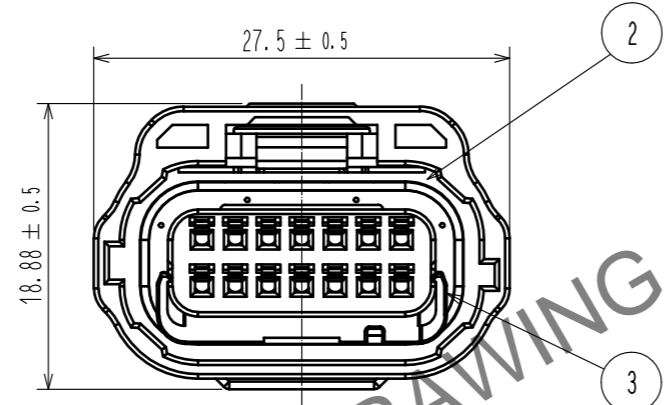
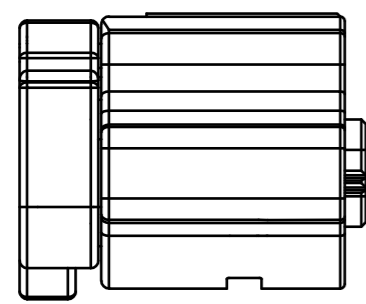
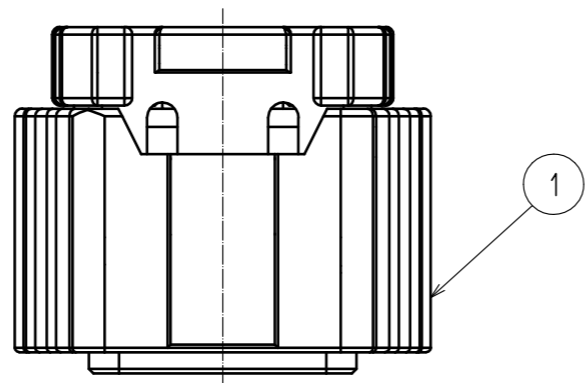
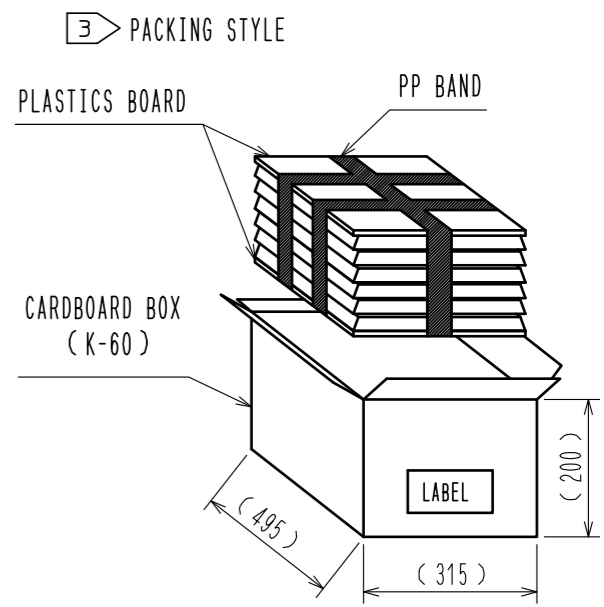


Oct.1.2024 Copyright 2024 HIROSE ELECTRIC CO., LTD. All Rights Reserved.  
 In case of consideration for using Automotive equipment / device which demand high reliability, kindly contact our sales window correspondents.

ELV, RoHS COMPLIANT DELETE PAGES 2-5



- NOTE1. APPLICABLE MATING CONNECTOR : ZE064W-14DP-HU/R(B)  
 2. THE APPLICABLE PARTS ARE AS FOLLOWS.  
 CRIMP CONTACT : ZE064-2022SCF  
 WATERPROOF CAP : ZE064W-WCP(2022)  
 MAXIMUM NUMBER OF PRODUCT PER BOX: 96 PCS PER TRAY × 5 LAYERS = 480 PCS.  
 PUT AN EMPTY TRAY ON THE TOP ROW.  
 4. BEFORE USE, BE SURE TO REFER TO THE INSTRUCTION MANUAL ETAD-T0644-00.

NO.	MATERIAL	FINISH . REMARKS	NO.	MATERIAL	FINISH . REMARKS
3	PA	BEIGE, UL94 V-0	5	PBT	GRAY, UL94 V-0
2	SILICONE	RED, OIL BLEEDING	4	SILICONE	RED, OIL BLEEDING
1	PA	GRAY, UL94 V-0			

UNITS	SCALE	COUNT	DESCRIPTION OF REVISIONS	DESIGNED	CHECKED	DATE
mm	2 : 1	4	DIS-T-00016744	TY. MOGI	AH. EDASHIGE	20230124

<b>HRS</b> HIROSE ELECTRIC CO., LTD.	APPROVED : HK. UMEHARA 20190108	DRAWING NO. EDC-378451-00-00
	CHECKED : HK. UMEHARA 20190108	PART NO. ZE064W-14DS-HU/R(B)
	DESIGNED : HH. TSUKUMO 20190108	CODE NO. CL0753-2011-0-00
	DRAWN : GYEONGMIN LEE 20190108	1/1