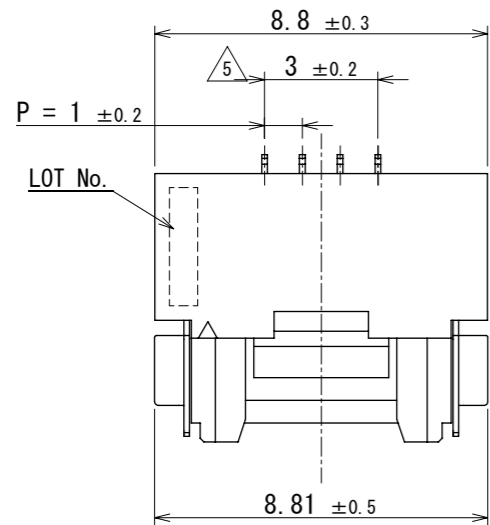
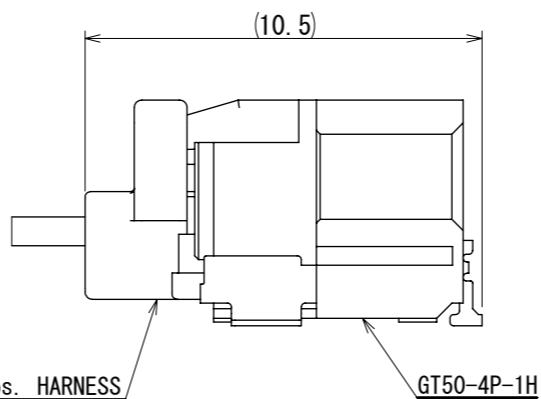


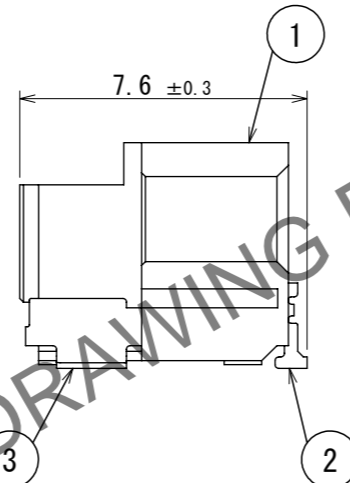
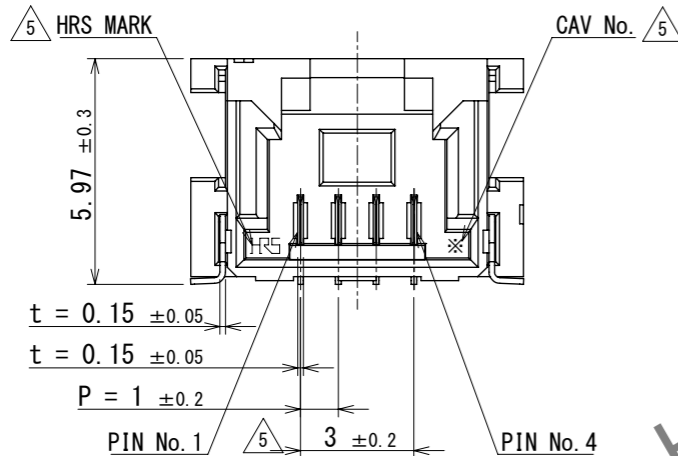
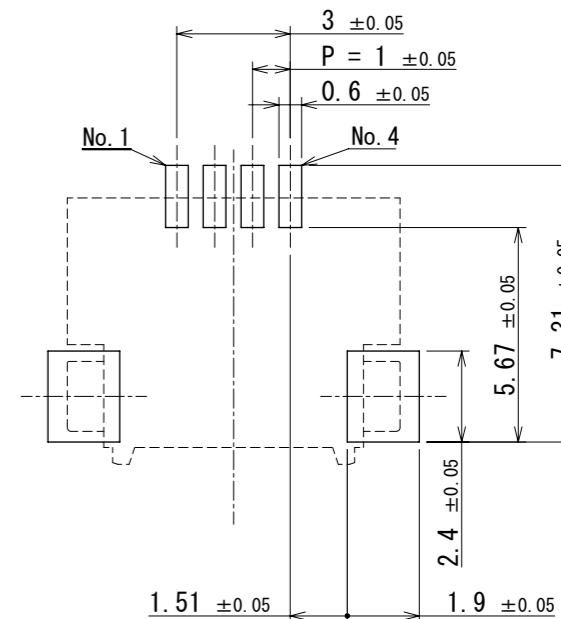
ELV. RoHS COMPLIANT



MATED CONNECTORS (FREE)



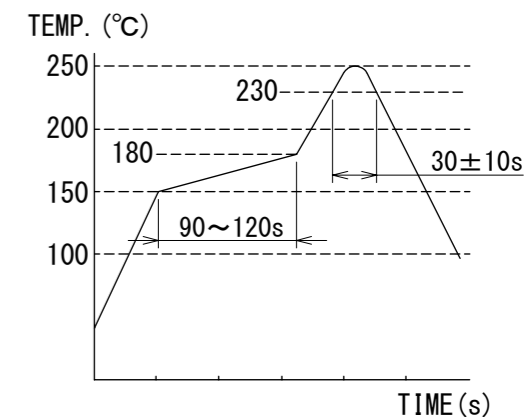
RECOMMENDED PCB PATTERN (FREE)
OPEN AREA RATIO : 100%



HRS DRAWING FOR REFERENCE

NOTE 1. RECOMMENDED TEMPERATURE PROFILE FOR REFLOW
(REFER TO RIGHT FIG.)
USED REFLOW SYSTEM

- NO. OF CYCLES : 2 MAX
- PEAK : 250°C
- OVER 230°C : 20~40s
- PREHEAT : 150~180°C
- 90~120s



- △ 2. TEMPERATURE FOR SOLDERING IRON : 350~380°C WITHIN 5s
- 3. CO-PLANARITY : 0.1mm MAX
- 4. RECOMMENDED SOLDER THICKNESS : 0.10mm

3	BRASS	TIN PLATING	6	POLYSTYRENE			
2	BRASS	Au PLATING	5	POLYESTER			
1	LCP	BLACK	4	POLYSTYRENE			
NO.	MATERIAL	FINISH	REMARKS	NO.	MATERIAL	FINISH	REMARKS

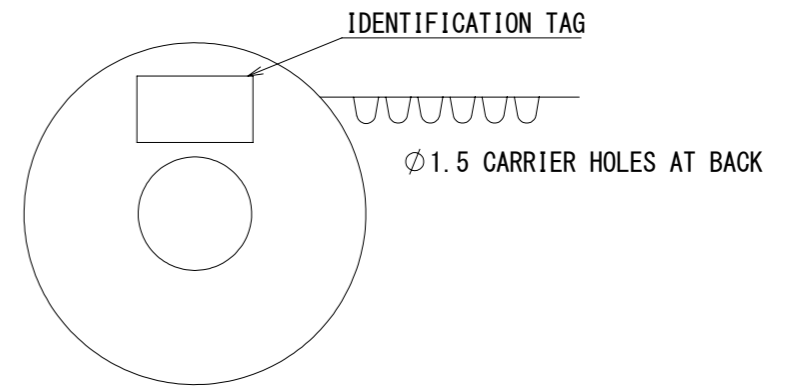
UNITS mm		SCALE 5:1	COUNT 6	DESCRIPTION OF REVISIONS DIS-T-00020330	DESIGNED RS. TAKAGI	CHECKED HH. TSUKUMO	DATE 2024. 03. 05
HRS HIROSE ELECTRIC CO., LTD.		APPROVED : HK. UMEHARA 2021. 06. 24	DRAWING NO. EDC-392587-00-00				
		CHECKED : OM. MIYAMOTO 2021. 06. 24	PART NO. GT50-4P-1H				
		DESIGNED : YT. TAKANASHI 2021. 06. 24	CODE NO. CL0760-1004-0-00				
		DRAWN : YT. TAKANASHI 2021. 06. 24					

Sep.1.2024 Copyright 2024 HIROSE ELECTRIC CO., LTD. All Rights Reserved. In case of consideration for using Automotive equipment / device which demand high reliability, kindly contact our sales window correspondents.

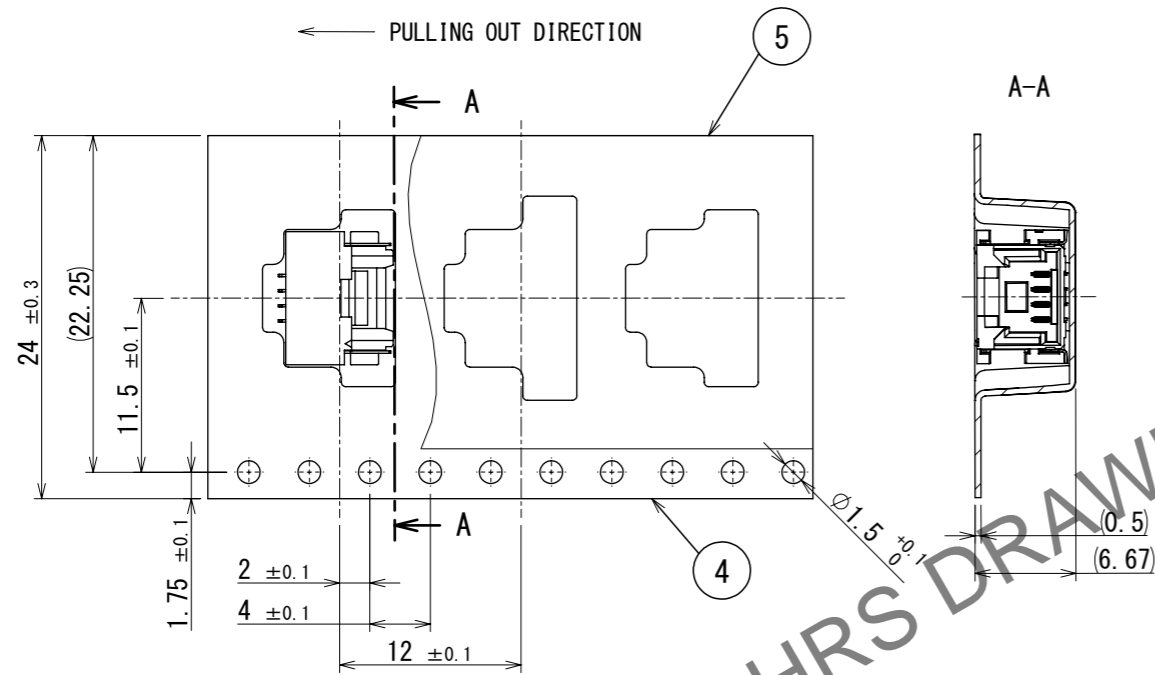
Sep.1.2024 Copyright 2024 HIROSE ELECTRIC CO., LTD. All Rights Reserved.
In case of consideration for using Automotive equipment / device which demand high reliability, kindly contact our sales window correspondents.

PACKING STYLE (FREE)

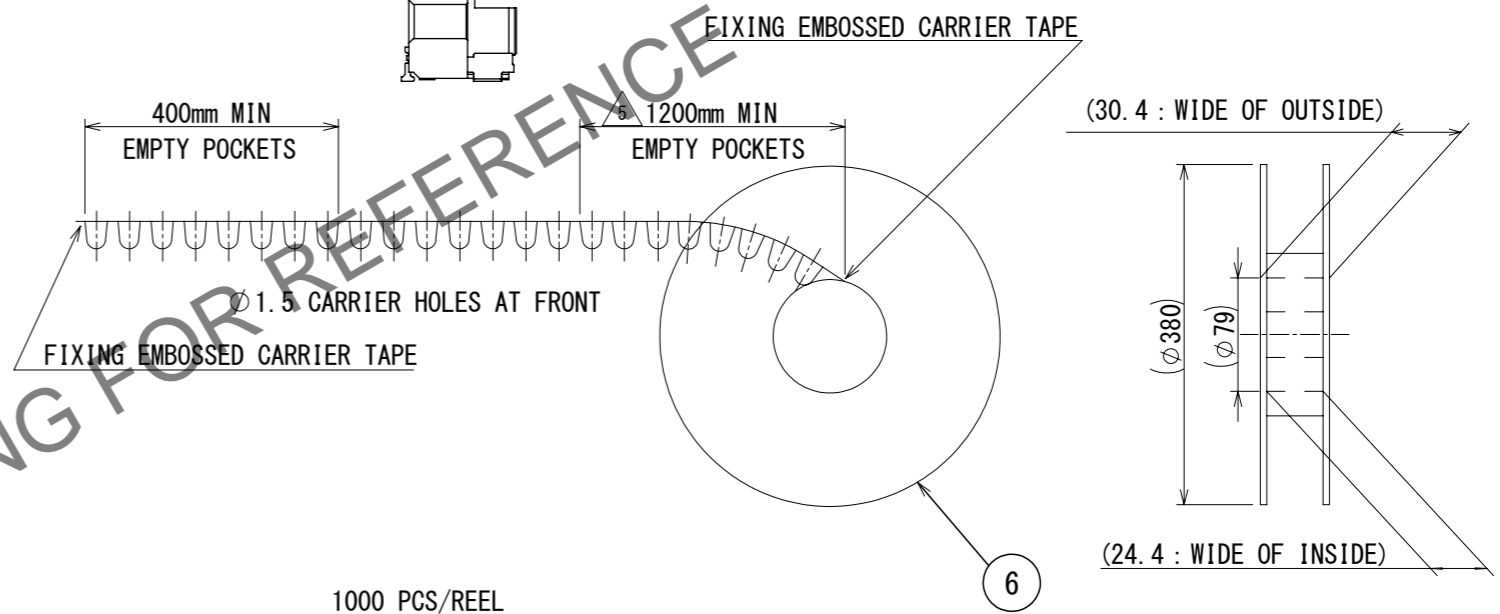
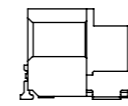
REEL DIMENSION



PACKING STYLE DRAWING



PRODUCTS DIRECTION

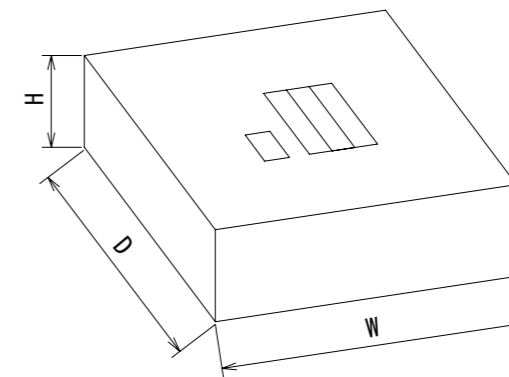


1000 PCS/REEL

※Embossed pocket has a different shape to prevent overlapping, and the drawing shows a representative shape.

CARDBOARD DIMENSION

W = (405) (mm)
D = (405) (mm)
H = (31) (mm)



HRS	DRAWING NO.	EDC-392587-00-00	2/2
	PART NO.	GT50-4P-1H	
	CODE NO.	CL0760-1004-0-00	
	NO.		