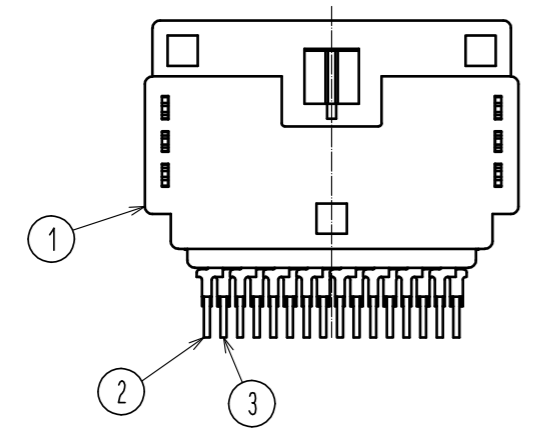
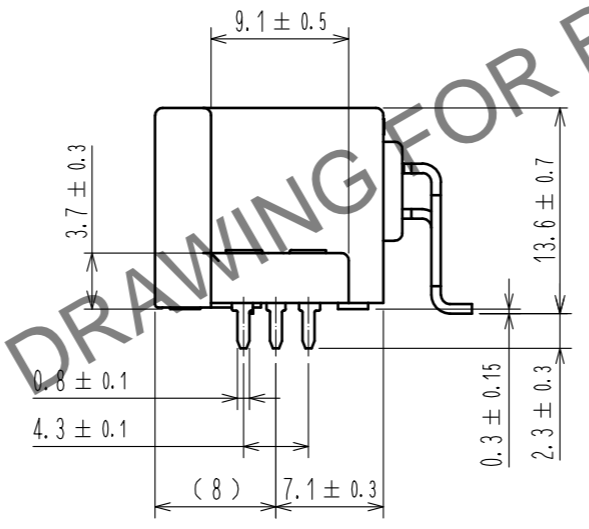
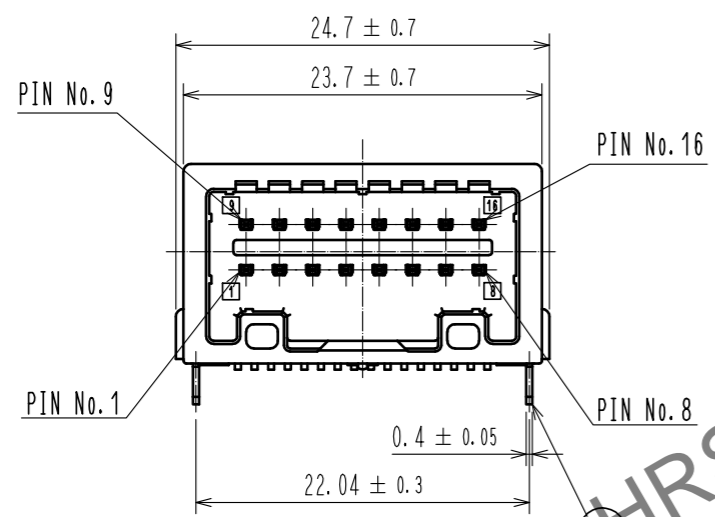
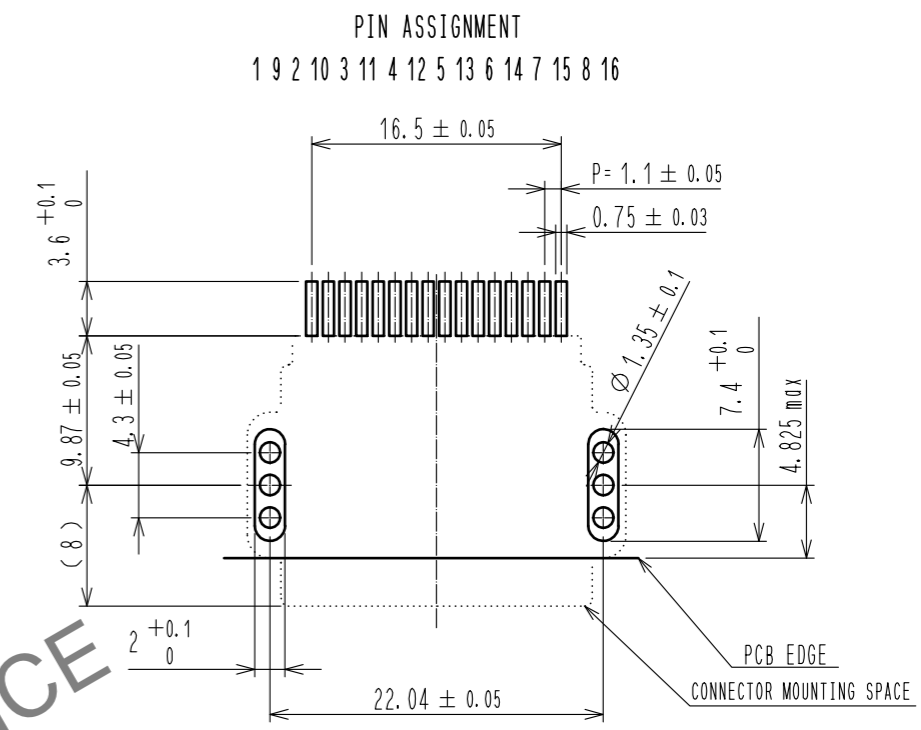
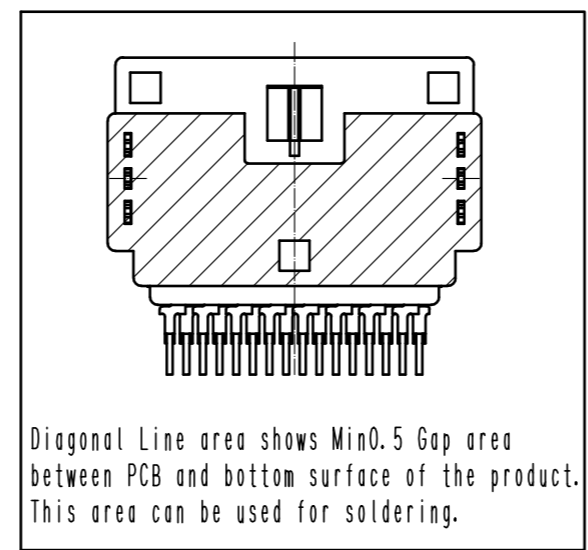
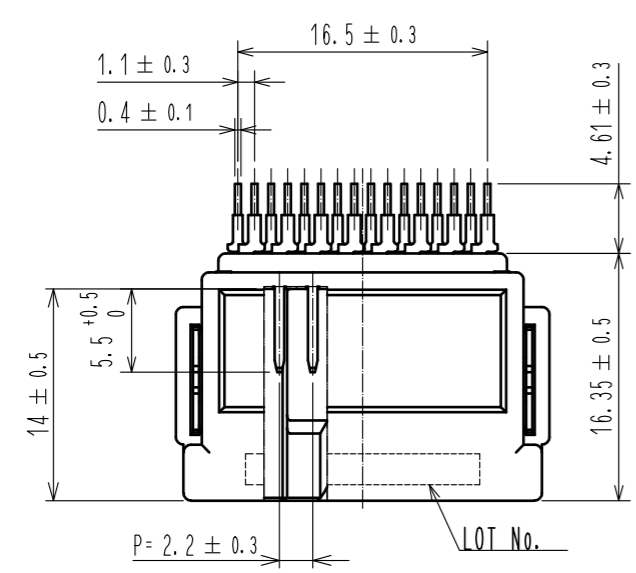


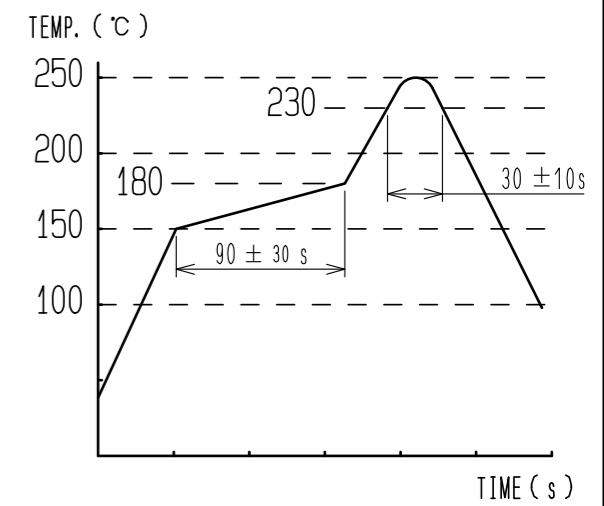
Mar.1.2025 Copyright 2025 HIROSE ELECTRIC CO., LTD. All Rights Reserved.
In case of consideration for using Automotive equipment / device which demand high reliability, kindly contact our sales window correspondents.

ELV, RoHS COMPLIANT



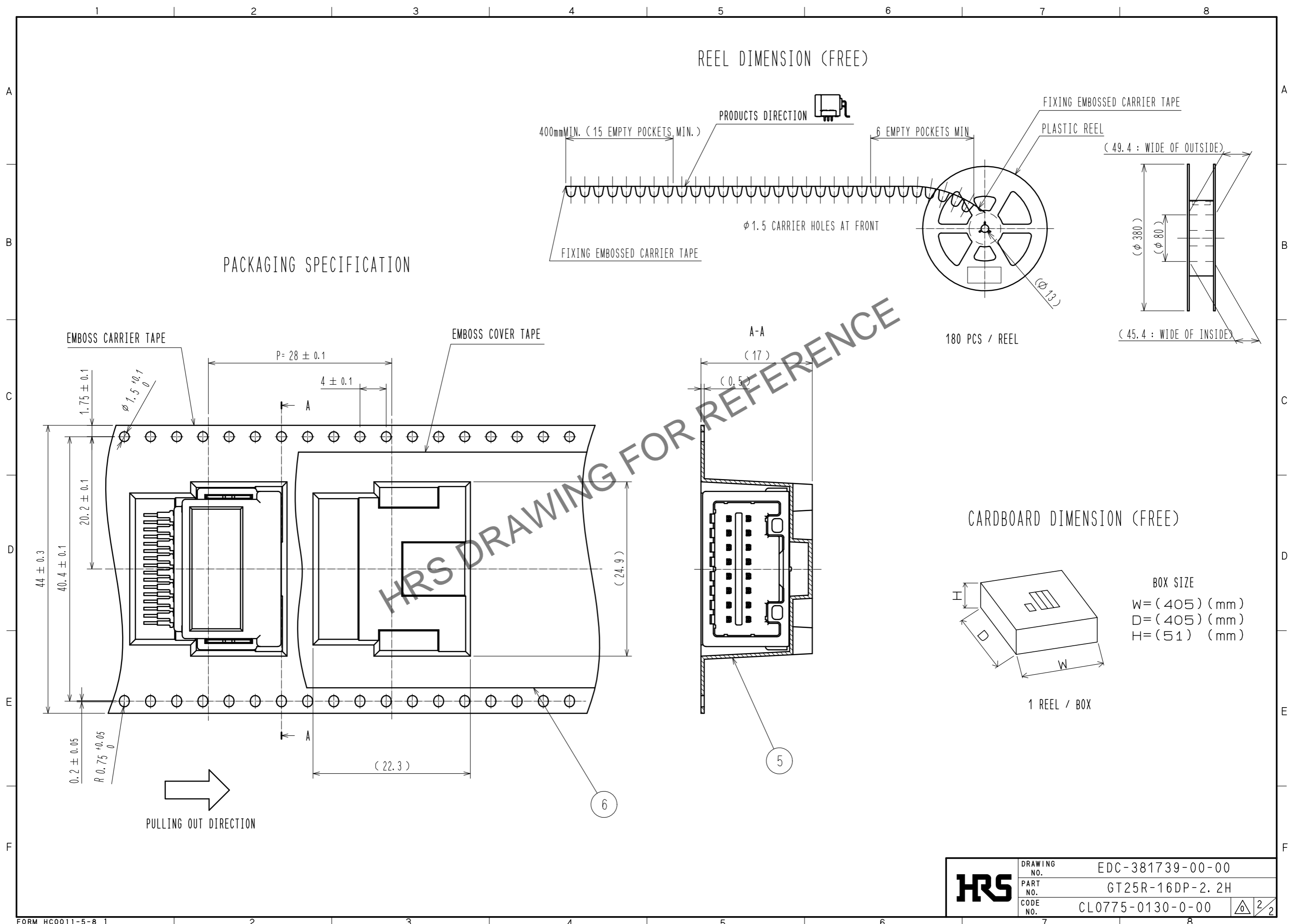
RECOMMENDED PCB PATTERN

- NOTE1. RECOMMENDED TEMPERATURE PROFILE FOR REFLOW (REFER TO RIGHT FIG.)
USED REFLOW SYSTEM : IR IN THE AIR OR NITROGEN
NO. OF CYCLES : 2 MAX
PEAK : 250°C
OVER 230°C : 20~40s
PREHEAT : 150~180°C
60~120s
2. TEMPERATURE FOR SOLDERING IRON : 280~300°C WITHIN 2s
3. LEAD CO-PLANARITY SHALL BE 0.1mm MAX.
4. RECOMMENDED PCB THICKNESS IS 1.6mm
5. RECOMMENDED SOLDER THICKNESS IS 0.15mm.



3	BRASS	TIN PLATED	6	PET					
2	BRASS	TIN PLATED	5	PS					
1	PA	BLACK	4	BRASS	TIN PLATED				
NO.	MATERIAL	FINISH .	REMARKS	NO.	MATERIAL	FINISH .	REMARKS		
UNITS	mm	SCALE	2 : 1	COUNT	DESCRIPTION OF REVISIONS		DESIGNED	CHECKED	DATE
HRS HIROSE ELECTRIC CO., LTD.		APPROVED	: HK. UMEHARA	20210728	DRAWING NO.		EDC-381739-00-00		
		CHECKED	: HH. TSUKUMO	20210728	PART NO.		GT25R-16DP-2. 2H		
		DESIGNED	: TY. IKEDA	20210728	CODE NO.		CL0775-0130-0-00		
		DRAWN	: AN. SAIKI	20210728					

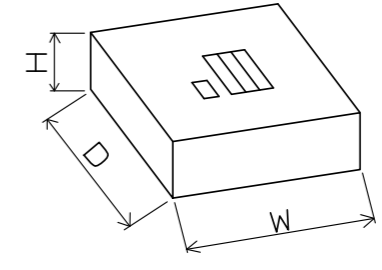
Mar.1.2025 Copyright 2025 HIROSE ELECTRIC CO., LTD. All Rights Reserved.
 In case of consideration for using Automotive equipment / device which demand high reliability, kindly contact our sales window correspondents.



REEL DIMENSION (FREE)

PACKAGING SPECIFICATION

CARDBOARD DIMENSION (FREE)



BOX SIZE
 W=(405) (mm)
 D=(405) (mm)
 H=(51) (mm)

1 REEL / BOX

HRS	DRAWING NO.	EDC-381739-00-00
	PART NO.	GT25R-16DP-2. 2H
	CODE NO.	CL0775-0130-0-00
		2/2