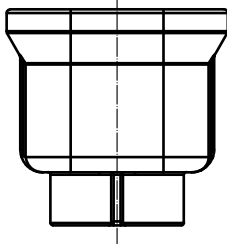
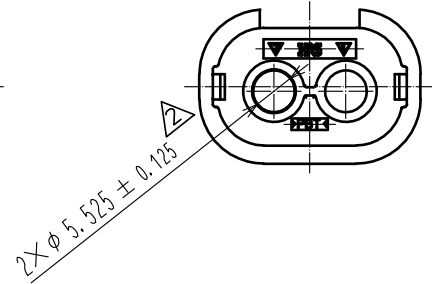
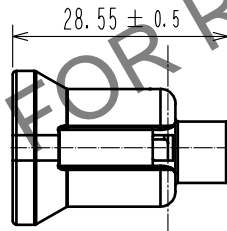
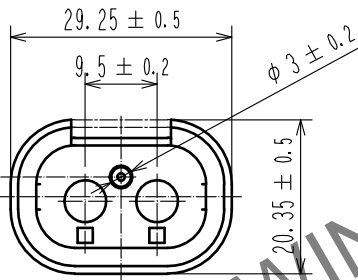
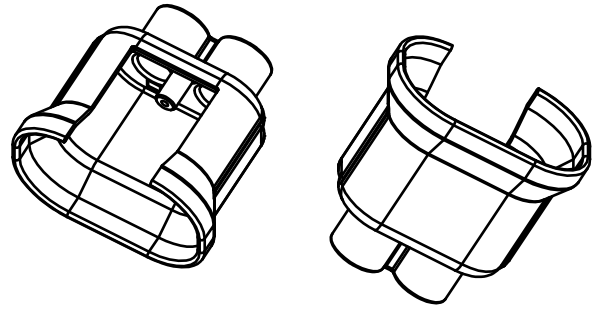
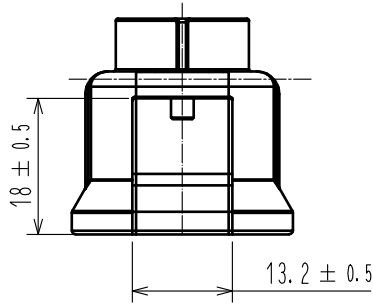


Nov.1.2024 Copyright 2024 HIROSE ELECTRIC CO., LTD. All Rights Reserved.
 In case of consideration for using Automotive equipment / device which demand high reliability, kindly contact our sales window correspondents.

ELV, RoHS COMPLIANT



Note 1. A pack of 100.
 2. Assembly procedure refer to ETAD-T0574-00.
 3. Applicable cable : φ 5.0~5.4mm.

1	PBT	BLACK, UL94 V-0	2	-	-
NO.	MATERIAL	FINISH . REMARKS	NO.	MATERIAL	FINISH . REMARKS
UNITS mm		SCALE 1 : 1	COUNT 2	DESCRIPTION OF REVISIONS DIS-T-00003683	DESIGNED TS. SHIMIZU
					CHECKED AH. EDASHIGE
					DATE 18. 08. 09
HRS	HIROSE ELECTRIC CO., LTD.	APPROVED : HK. UMEHARA	16. 11. 28	DRAWING NO.	EDC-370502-00-00
		CHECKED : HK. UMEHARA	16. 11. 28	PART NO.	HVH-280-2/2S-H0
		DESIGNED : KO. NAKAMURA	16. 11. 28	CODE NO.	CL778-0507-0-00
		DRAWN : KO. NAKAMURA	16. 11. 28		1/1