



Plug-In



Waterproof



Floating

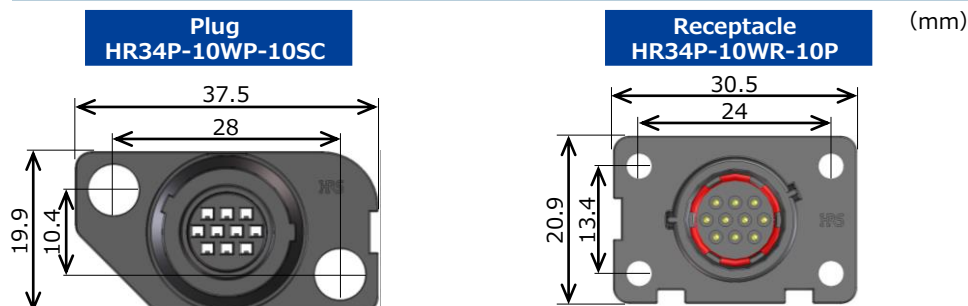


## Features

- 1 **Blind mate connection for efficient assembly**
- 2 **Floating design allows easy mating**  
Floating Amount:  $\pm 0.5\text{mm}$  in X and Y directions
- 3 **IPX7/IPX8\* waterproof (when mated)**  
\*Only mated portion and receptacle integration with the compatible connector
- 4 **Keyed housing prevents incorrect mating**

\* IPX8: Left in water at a depth of 2m for 14 days.

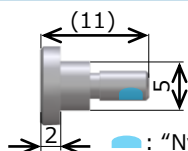
## Space-saving



**Crimp Contact for Plug**  
(Sold Separately)  
HR34B-SC1-211



**Screw for Plug**  
(Sold Separately)  
HR34P-10WP-SCREW



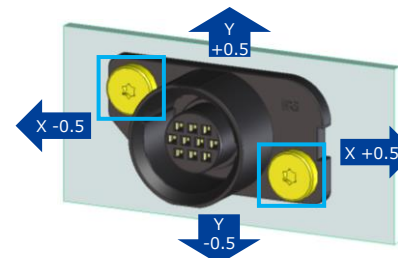
### Nylok

The screws are pre-coated with anti-loosening agent 'Nylok'. This reduces assembly time and contributes to reducing the incidence of malfunctions due to variations in the application process.

: "Nylok" anti-loosening coating applied as standard.

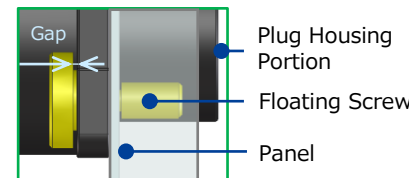
## Floating Design

Floating screws enable floating mating of  $\pm 0.5\text{mm}$  in X and Y directions.



### Side View

The gap between the panel and the screw enables connector floating in X and Y directions.



## Specifications

|                       |                       |
|-----------------------|-----------------------|
| Rated Current         | 3A                    |
| Rated Voltage         | 200V AC, 250V DC      |
| Operating Temperature | -40 to +105°C*        |
| Contact Resistance    | 20mΩ Max. (1A DC)     |
| Withstanding Voltage  | 900V AC for 1 min.    |
| Insulation Resistance | 1000MΩ Min. (500V DC) |
| Mating Durability     | 30 times              |

\* Includes the temperature rise by current flow

- Applicable Cables : 20-25 AWG
- RoHS Compliant

### Functional Diagram



### Product Variations

| Part No.<br>HRS No.                  | Connector Type | Specification                                   |
|--------------------------------------|----------------|---|
| HR34P-10WP-10SC<br>CL0134-0078-0-00  | Plug           | 10pos.  |
| HR34P-10WR-10P<br>CL0134-0079-0-00   | Receptacle     | 10pos.,<br>Solder Pot Inner Dia.: ø1            |
| HR34P-10WP-SCREW<br>CL0134-0080-0-00 | Floating Screw | ±0.5mm in X and Y Directions                    |
| HR34B-SC1-211<br>CL0134-0050-4-00    | Female Contact | Wire Size: 20 to 25 AWG<br>Gold Plating, Reel   |
| HR34B-SC1-111<br>CL0134-0051-7-00    | Female Contact | Wire Size: 20 to 25 AWG<br>Gold Plating, Pieces |

### Material and Finish

| COMPONENT      |              | MATERIAL        | FINISH, REMARKS   |
|----------------|--------------|-----------------|---|
| Receptacle     | Insulator    | Polyamide Resin | Black   |
|                | Male Contact | Copper Alloy    | (Contact Area) Gold Plated<br>(Terminal Area) Gold Plated<br>(Under Plating) Nickel   |
|                | O-ring       | Silicone Rubber | Red   |
| Plug           | Insulator    | Polyamide Resin | Black   |
| Female Contact |              | Phosphor Bronze | (Contact Area) Gold Plated<br>(Terminal Area) Nickel Plated<br>(Under Plating) Nickel |
| Floating Screw |              | Stainless Steel | Silver (Nylok: Blue)  |

### Applicable Tool (Hand Tool and Applicator)

| Part No.<br>HRS No.               | Type                               | Applicable Cable                  |
|-----------------------------------|------------------------------------|-----------------------------------|
| CM-105C<br>CL0901-0001-0-00       | Automatic Crimping Machine<br>Body | -                                 |
| AP105-HR34B-1<br>CL0901-2051-2-00 | Automatic Applicator               | 20-25 AWG                         |
| HT304/HR34B-1<br>CL0150-0107-9-00 | Manual Crimping Tool               | UL20276<br>20 AWG, 23 AWG, 25 AWG |
| RP6-SC-TP<br>CL0150-0039-0-00     | Contact Extraction Tool            | -                                 |