

TECHNICAL-SPECIFICATION

(技術指定書)

S
I
G
N

WRITTEN	DESIGNED	CHECKED	APPROVED	RELEASED
Choi.S.W 20.04.22	Choi.S.W 20.04.22	Lim.S.M 20.04.22	Lim.S.M 20.04.22	

No.	DOC200122-004			SHEET	1/3	
TITLE	NO.	COUNT	DESCRIPTION OF REVISIONS	DESIGNED	CHECKED	DATE
KW30-SERIES Cable Assembly Instruction	△	4	RE-6-1806	Choi.S.W	Lim.S.M	20.04.22
	△	1	RE-6-3074	Shin.J.H	Lim.S.M	23.03.02

1. Scope

This document specifies the procedures of crimping the crimp contact to the cable and inserting the contact to the crimp socket for KW30 Series.

2. Part Number

■ Socket

KW30 - * P - * C

① ② ③ ④ ⑤

① Series : KW30
② Number of contact Single row 2~15
③ Connector type P : Single row crimp socket
④ Pitch: 1.0 mm (2pos: 2.0mm)
⑤ Typing of Housing C : Crimp socket

■ Crimp contact

KW30 - **** PCF A

① ② ③

① Applicable wire 2830: AWG28 ~ 30, 3032: AWG30 ~ 32
② Packaging △ PCF : Crimp contacts / Reel
③ Plating Specification △ A : Gold plated

3. Cable assembly Procedure

3.1. Cable Stripping

Strip the cable jacket in accordance with the crimping quality standard

(ATAD-H-0146~0147) Make sure there is no damage on the cable cores and whether the stripped length is within specification.

3.2. Crimping Process

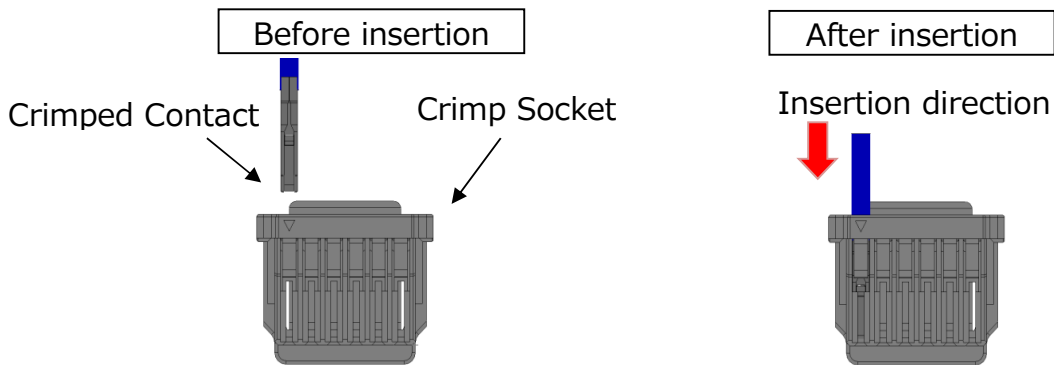
Crimp terminals to cables using an applicator and shape in accordance with the table of crimping conditions and Crimping Quality Standards **(ATAD-H-0146~0147)**.

If the bellmouth which is bigger than the specification is used, it could decrease the insertion workability to crimp socket. Therefore, check and manage in accordance with the Crimping Quality Standards **(ATAD-H-0146~0147)**.

3.3.Crimped Contact Insertion to Crimp Socket

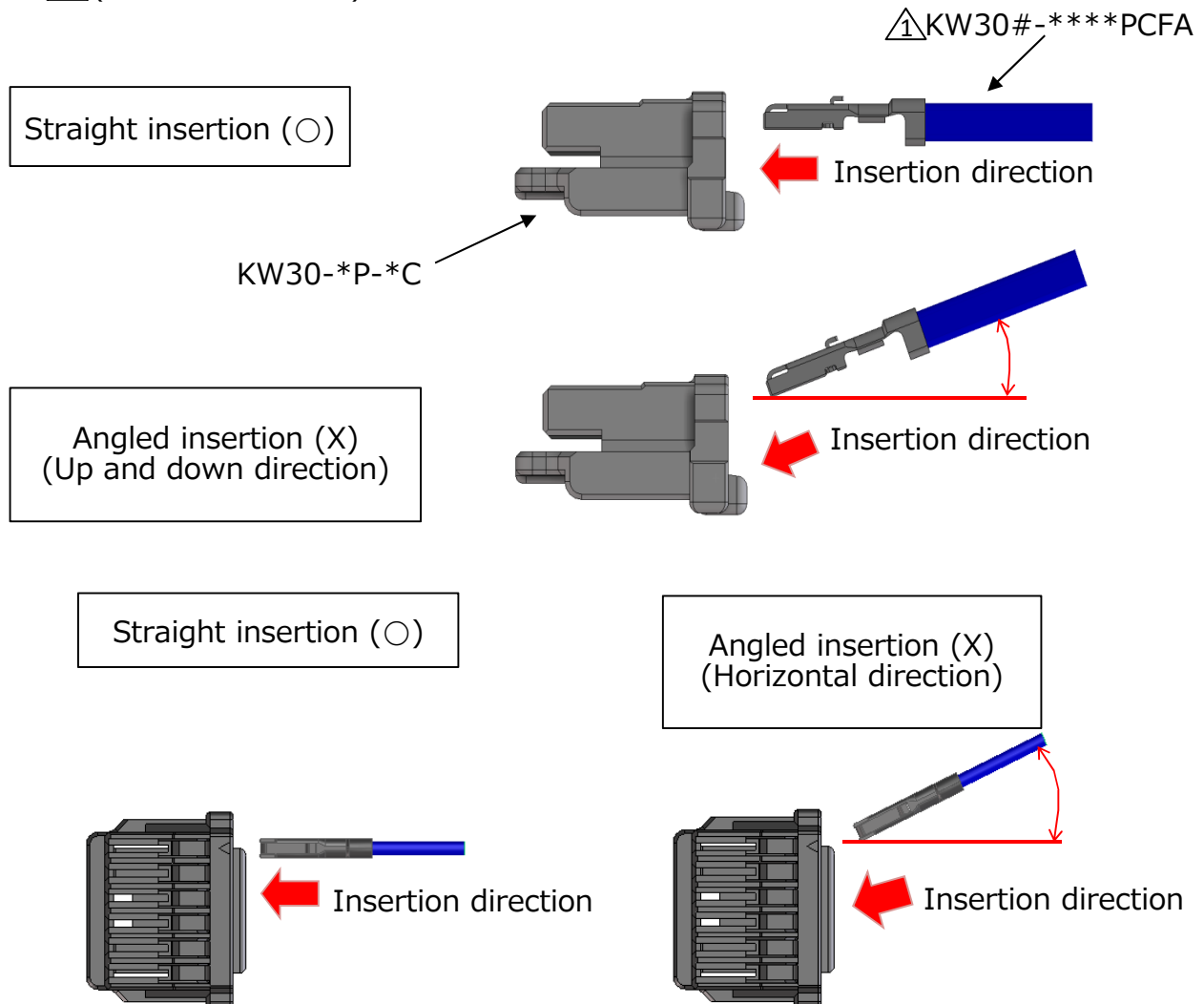
Hold the cable of crimped contact and insert to each contact cavity of the crimp socket.

(Insertion direction is as shown below.)



•To maintain performance reliability, do not tilt crimped contact

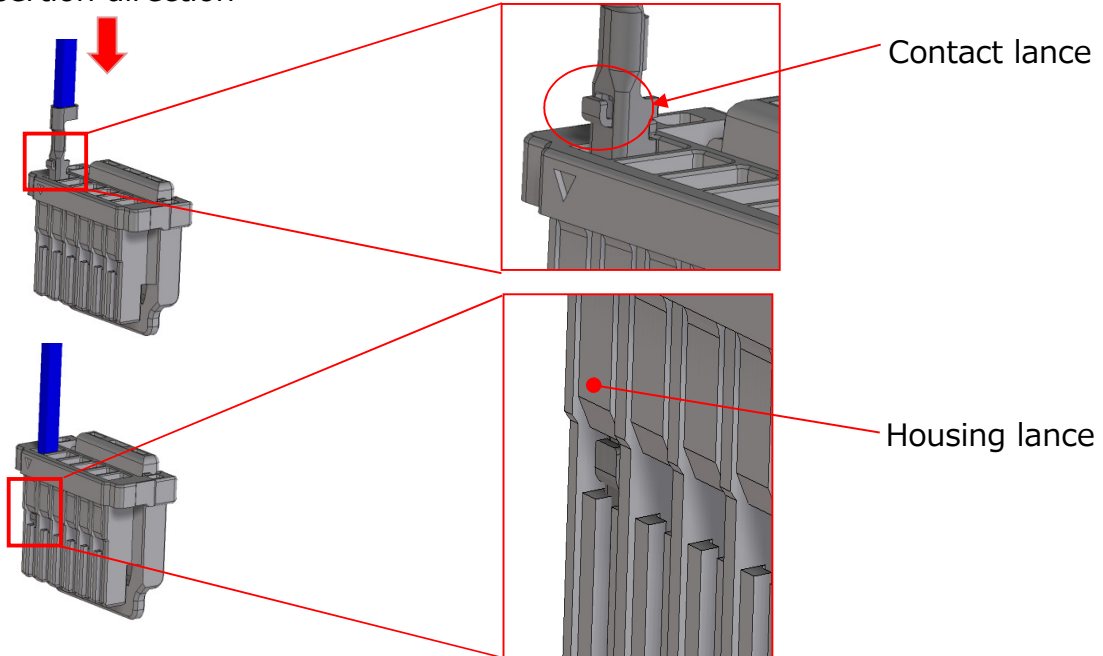
⚠ (KW30#-****PCFA) for insertion.



Confirmation of inserted contact conditions

Make sure that the contact lance is caught by the housing lance of the crimp case.

Insertion direction



※ Repairing the crimp contact

For removing the inserted crimp case, lift up the mold lance by using \triangle DF-C-PO(B) or a pointed needle and such, and pull out the cable simultaneously.

This could lower the lance strength, therefore, do not recycle the crimp case and replace it to a new one.

① Lift up mold lance

