

Features

- 1 **Low profile RF connector**
(Mated height : 2.5mm Max.)
- 2 **Gold plating for corrosion resistance**
- 3 **Clear tactile click improves operability**
- 4 **Improved peeling strength using 4 ground contacts**
- 5 **Excellent high frequency performance**
- V.S.W.R. : 1.6 Max. (DC to 8GHz)
- 6 **Pick & place mounting**
- 7 **Suitable for automotive applications**
such as AVN, Telematics, Camera module, Antenna etc.



RF

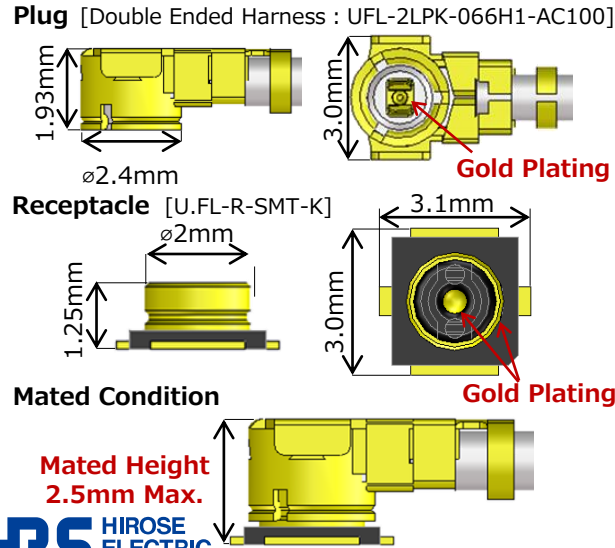


Click Feeling

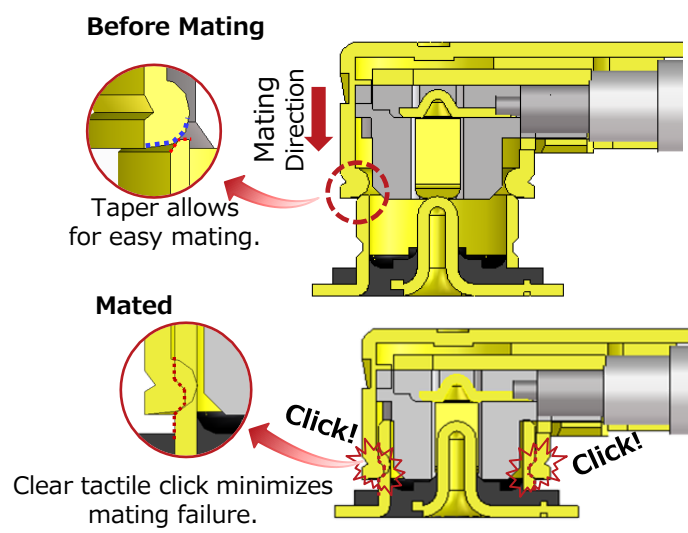


Corrosion Prevention

Dimensions



Clear Tactile Click



Specifications

Characteristic Impedance	50Ω
Operating Temperature	-40 to +90°C
Contact Resistance	Center: 20mΩ Max., Outer: 10mΩ Max. (at 10mA AC)
Withstanding Voltage	200V AC for 1 min.
Insulation Resistance	500MΩ Min. (100V DC)
Mating Durability	30 times

- Applicable cable: ϕ 1.32mm
- RoHS compliant, Halogen-free product*

*This product satisfies halogen free requirements defined as 900ppm maximum chlorine, 900ppm maximum bromine, and 1,500ppm maximum total of chlorine and bromine.

