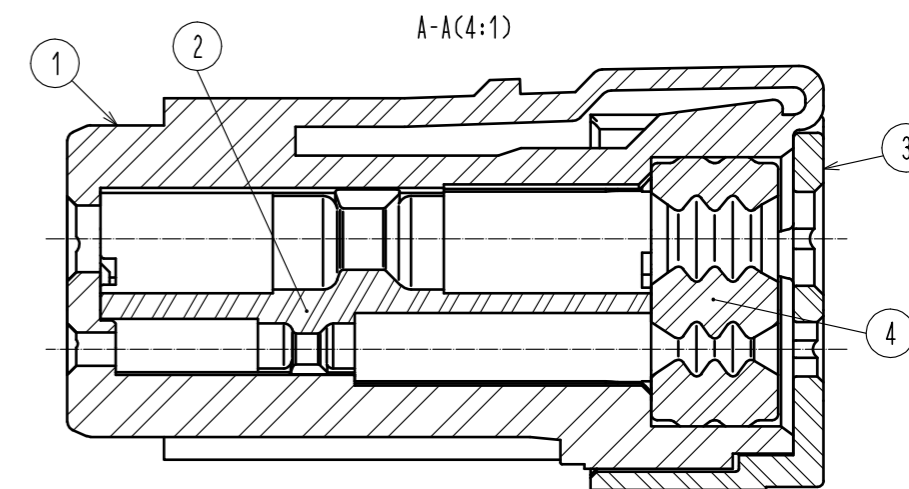
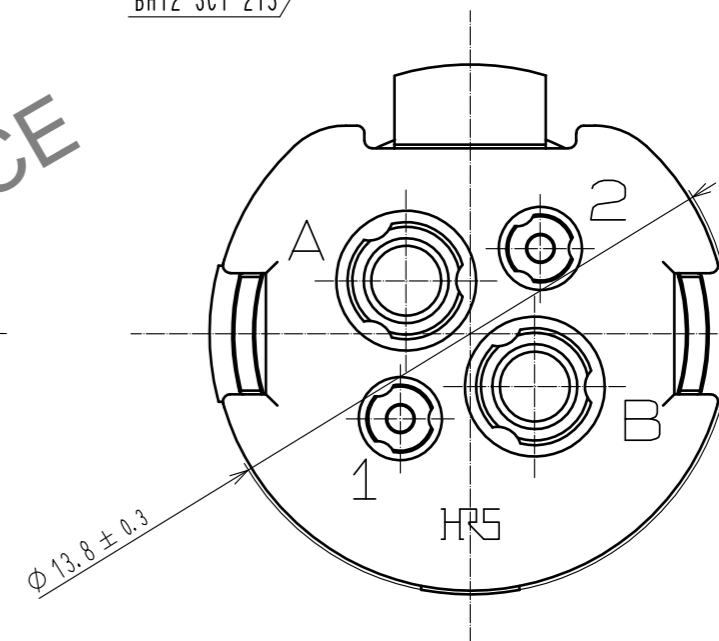
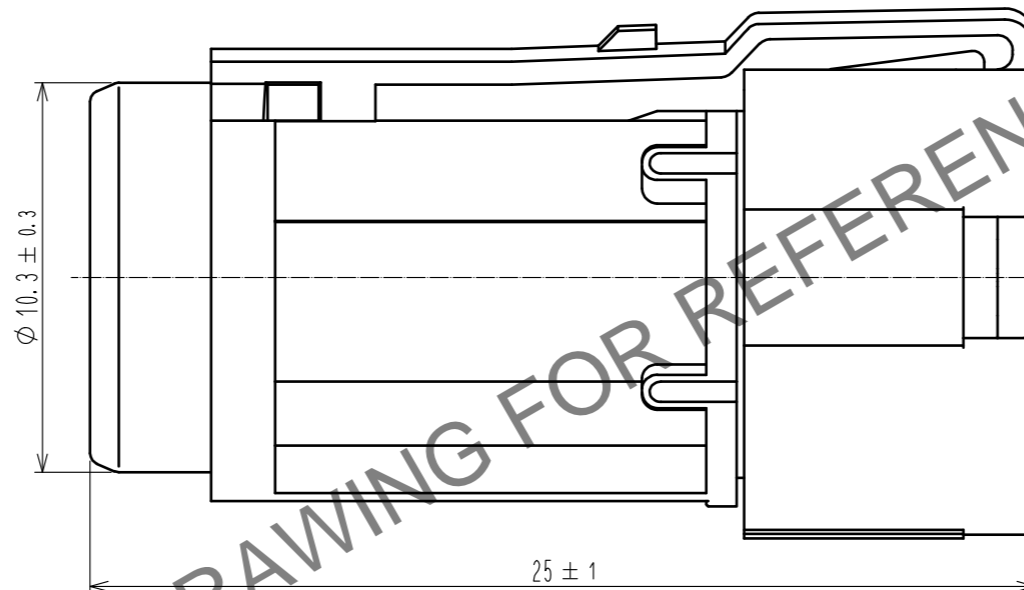
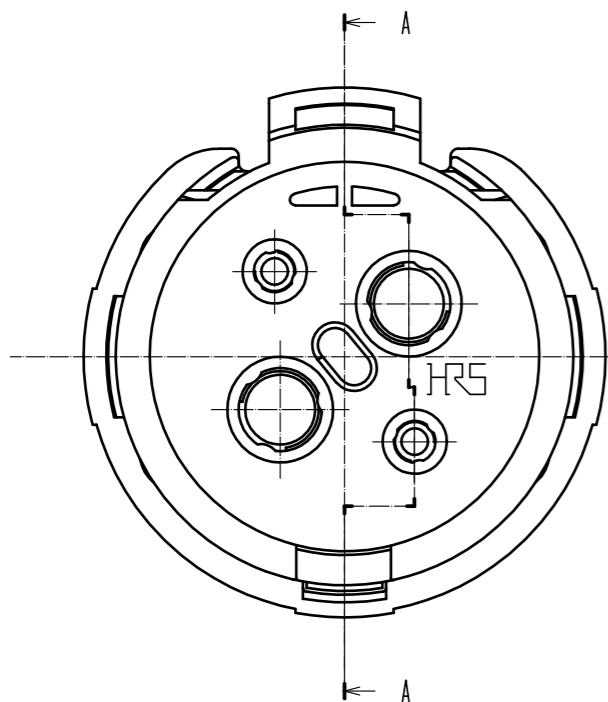
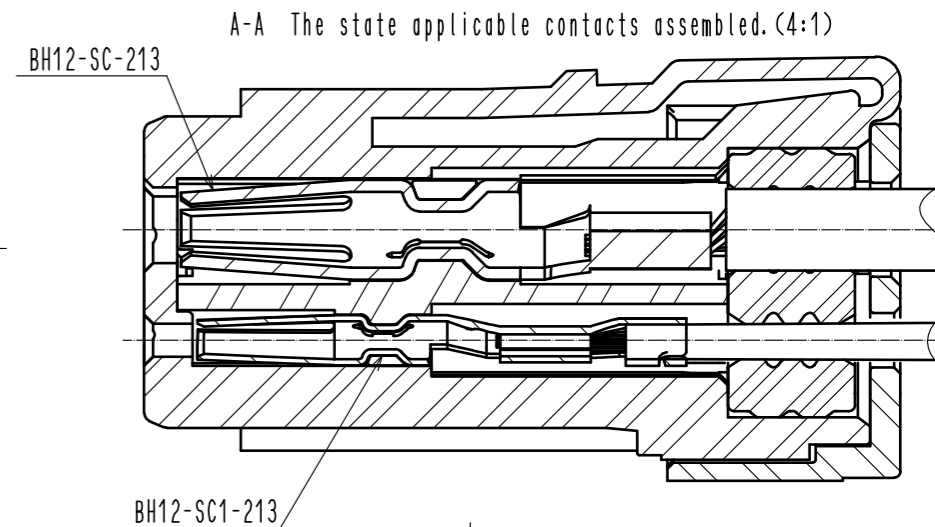
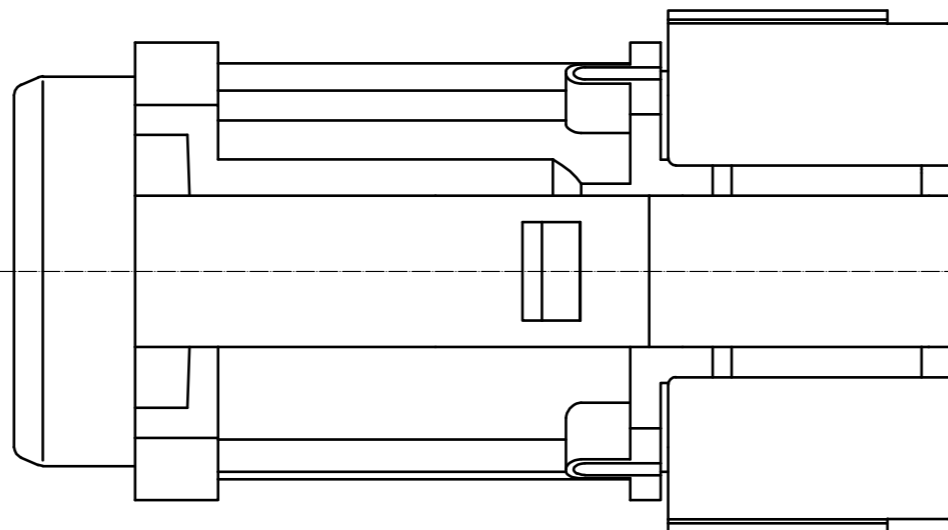
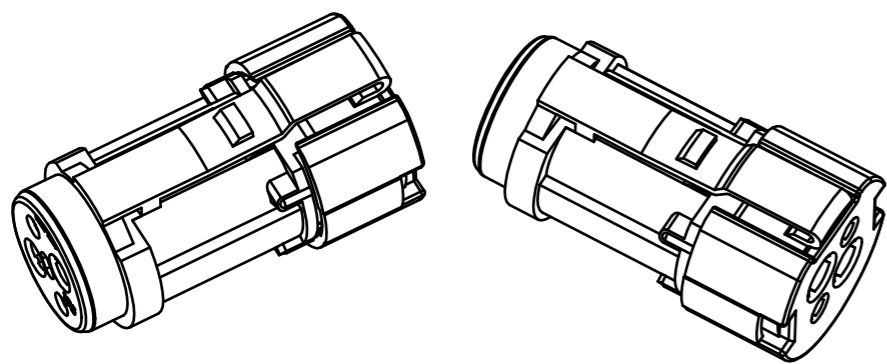


Sep.1.2024 Copyright 2024 HIROSE ELECTRIC CO., LTD. All Rights Reserved.
In case of consideration for using Automotive equipment / device which demand high reliability, kindly contact our sales window correspondents.

△ Shape change

Isometric drawing(2:1)



- Notes
1. This product is delivered disassembled.
 2. Applicable crimp contact
Power : BH12-SC-213(CL140-0014-0-00) (Applicable wire:AWG#14 to 16 Wire jacket diameter: $\phi 2.6$ to 3.0)
Signal : BH12-SC1-213(CL140-0015-0-00) (Applicable wire:AWG#22 to 24 Wire jacket diameter: $\phi 1.4$ to 1.6)
 3. The assembly of this product applies to the manual ETAD-C0454-00.
 4. The cable pull and twisting strength, waterproof tightness and other characteristics may differ, depending on the cable structure, please confirm before the use.
 - △ 5. Please do not use this connector in the condition of incomplete mating. Otherwise, the electrical performance, waterproofness, and lock strength cannot meet the defined specifications.
 - △ 6. Remove the plug while pressing with a finger the lock spring on the plug to unlock. To prevent the lock hanger from being damaged or the cables from being disconnected, do not remove the plug when it is locked. Please avoid force is applied to particular cable.

2	PBT	(Black) UL94V-0	4	シリコンゴム	(Red)
1	PBT	(Black) UL94V-0	3	PBT	(Black) UL94V-0
NO.	MATERIAL	FINISH . REMARKS	NO.	MATERIAL	FINISH . REMARKS
UNITS		SCALE	COUNT	DESCRIPTION OF REVISIONS	
mm		5 : 1	1	DIS-C-00004209	
APPROVED : YH. YAMADA			20200128	DESIGNED	HN. TANAKA
CHECKED : HN. TANAKA			20200128	CHECKED	HY. KOBAYASHI
DESIGNED : SH. KOYAMA			20200128	DATE	20200825
DRAWN : SH. KOYAMA			20200128	DRAWING NO. EDC-390397-00-00	
PART NO. BH12WP-4SC				CODE NO. CL140-0010-0-00	
HRS HIROSE ELECTRIC CO., LTD.				1/1	