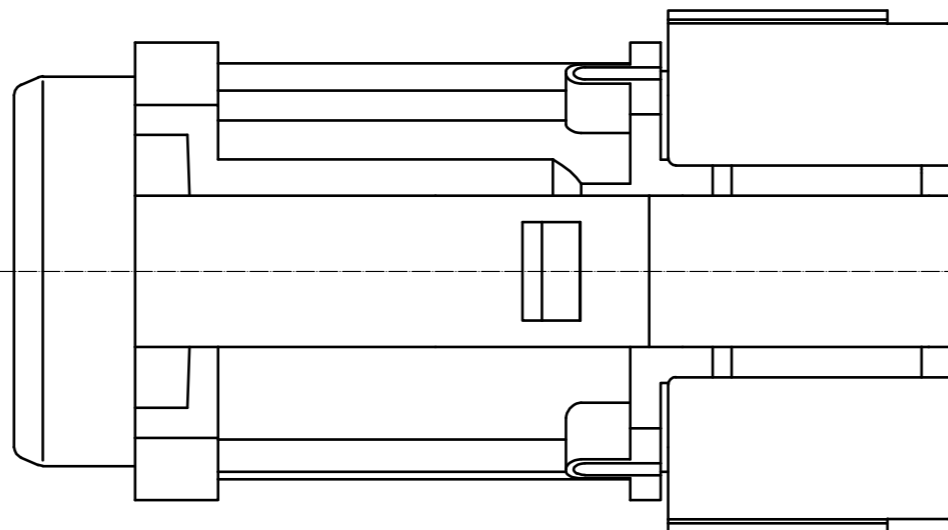
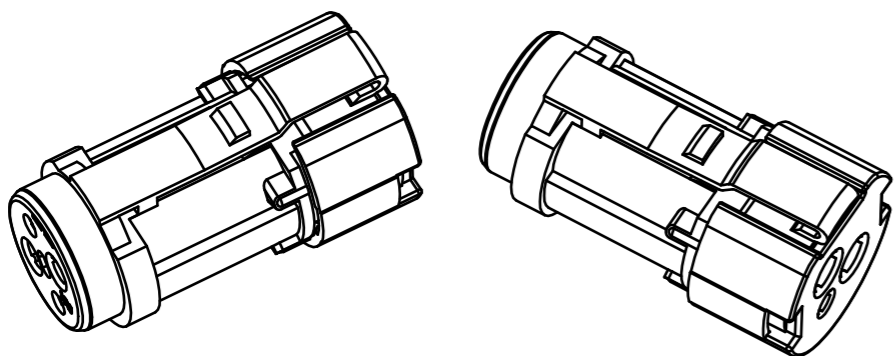


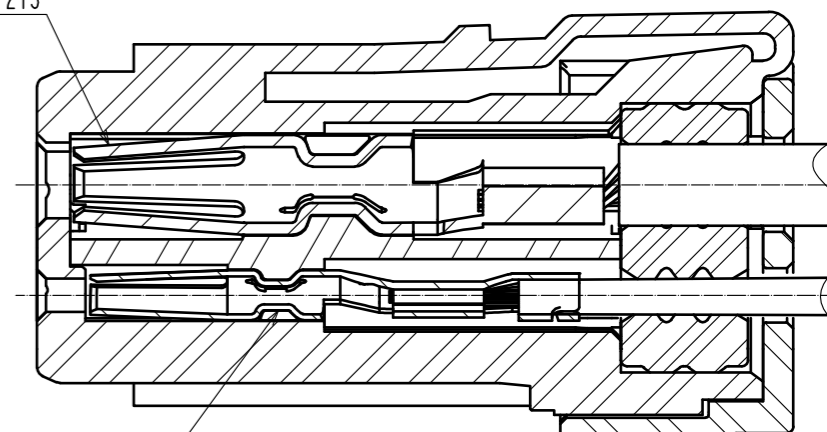
Sep.1.2024 Copyright 2024 HIROSE ELECTRIC CO., LTD. All Rights Reserved.
 In case of consideration for using Automotive equipment / device which demand high reliability, kindly contact our sales window correspondents.

△ Shape change

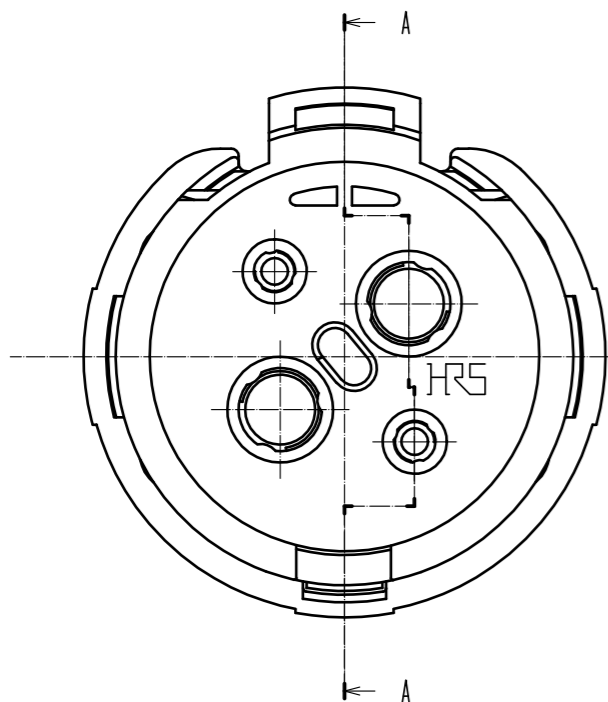
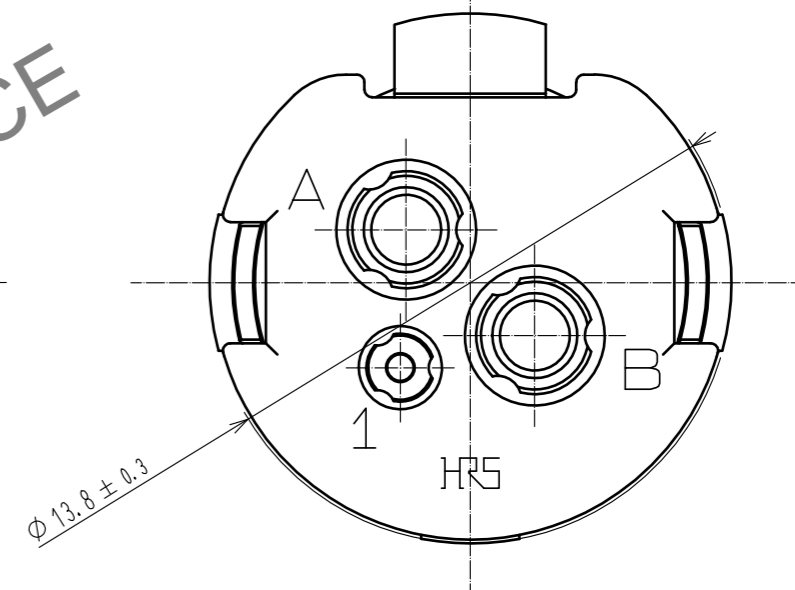
Isometric drawing(2:1)



BH12-SC-213 A-A The state applicable contacts assembled. (4:1)



BH12-SC1-213

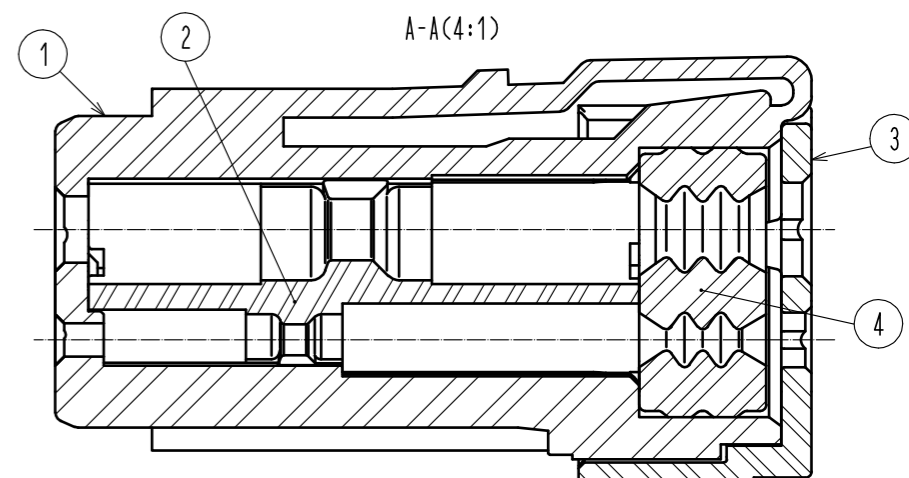


∅ 10.3 ± 0.3

25 ± 1

∅ 13.8 ± 0.3

HRS DRAWING FOR REFERENCE



- Notes
1. This product is delivered disassembled.
 2. Applicable crimp contact
 Power : BH12-SC-213(CL140-0014-0-00) (Applicable wire:AWG#14 to 16 Wire jacket diameter:∅2.6 to 3.0)
 Signal : BH12-SC1-213(CCL140-0015-0-00) (Applicable wire:AWG#22 to 24 Wire jacket diameter:∅1.4 to 1.6)
 3. The assembly of this product applies to the manual ETAD-C0454-00.
 4. The cable pull and twisting strength, waterproof tightness and other characteristics may differ, depending on the cable structure, please confirm before the use.
 - △ 5. Please do not use this connector in the condition of incomplete mating. Otherwise, the electrical performance, waterproofness, and lock strength cannot meet the defined specifications.
 - △ 6. Remove the plug while pressing with a finger the lock spring on the plug to unlock. To prevent the lock hanger from being damaged or the cables from being disconnected, do not remove the plug when it is locked. Please avoid force is applied to particular cable.

2	PBT	(Black) UL94V-0	4	シリコンゴム	(Red)
1	PBT	(Black) UL94V-0	3	PBT	(Black) UL94V-0
NO.	MATERIAL	FINISH . REMARKS	NO.	MATERIAL	FINISH . REMARKS
UNITS	mm	SCALE	5 : 1	COUNT	1
DESCRIPTION OF REVISIONS		DESIGNED	HN. TANAKA	CHECKED	HY. KOBAYASHI
DATE		20200825		DRAWING NO. EDC-390398-00-00	
APPROVED		YH. YAMADA	20200128	PART NO. BH12WP-3SC	
CHECKED		HN. TANAKA	20200128	CODE NO. CL140-0011-0-00	
DESIGNED		SH. KOYAMA	20200128	1/1	
DRAWN		SH. KOYAMA	20200128		