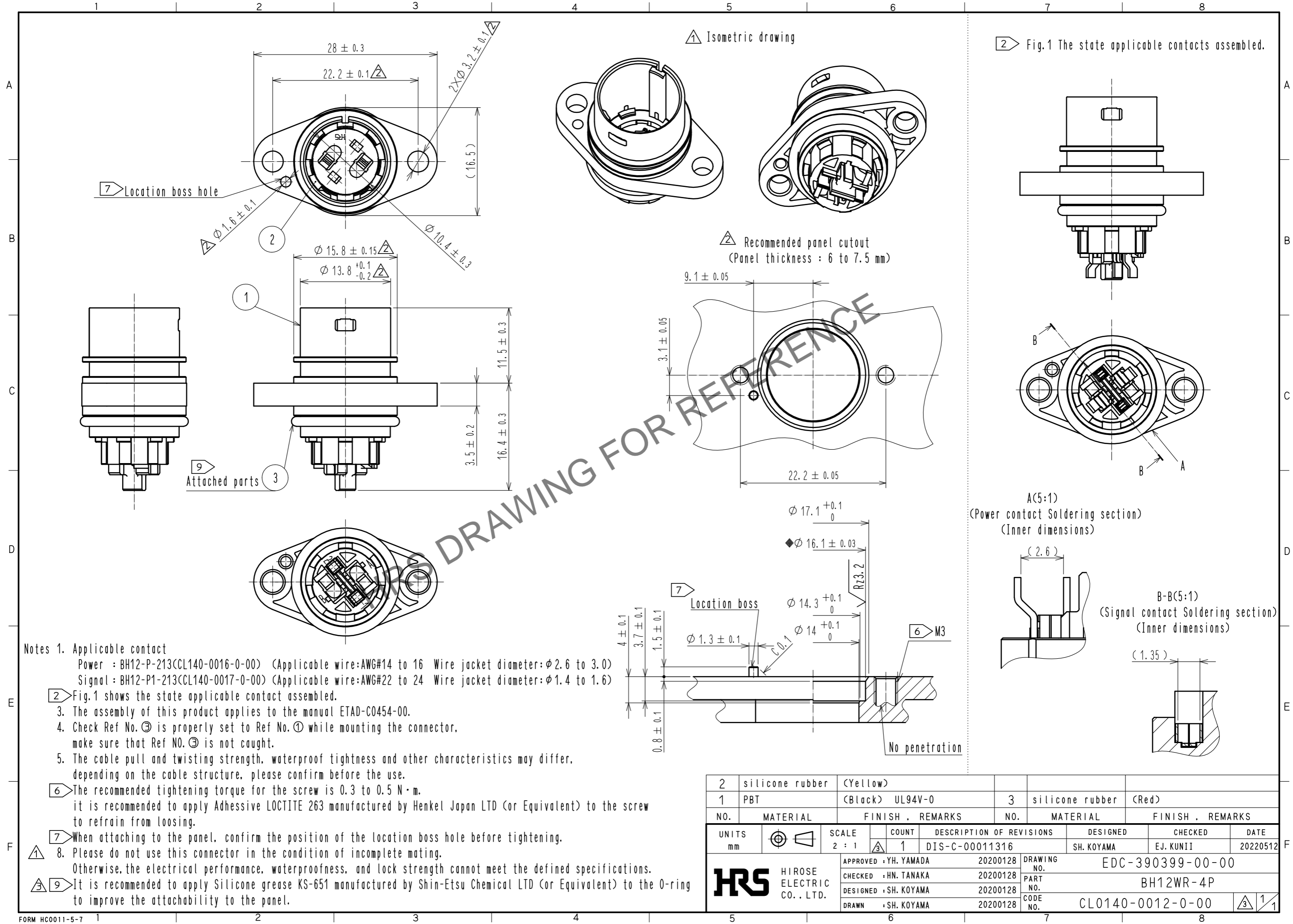


Sep.1.2024 Copyright 2024 HIROSE ELECTRIC CO., LTD. All Rights Reserved.
In case of consideration for using Automotive equipment / device which demand high reliability, kindly contact our sales window correspondents.



- Notes
- Applicable contact
 Power : BH12-P-213(CL140-0016-0-00) (Applicable wire:AWG#14 to 16 Wire jacket diameter:φ2.6 to 3.0)
 Signal : BH12-P1-213(CL140-0017-0-00) (Applicable wire:AWG#22 to 24 Wire jacket diameter:φ1.4 to 1.6)
 - Fig.1 shows the state applicable contact assembled.
 - The assembly of this product applies to the manual ETAD-C0454-00.
 - Check Ref No. ③ is properly set to Ref No. ① while mounting the connector, make sure that Ref NO. ③ is not caught.
 - The cable pull and twisting strength, waterproof tightness and other characteristics may differ, depending on the cable structure, please confirm before the use.
 - The recommended tightening torque for the screw is 0.3 to 0.5 N·m. it is recommended to apply Adhesive LOCTITE 263 manufactured by Henkel Japan LTD (or Equivalent) to the screw to refrain from loosening.
 - When attaching to the panel, confirm the position of the location boss hole before tightening.
 - Please do not use this connector in the condition of incomplete mating. Otherwise, the electrical performance, waterproofness, and lock strength cannot meet the defined specifications.
 - It is recommended to apply Silicone grease KS-651 manufactured by Shin-Etsu Chemical LTD (or Equivalent) to the O-ring to improve the attachability to the panel.

2	silicone rubber	(Yellow)					
1	PBT	(Black) UL94V-0	3	silicone rubber	(Red)		
NO.	MATERIAL	FINISH . REMARKS	NO.	MATERIAL	FINISH . REMARKS		
UNITS	mm	SCALE	COUNT	DESCRIPTION OF REVISIONS	DESIGNED	CHECKED	DATE
		2 : 1	1	DIS-C-00011316	SH. KOYAMA	EJ. KUNII	20220512
HRS HIROSE ELECTRIC CO., LTD.		APPROVED : YH. YAMADA	20200128	DRAWING NO.		EDC-390399-00-00	
		CHECKED : HN. TANAKA	20200128	PART NO.		BH12WR-4P	
		DESIGNED : SH. KOYAMA	20200128	CODE NO.		CL0140-0012-0-00	
		DRAWN : SH. KOYAMA	20200128			1/1	