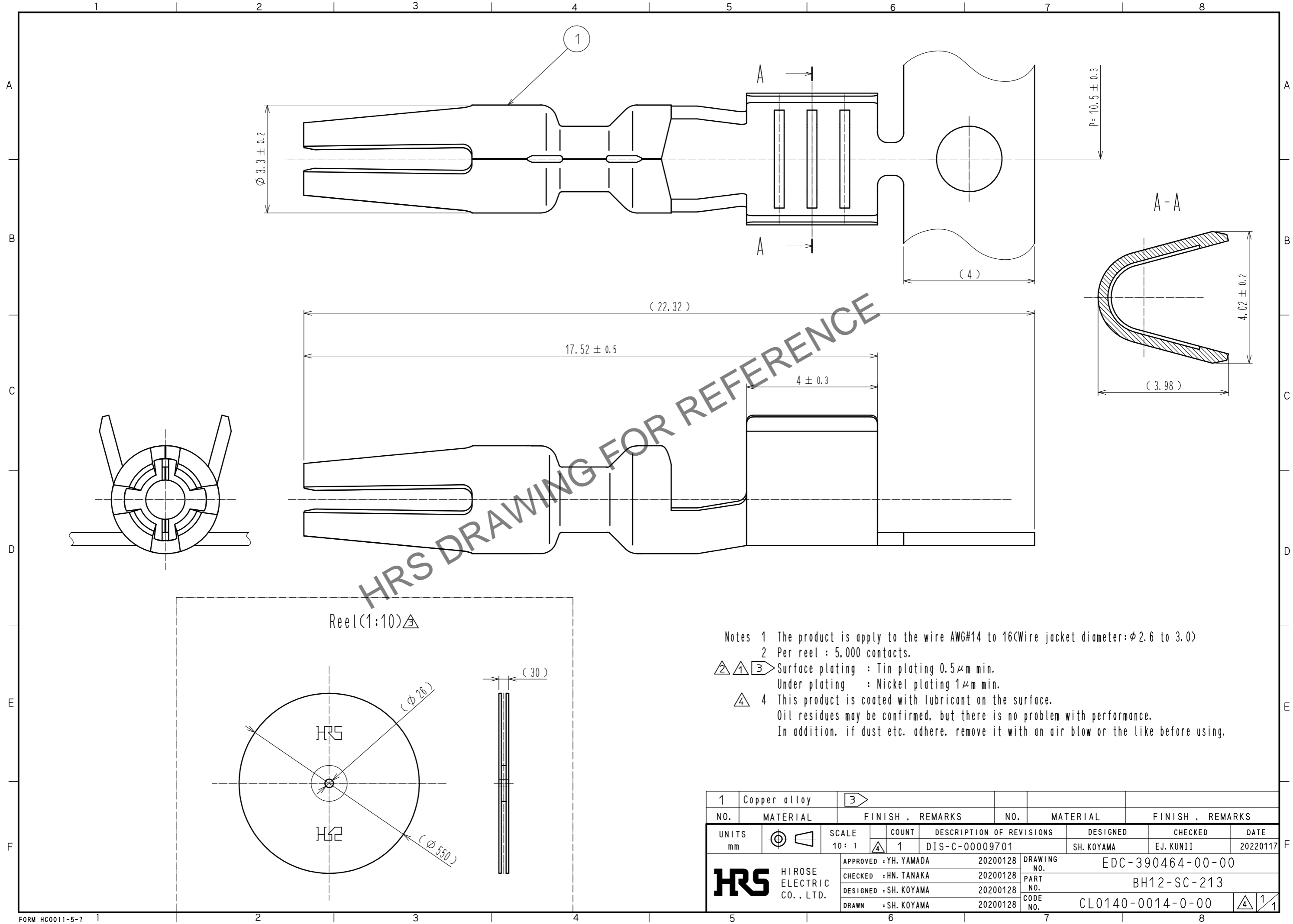


Sep.1.2024 Copyright 2024 HIROSE ELECTRIC CO., LTD. All Rights Reserved.  
 In case of consideration for using Automotive equipment / device which demand high reliability, kindly contact our sales window correspondents.



- Notes
- 1 The product is apply to the wire AWG#14 to 16(Wire jacket diameter:  $\phi 2.6$  to  $3.0$ )
  - 2 Per reel : 5,000 contacts.
  - 3 Surface plating : Tin plating  $0.5 \mu\text{m}$  min.  
Under plating : Nickel plating  $1 \mu\text{m}$  min.
  - 4 This product is coated with lubricant on the surface.  
Oil residues may be confirmed, but there is no problem with performance.  
In addition, if dust etc. adhere, remove it with an air blow or the like before using.

1	Copper alloy	3						
NO.	MATERIAL	FINISH .	REMARKS	NO.	MATERIAL	FINISH .	REMARKS	
UNITS mm		SCALE 10:1	COUNT 1	DESCRIPTION OF REVISIONS DIS-C-00009701		DESIGNED SH. KOYAMA	CHECKED EJ. KUNII	DATE 20220117
<b>HRS</b> HIROSE ELECTRIC CO., LTD.		APPROVED : YH. YAMADA	20200128	DRAWING NO. EDC-390464-00-00		PART NO. BH12-SC-213		
		CHECKED : HN. TANAKA	20200128	CODE NO. CL0140-0014-0-00				
		DESIGNED : SH. KOYAMA	20200128					
		DRAWN : SH. KOYAMA	20200128					