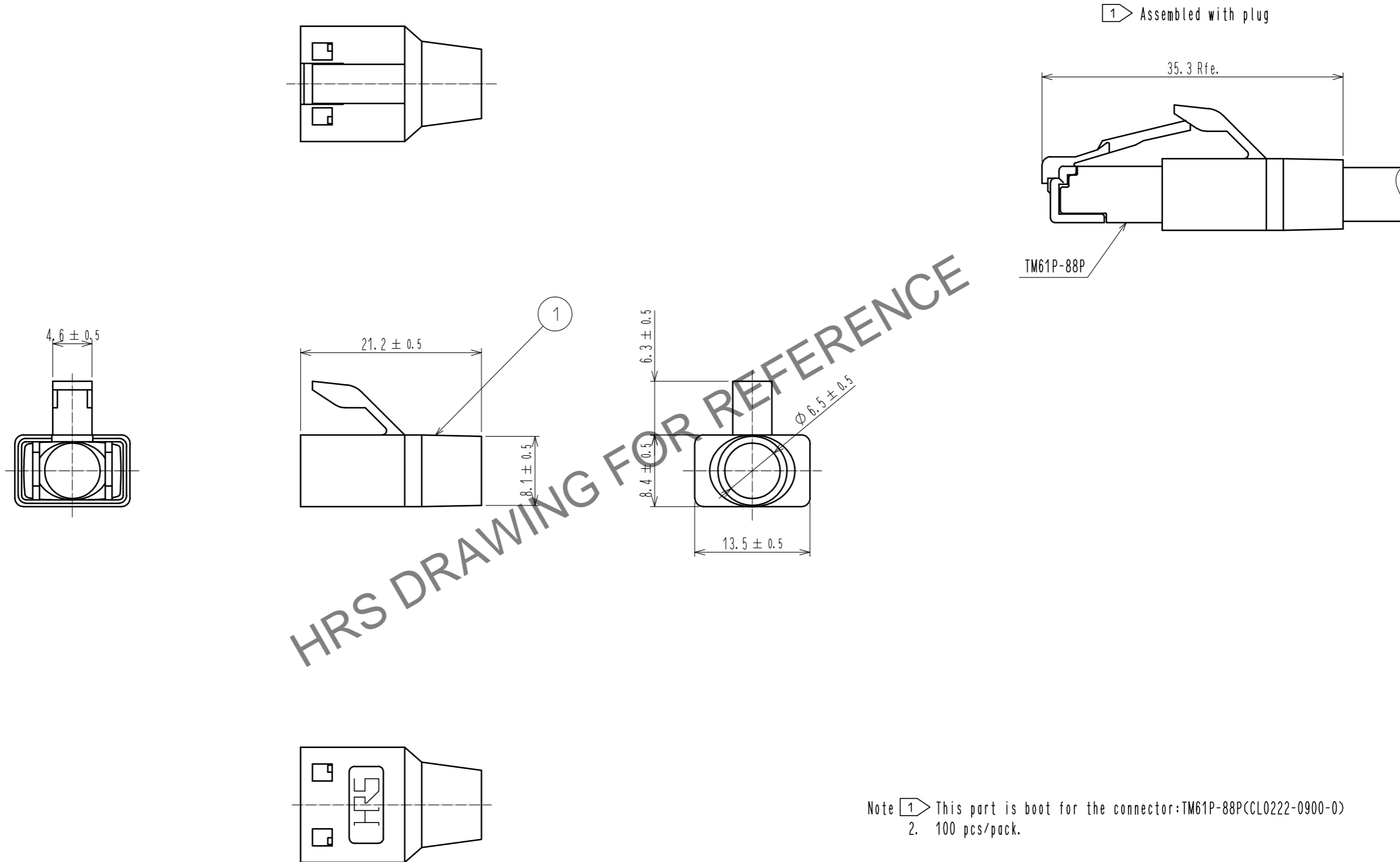


Aug.1.2024 Copyright 2024 HIROSE ELECTRIC CO., LTD. All Rights Reserved.
In case of consideration for using Automotive equipment / device which demand high reliability, kindly contact our sales window correspondents.



HRS DRAWING FOR REFERENCE

Note 1 This part is boot for the connector:TM61P-88P(CLO222-0900-0)
2. 100 pcs/pack.

NO.		MATERIAL		FINISH . REMARKS		1		Polyamide		UL94V-0 Black			
UNITS		SCALE		COUNT		DESCRIPTION OF REVISIONS		DESIGNED		CHECKED		DATE	
mm		2 : 1		△									
HRS HIROSE ELECTRIC CO., LTD.		APPROVED : TU. TANIGUCHI		20230501		DRAWING NO.		EDC-399321-00-00					
		CHECKED : KG. OKITA		20230501		PART NO.		TM61P-BT					
		DESIGNED : MO. SHIMOYAMA		20230427		CODE NO.		CLO222-0901-0-00					
		DRAWN : MO. SHIMOYAMA		20230427									