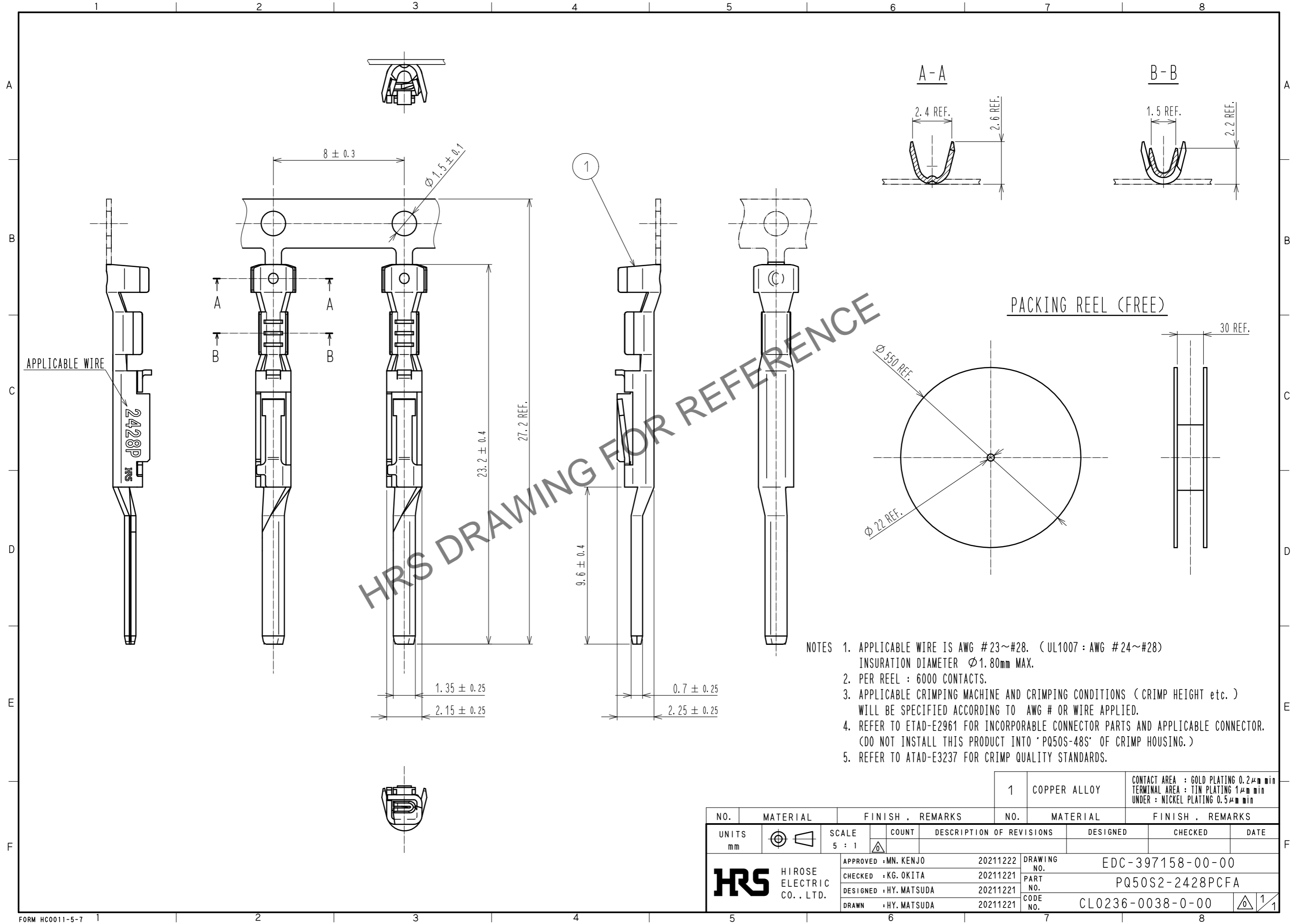


Aug.1.2024 Copyright 2024 HIROSE ELECTRIC CO., LTD. All Rights Reserved.
 In case of consideration for using Automotive equipment / device which demand high reliability, kindly contact our sales window correspondents.



- NOTES
1. APPLICABLE WIRE IS AWG #23~#28. (UL1007 : AWG #24~#28)
INSURATION DIAMETER Ø1.80mm MAX.
 2. PER REEL : 6000 CONTACTS.
 3. APPLICABLE CRIMPING MACHINE AND CRIMPING CONDITIONS (CRIMP HEIGHT etc.) WILL BE SPECIFIED ACCORDING TO AWG # OR WIRE APPLIED.
 4. REFER TO ETAD-E2961 FOR INCORPORABLE CONNECTOR PARTS AND APPLICABLE CONNECTOR. (DO NOT INSTALL THIS PRODUCT INTO 'PQ50S-48S' OF CRIMP HOUSING.)
 5. REFER TO ATAD-E3237 FOR CRIMP QUALITY STANDARDS.

NO.		MATERIAL		FINISH . REMARKS		NO.		MATERIAL		FINISH . REMARKS	
1		COPPER ALLOY		CONTACT AREA : GOLD PLATING 0.2µm min TERMINAL AREA : TIN PLATING 1µm min UNDER : NICKEL PLATING 0.5µm min							
UNITS mm		SCALE 5 : 1		COUNT		DESCRIPTION OF REVISIONS		DESIGNED		CHECKED	
HRS		HIROSE ELECTRIC CO., LTD.		APPROVED : MN. KENJO		20211222		DRAWING NO.		EDC-397158-00-00	
				CHECKED : KG. OKITA		20211221		PART NO.		PQ50S2-2428PCFA	
				DESIGNED : HY. MATSUDA		20211221		CODE NO.		CL0236-0038-0-00	
				DRAWN : HY. MATSUDA		20211221				1/1	