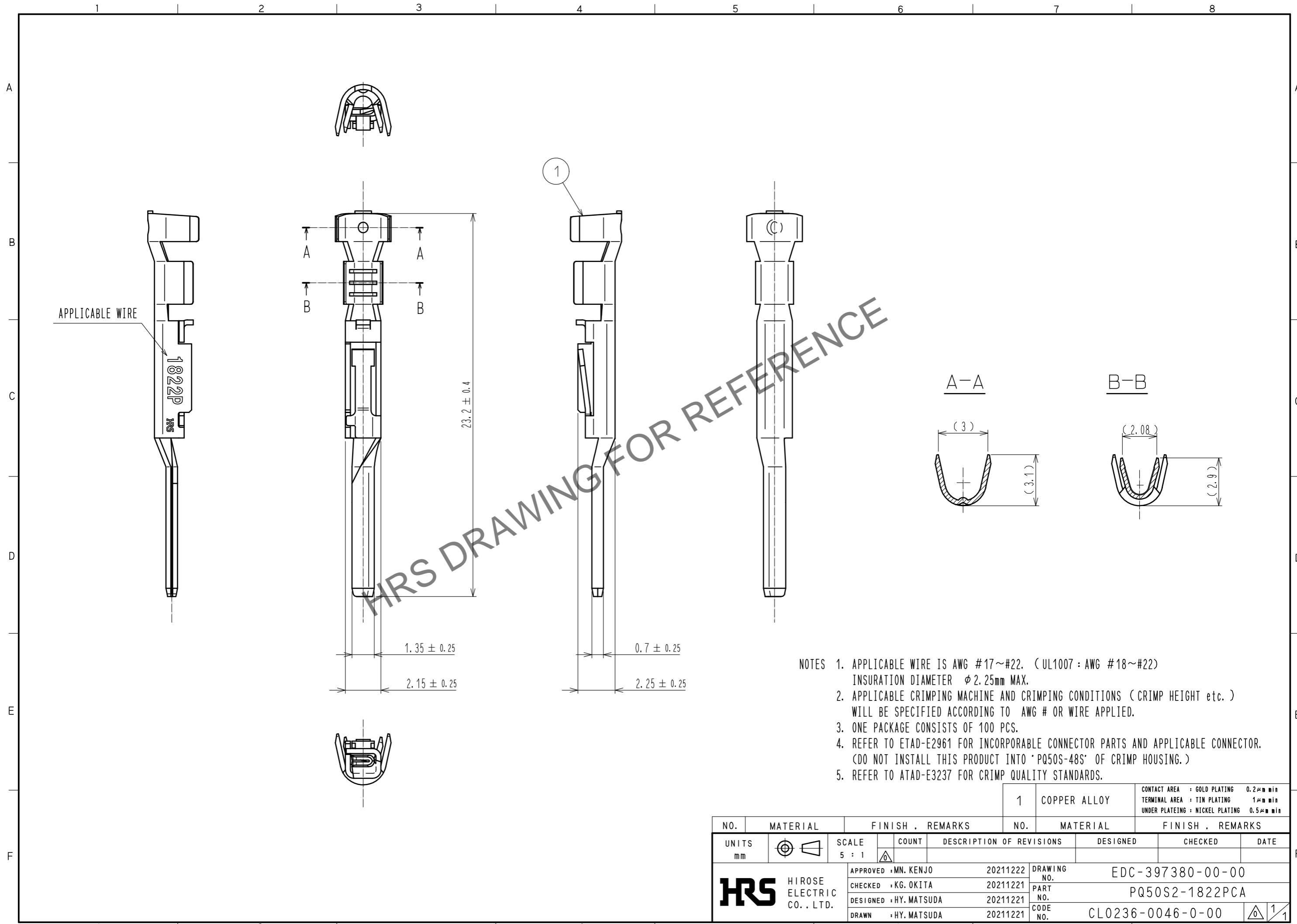


Sep.1.2024 Copyright 2024 HIROSE ELECTRIC CO., LTD. All Rights Reserved.
In case of consideration for using Automotive equipment / device which demand high reliability, kindly contact our sales window correspondents.



- NOTES
1. APPLICABLE WIRE IS AWG #17~#22. (UL1007 : AWG #18~#22)
INSURATION DIAMETER ϕ 2.25mm MAX.
 2. APPLICABLE CRIMPING MACHINE AND CRIMPING CONDITIONS (CRIMP HEIGHT etc.)
WILL BE SPECIFIED ACCORDING TO AWG # OR WIRE APPLIED.
 3. ONE PACKAGE CONSISTS OF 100 PCS.
 4. REFER TO ETAD-E2961 FOR INCORPORABLE CONNECTOR PARTS AND APPLICABLE CONNECTOR.
(DO NOT INSTALL THIS PRODUCT INTO 'PQ50S-48S' OF CRIMP HOUSING.)
 5. REFER TO ATAD-E3237 FOR CRIMP QUALITY STANDARDS.

NO.		MATERIAL		FINISH . REMARKS		NO.		MATERIAL		FINISH . REMARKS	
		1		COPPER ALLOY				CONTACT AREA : GOLD PLATING 0.2 μ m min		TERMINAL AREA : TIN PLATING 1 μ m min	
								UNDER PLATING : NICKEL PLATING 0.5 μ m min			
UNITS mm		SCALE 5 : 1		COUNT		DESCRIPTION OF REVISIONS		DESIGNED		CHECKED	
HRS		HIROSE ELECTRIC CO., LTD.		APPROVED : MN. KENJO 20211222		DRAWING NO. EDC-397380-00-00		DESIGNED		CHECKED	
				CHECKED : KG. OKITA 20211221		PART NO. PQ50S2-1822PCA					
				DESIGNED : HY. MATSUDA 20211221		CODE NO. CL0236-0046-0-00					
				DRAWN : HY. MATSUDA 20211221							