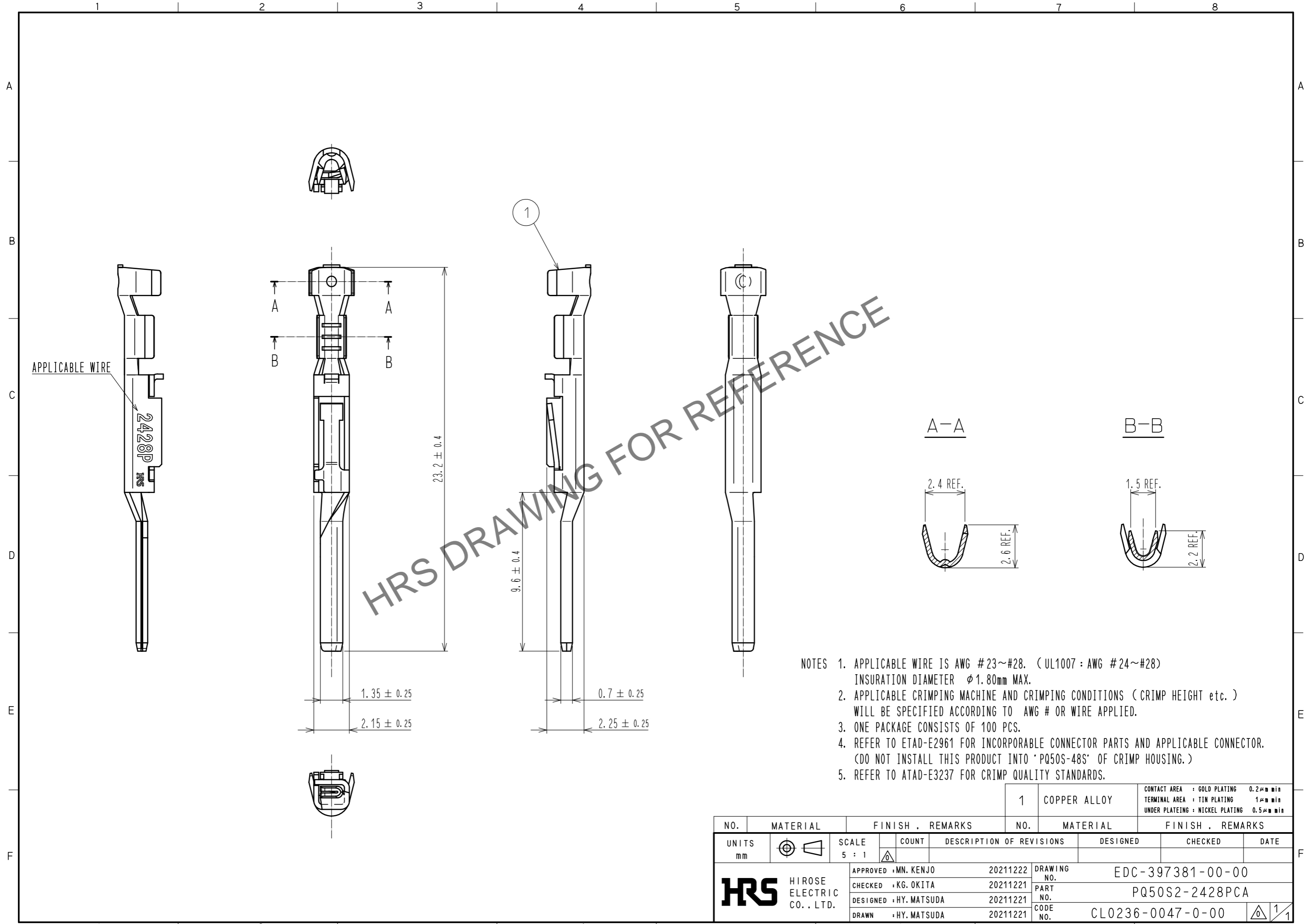
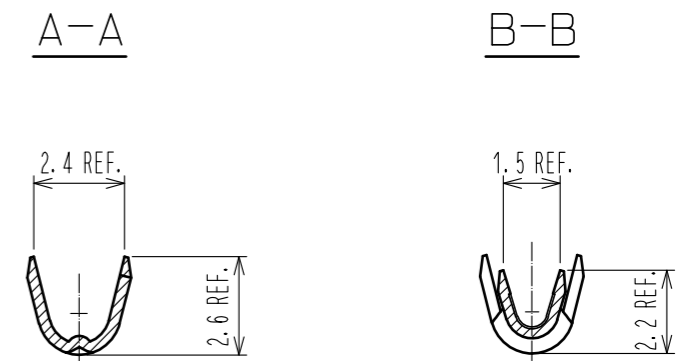


Apr.1.2026 Copyright 2026 HIROSE ELECTRIC CO., LTD. All Rights Reserved.  
 In case of consideration for using Automotive equipment / device which demand high reliability, kindly contact our sales window correspondents.



HRS DRAWING FOR REFERENCE

- NOTES
1. APPLICABLE WIRE IS AWG #23~#28. (UL1007 : AWG #24~#28)  
INSURATION DIAMETER  $\phi$  1.80mm MAX.
  2. APPLICABLE CRIMPING MACHINE AND CRIMPING CONDITIONS (CRIMP HEIGHT etc.) WILL BE SPECIFIED ACCORDING TO AWG # OR WIRE APPLIED.
  3. ONE PACKAGE CONSISTS OF 100 PCS.
  4. REFER TO ETAD-E2961 FOR INCORPORABLE CONNECTOR PARTS AND APPLICABLE CONNECTOR. (DO NOT INSTALL THIS PRODUCT INTO 'PQ50S-48S' OF CRIMP HOUSING.)
  5. REFER TO ATAD-E3237 FOR CRIMP QUALITY STANDARDS.



NO. 1		MATERIAL COPPER ALLOY		CONTACT AREA : GOLD PLATING 0.2 $\mu$ m min	
				TERMINAL AREA : TIN PLATING 1 $\mu$ m min	
				UNDER PLATING : NICKEL PLATING 0.5 $\mu$ m min	
NO.	MATERIAL	FINISH . REMARKS	NO.	MATERIAL	FINISH . REMARKS
UNITS mm		SCALE 5 : 1	COUNT $\Delta$	DESCRIPTION OF REVISIONS	DESIGNED CHECKED DATE
<b>HRS</b> HIROSE ELECTRIC CO., LTD.		APPROVED : MN. KENJO 20211222	DRAWING NO. EDC-397381-00-00		
		CHECKED : KG. OKITA 20211221	PART NO. PQ50S2-2428PCA		
		DESIGNED : HY. MATSUDA 20211221	CODE NO. CL0236-0047-0-00		
		DRAWN : HY. MATSUDA 20211221			