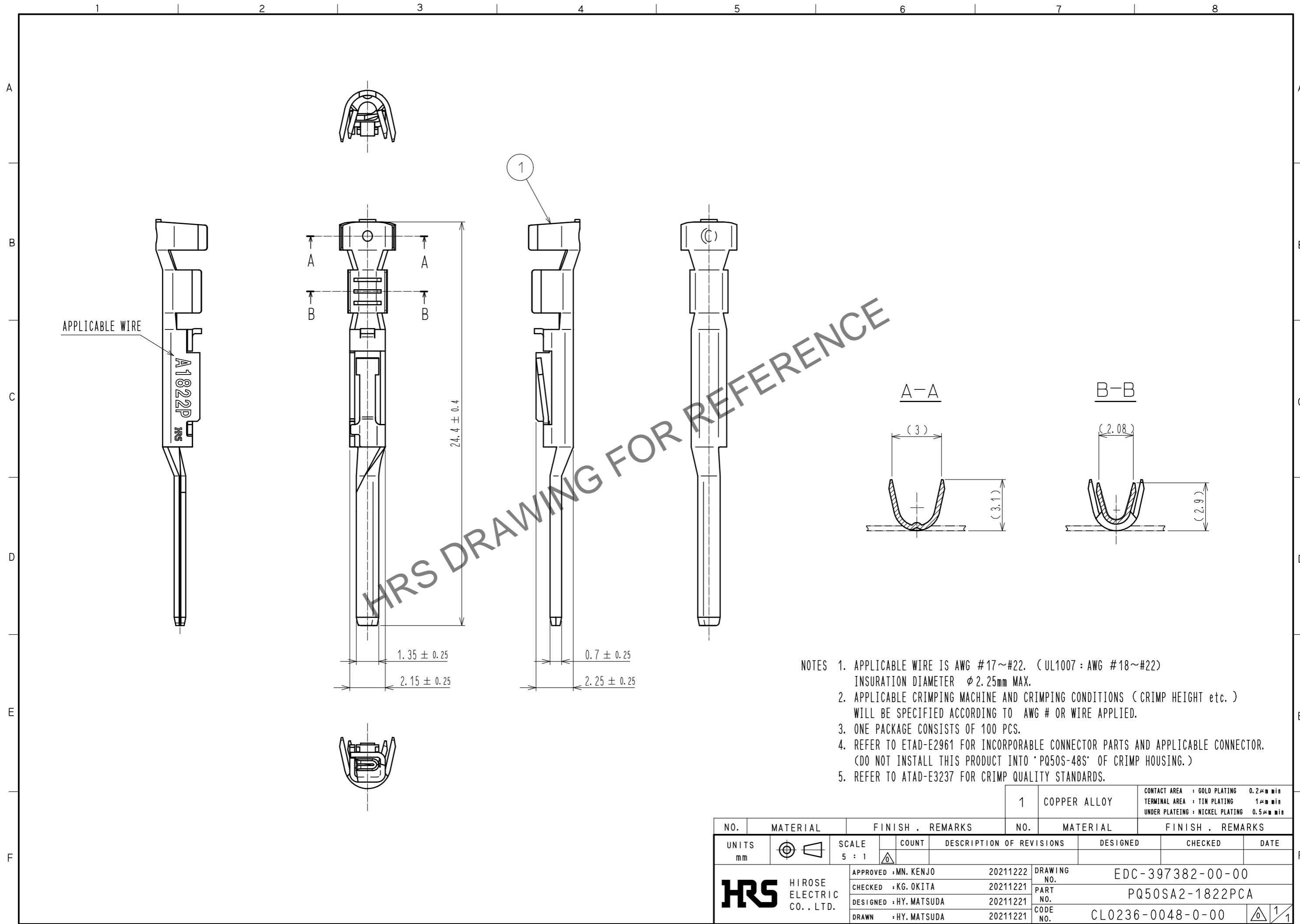


Oct.1.2024 Copyright 2024 HIROSE ELECTRIC CO., LTD. All Rights Reserved.
 In case of consideration for using Automotive equipment / device which demand high reliability, kindly contact our sales window correspondents.



- NOTES
1. APPLICABLE WIRE IS AWG #17~#22. (UL1007 : AWG #18~#22)
INSURATION DIAMETER ϕ 2.25mm MAX.
 2. APPLICABLE CRIMPING MACHINE AND CRIMPING CONDITIONS (CRIMP HEIGHT etc.) WILL BE SPECIFIED ACCORDING TO AWG # OR WIRE APPLIED.
 3. ONE PACKAGE CONSISTS OF 100 PCS.
 4. REFER TO ETAD-E2961 FOR INCORPORABLE CONNECTOR PARTS AND APPLICABLE CONNECTOR.
(DO NOT INSTALL THIS PRODUCT INTO 'PQ50S-48S' OF CRIMP HOUSING.)
 5. REFER TO ATAD-E3237 FOR CRIMP QUALITY STANDARDS.

NO.		MATERIAL		FINISH . REMARKS		NO.		MATERIAL		FINISH . REMARKS	
		1		COPPER ALLOY				CONTACT AREA : GOLD PLATING		0.2 μ m min	
								TERMINAL AREA : TIN PLATING		1 μ m min	
								UNDER PLATING : NICKEL PLATING		0.5 μ m min	
UNITS		SCALE		COUNT		DESCRIPTION OF REVISIONS		DESIGNED		CHECKED	
mm		5 : 1		△						DATE	
HRS HIROSE ELECTRIC CO., LTD.		APPROVED : MN. KENJO		20211222		DRAWING NO.		EDC-397382-00-00			
		CHECKED : KG. OKITA		20211221		PART NO.		PQ50SA2-1822PCA			
		DESIGNED : HY. MATSUDA		20211221		CODE NO.		CL0236-0048-0-00			
		DRAWN : HY. MATSUDA		20211221				△ 1/1			