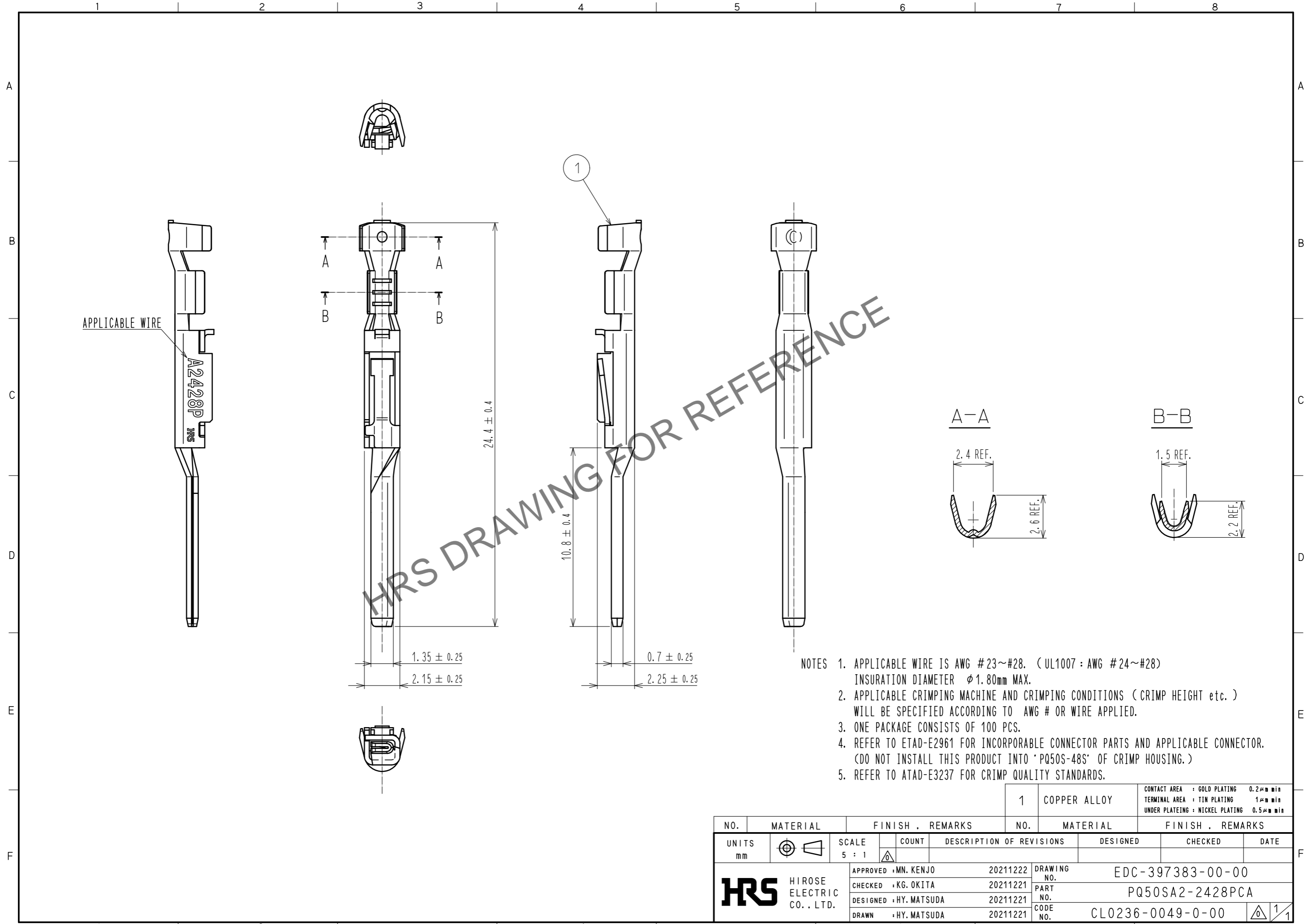
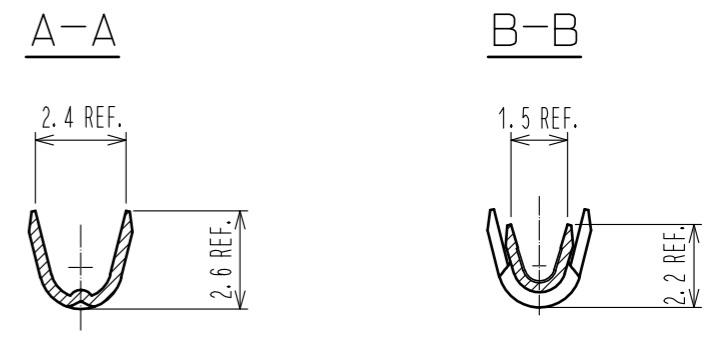


Sep.1.2024 Copyright 2024 HIROSE ELECTRIC CO., LTD. All Rights Reserved.
In case of consideration for using Automotive equipment / device which demand high reliability, kindly contact our sales window correspondents.



- NOTES
1. APPLICABLE WIRE IS AWG #23~#28. (UL1007 : AWG #24~#28)
INSURATION DIAMETER ϕ 1.80mm MAX.
 2. APPLICABLE CRIMPING MACHINE AND CRIMPING CONDITIONS (CRIMP HEIGHT etc.)
WILL BE SPECIFIED ACCORDING TO AWG # OR WIRE APPLIED.
 3. ONE PACKAGE CONSISTS OF 100 PCS.
 4. REFER TO ETAD-E2961 FOR INCORPORABLE CONNECTOR PARTS AND APPLICABLE CONNECTOR.
(DO NOT INSTALL THIS PRODUCT INTO 'PQ50S-48S' OF CRIMP HOUSING.)
 5. REFER TO ATAD-E3237 FOR CRIMP QUALITY STANDARDS.



NO.		MATERIAL		FINISH . REMARKS		NO.		MATERIAL		FINISH . REMARKS	
		1		COPPER ALLOY				CONTACT AREA : GOLD PLATING 0.2 μ m min		TERMINAL AREA : TIN PLATING 1 μ m min	
								UNDER PLATING : NICKEL PLATING 0.5 μ m min			
UNITS		SCALE	COUNT	DESCRIPTION OF REVISIONS				DESIGNED	CHECKED	DATE	
mm		5 : 1	Δ								
HRS HIROSE ELECTRIC CO., LTD.		APPROVED : MN. KENJO	20211222	DRAWING NO. EDC-397383-00-00							
		CHECKED : KG. OKITA	20211221	PART NO. PQ50SA2-2428PCA							
		DESIGNED : HY. MATSUDA	20211221	CODE NO. CL0236-0049-0-00							
		DRAWN : HY. MATSUDA	20211221								