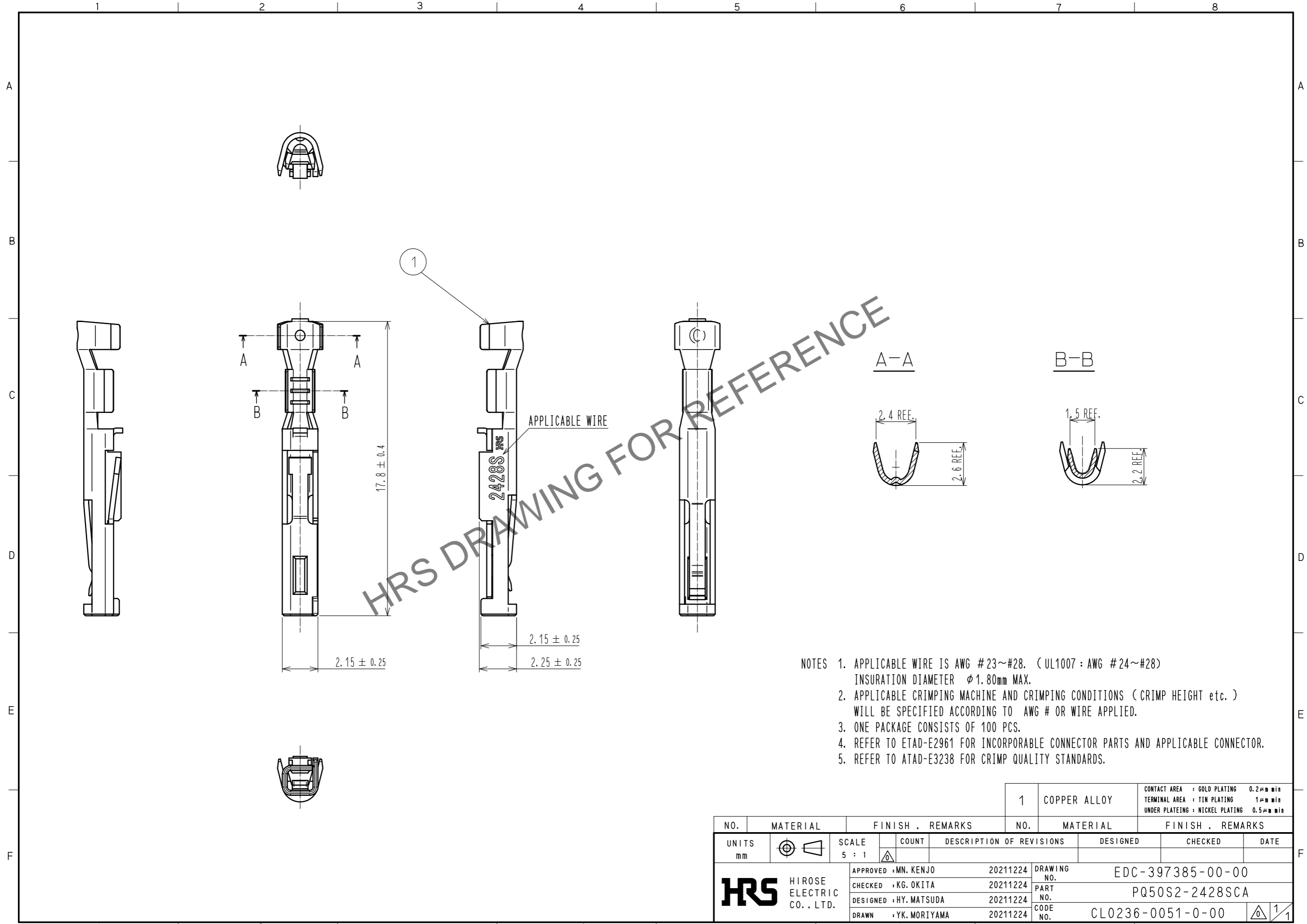


Oct.1.2024 Copyright 2024 HIROSE ELECTRIC CO., LTD. All Rights Reserved.
 In case of consideration for using Automotive equipment / device which demand high reliability, kindly contact our sales window correspondents.



- NOTES
1. APPLICABLE WIRE IS AWG #23~#28. (UL1007 : AWG #24~#28)
INSURATION DIAMETER ϕ 1.80mm MAX.
 2. APPLICABLE CRIMPING MACHINE AND CRIMPING CONDITIONS (CRIMP HEIGHT etc.) WILL BE SPECIFIED ACCORDING TO AWG # OR WIRE APPLIED.
 3. ONE PACKAGE CONSISTS OF 100 PCS.
 4. REFER TO ETAD-E2961 FOR INCORPORABLE CONNECTOR PARTS AND APPLICABLE CONNECTOR.
 5. REFER TO ATAD-E3238 FOR CRIMP QUALITY STANDARDS.

NO.		MATERIAL		FINISH . REMARKS		NO.		MATERIAL		FINISH . REMARKS	
		1		COPPER ALLOY				CONTACT AREA : GOLD PLATING 0.2 μ m min		TERMINAL AREA : TIN PLATING 1 μ m min	
								UNDER PLATING : NICKEL PLATING 0.5 μ m min			
UNITS		SCALE	COUNT	DESCRIPTION OF REVISIONS				DESIGNED	CHECKED	DATE	
mm		5 : 1	Δ								
HRS HIROSE ELECTRIC CO., LTD.		APPROVED : MN. KENJO	20211224	DRAWING NO.				EDC-397385-00-00			
		CHECKED : KG. OKITA	20211224	PART NO.				PQ50S2-2428SCA			
		DESIGNED : HY. MATSUDA	20211224	CODE NO.				CL0236-0051-0-00			
		DRAWN : YK. MORIYAMA	20211224					Δ 1/1			