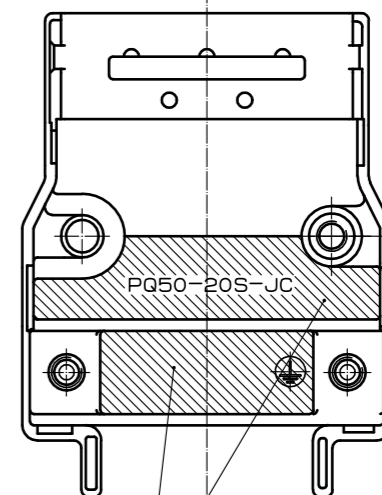
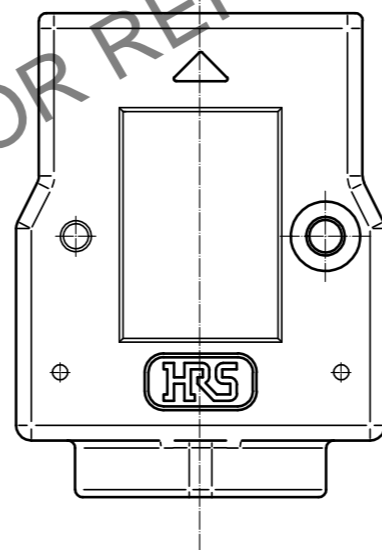
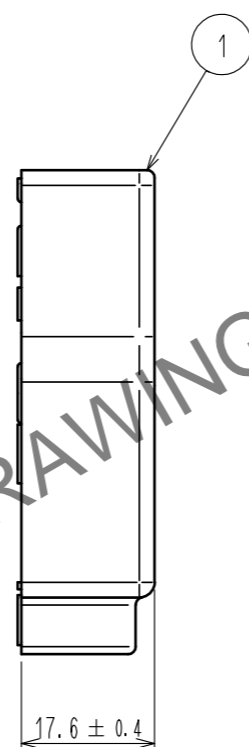
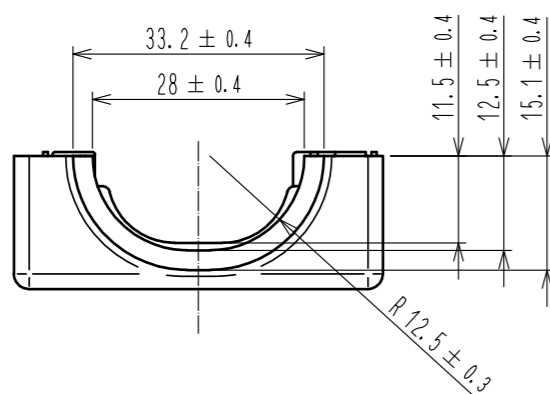
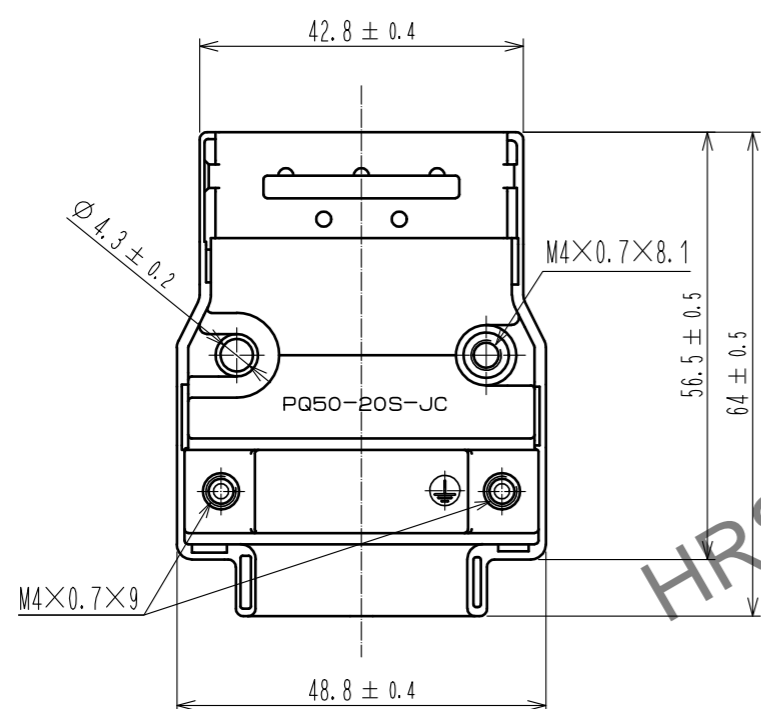
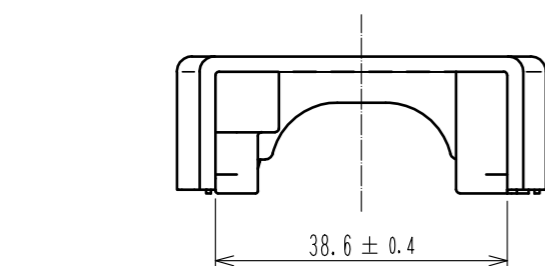


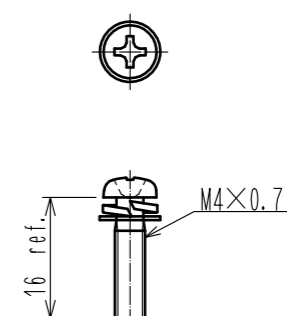
Oct.1.2024 Copyright 2024 HIROSE ELECTRIC CO., LTD. All Rights Reserved.  
 In case of consideration for using Automotive equipment / device which demand high reliability, kindly contact our sales window correspondents.



Hatched bottom areas and the side wall up to 10 max. high from the bottom surface.

② Attachment

JIS B 1188 : Cross recessed need screws with captive washer  
 M4×0.7×16



③ Electrode touched area for rack plating

- Note 1. Refer to ETAD-E 2925 for the applicable components assembled with this product.  
 2. Swelling max 1.2mm dia. and 0.15mm height could appear on the surface due to die-casting, but it doesn't affect the performance.  
 ③ The color of hatched area could be different due to the rack plating process, touching the electrodes to the specified area, but it doesn't affect the performance.

1	ZDC2	Surface plating : Nickel 2μm min Under plating : Copper 7μm min	2	Steel	Surface plating : Nickel 2μm min Under plating : Copper 3μm min			
NO.	MATERIAL	FINISH . REMARKS	NO.	MATERIAL	FINISH . REMARKS			
UNITS mm		SCALE 1 : 1		COUNT	DESCRIPTION OF REVISIONS	DESIGNED	CHECKED	DATE
		APPROVED : NM. NISHIMATSU	17.01.25	DRAWING NO.		EDC-126916-01-00		
HIROSE ELECTRIC CO., LTD.		CHECKED : NM. NISHIMATSU	17.01.25	PART NO.		PQ50-20S-JC(01)		
		DESIGNED : MO. SHIMOYAMA	17.01.25	CODE NO.		CL236-2002-3-01		
		DRAWN : JY. IGA	17.01.25					