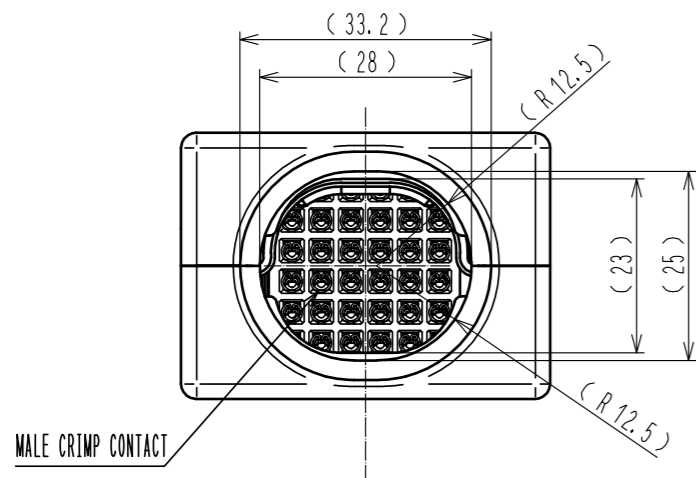
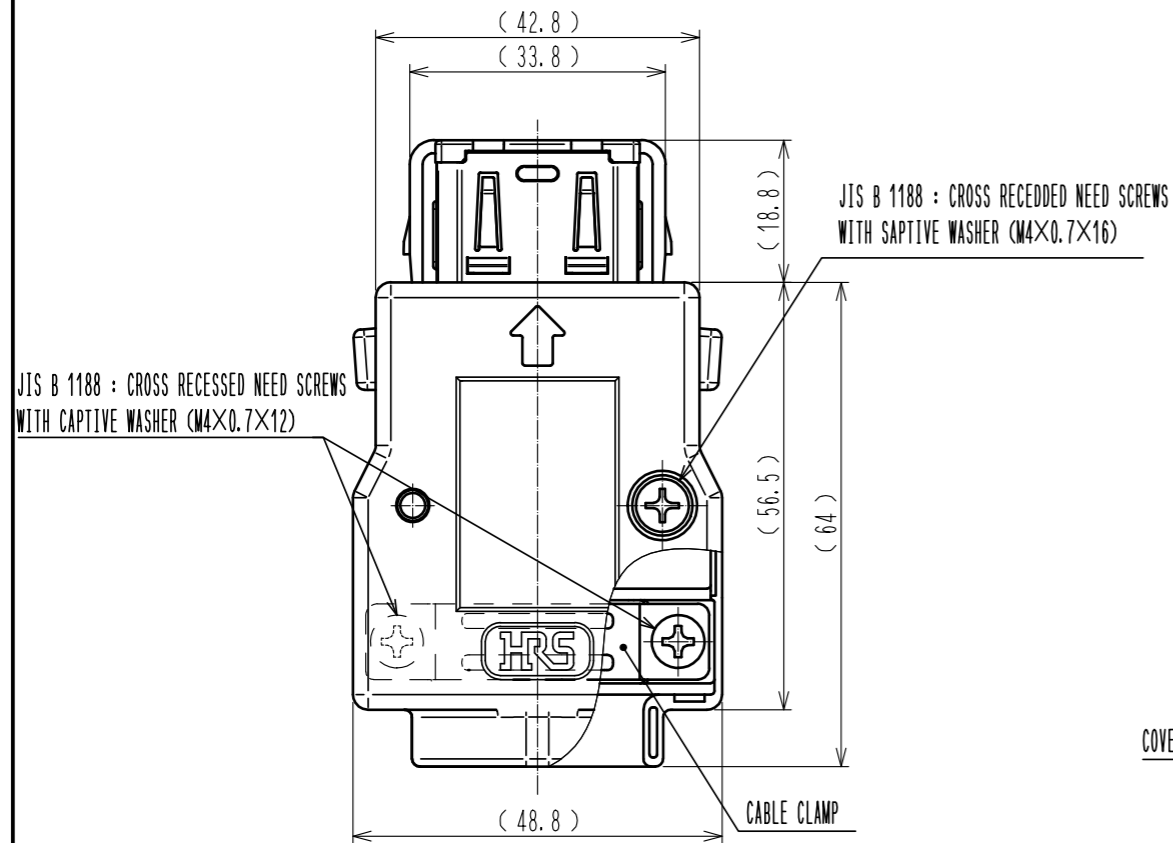
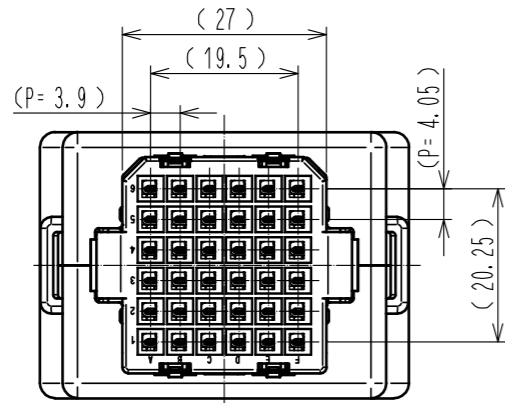
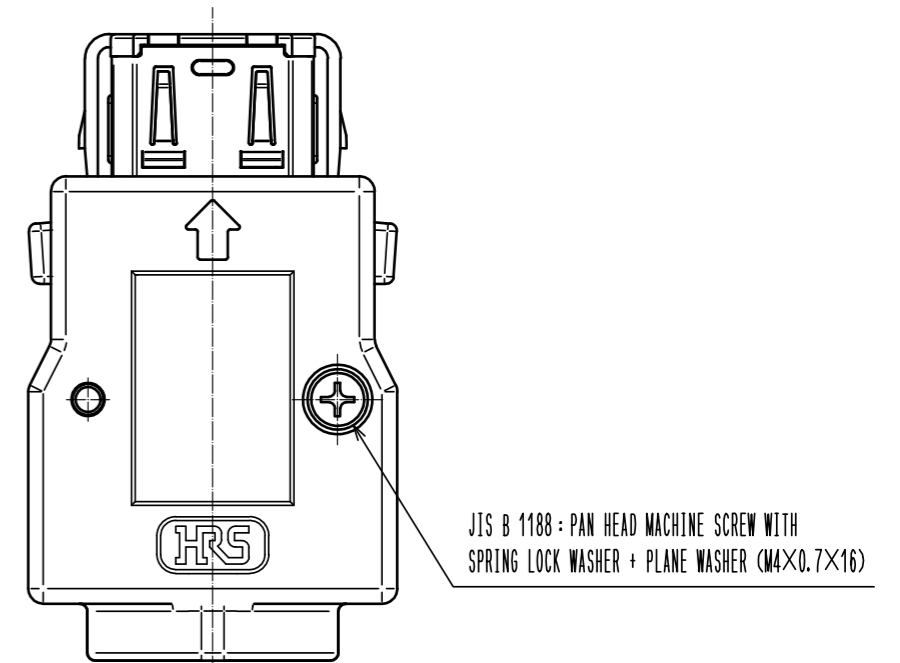
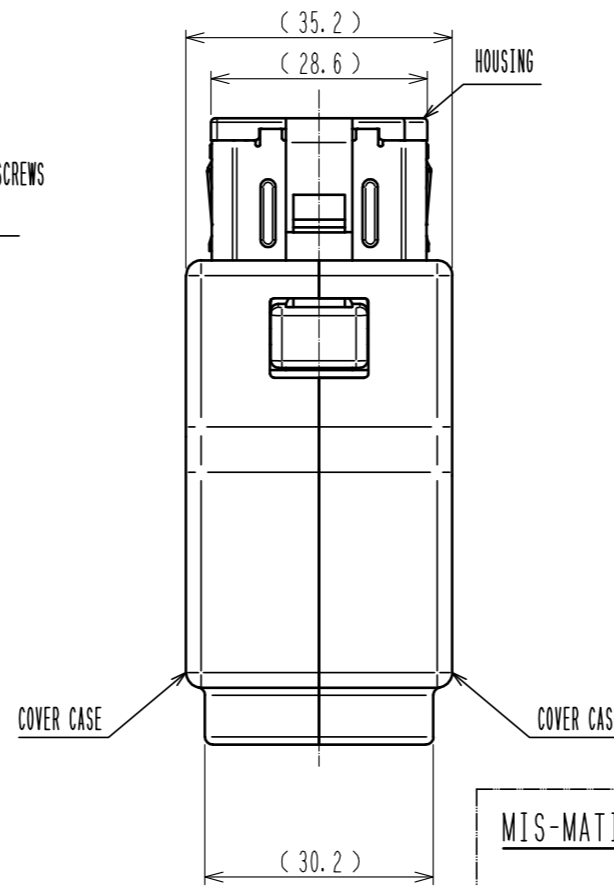


CABLE PLUG (MALE CONTACT, PQ50S SERIES 36positions. TYPE)

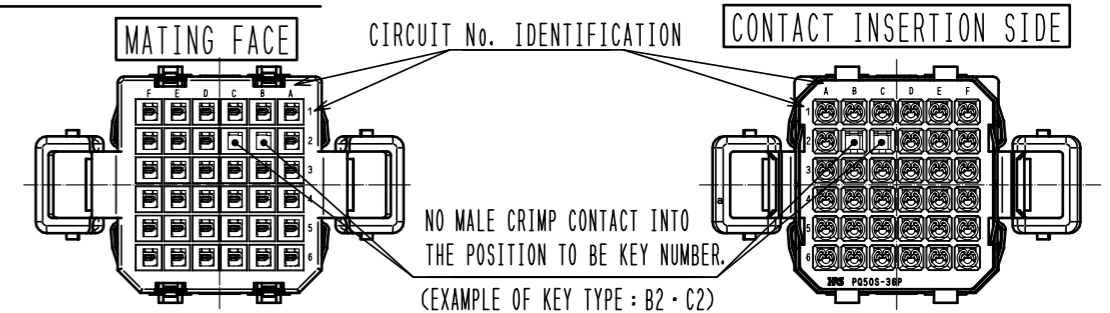


BILL OF MATERIAL FOR A CABLE PLUG (MALE CONTACT) REQUIRED QUANTITY

COMPONENT	REQUIRED QUANTITY	PART No.	CL No.	REMARKS
HOUSING	1	PQ50S-36P	CL236-2123-0	THE PRODUCT IS A HOUSING WITH TWO SHIELD SHELLS ASSEMBLED IN A P-INSULATED CASE.
COVER CASE	2	PQ50-20P-PC	CL236-2000-8	TWO PIECES OF SINGLE-UNIT ARE USED. JIS B 1188 : CROSS RECESSED NEED SCREWS WITH CAPTIVE WASHER (M4×0.7×16) ATTACHMENT
CABLE CLAMP	1	PQ-CM(22.0) or PQ-CM(15.0)	CL236-2013-0 or CL236-2005-1	APPLICABLE CABLE OUTER DIA : φ22mm or φ15mm JIS B 1188 : CROSS RECESSED NEED SCREWS WITH CAPTIVE WASHER (M4×0.7×12) ATTACHMENT
MALE CRIMP CONTACT (STANDARD CONTACT)	① REQUIRED NUMBER	PQ50S2-1618PCFA	CL236-0032-0	APPLICABLE WIRE : UL1007 AWG#16~18, UL1015 AWG#16~18
	② REQUIRED NUMBER	PQ50S2-1822PCFA	CL236-0035-0	APPLICABLE WIRE : UL1007 AWG#18~22, UL1015 AWG#18~22
	③ REQUIRED NUMBER	PQ50S2-2428PCFA	CL236-0038-0	APPLICABLE WIRE : UL1007 AWG#24~28, UL1015 AWG#24~28



MIS-MATING PREVENTION KEY (POLARIZATION) TYPE



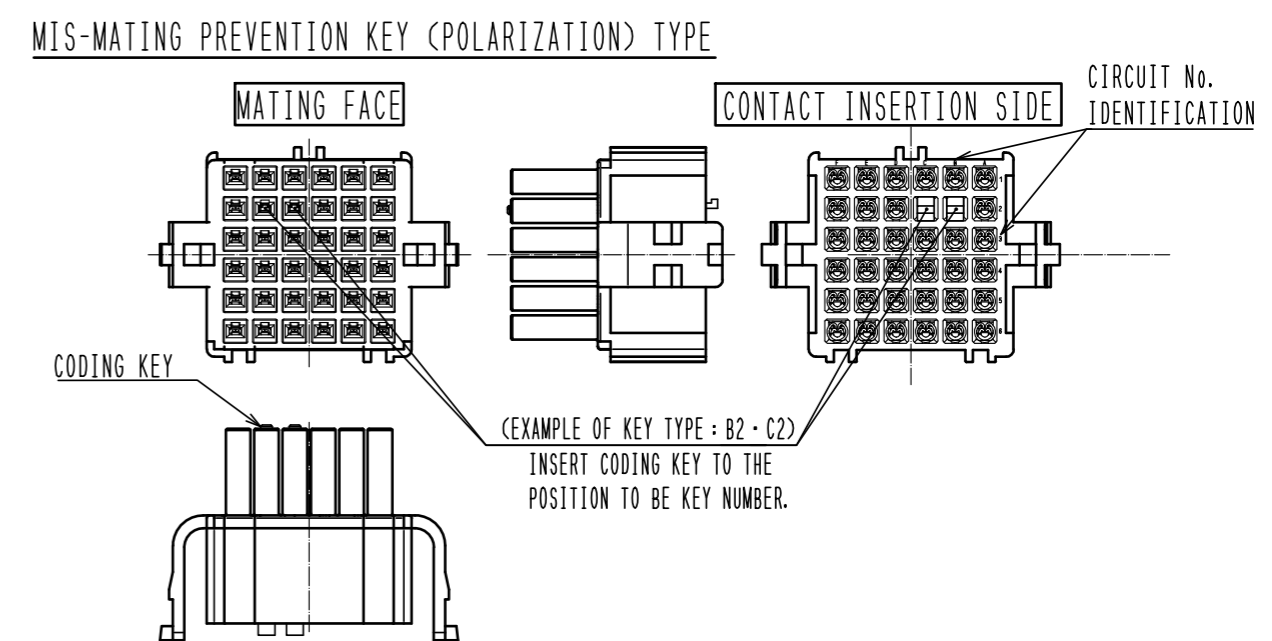
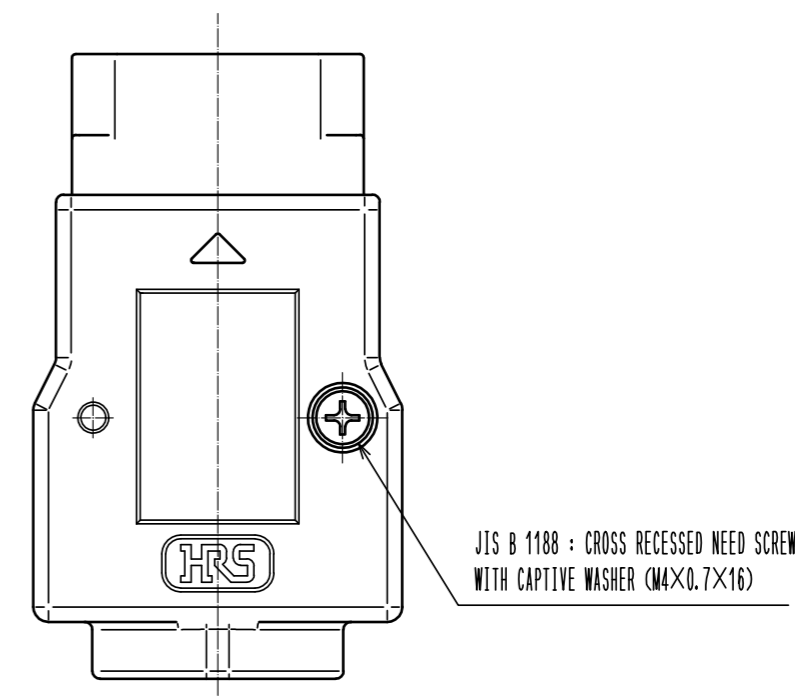
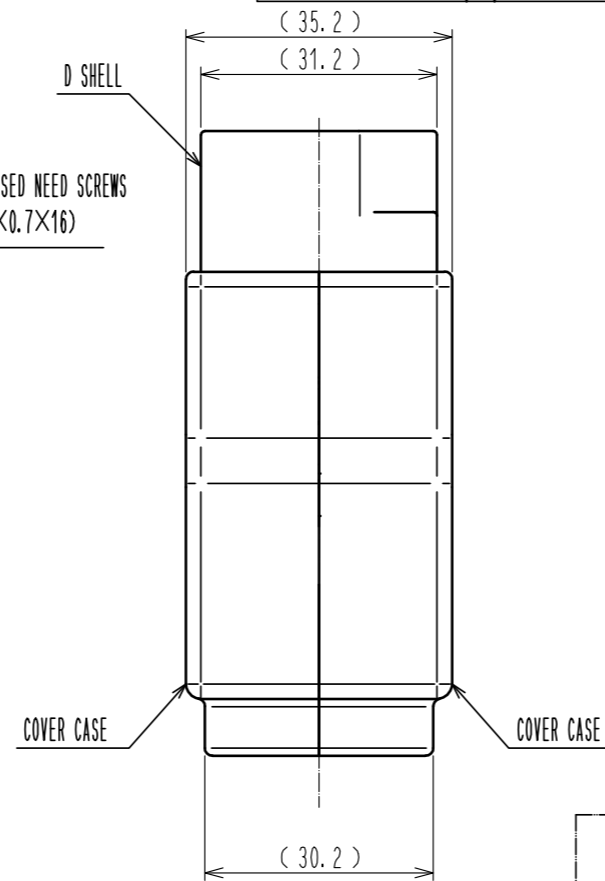
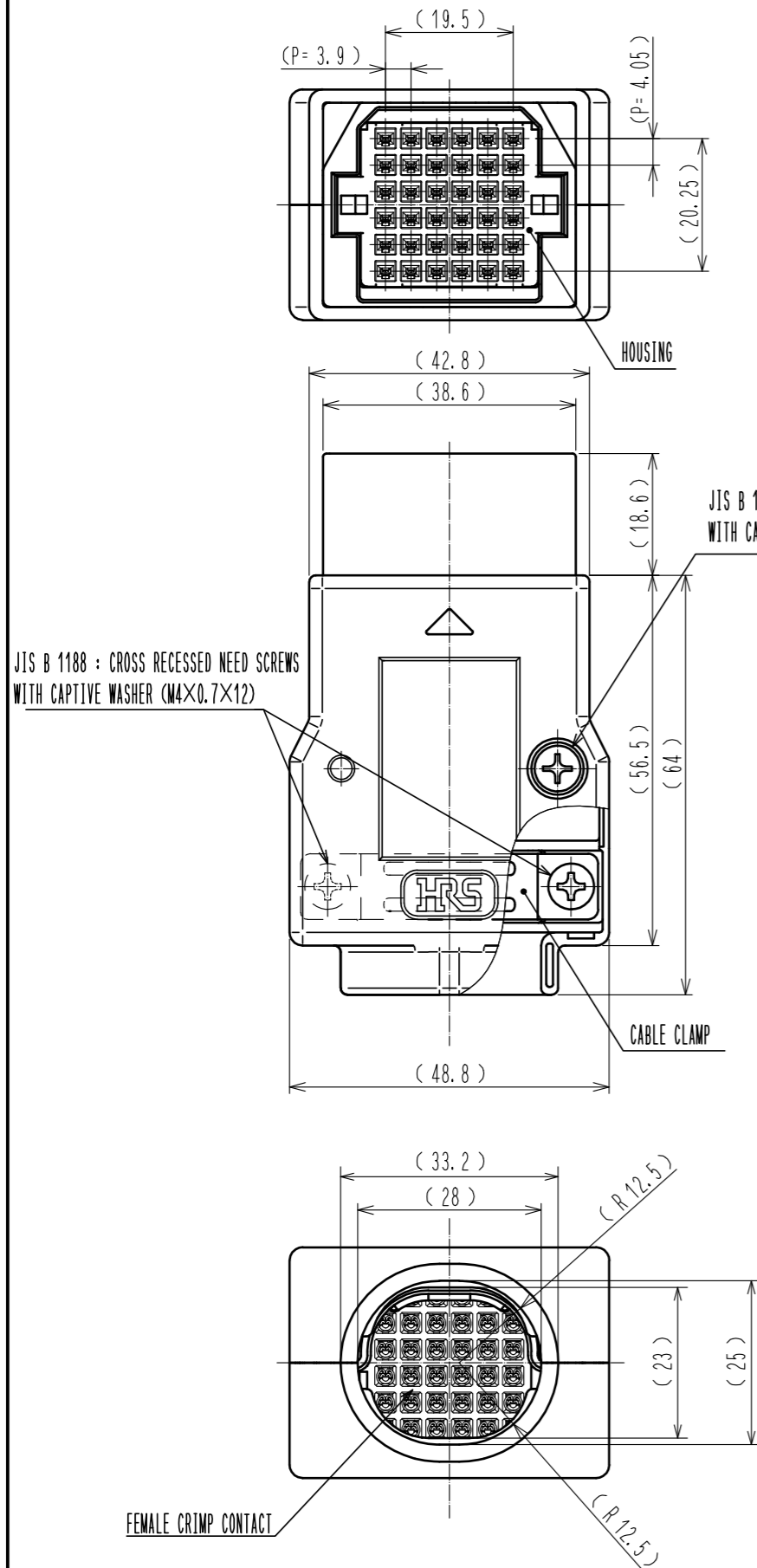
COUNT	DESCRIPTION OF REVISIONS	DESIGNED	CHECKED	DATE
3	DIS-E-00014649	KIM JAEHYEON	KG. OKITA	20230901
TITLE		<p>PQ50S SRIESE 36positions. TYPE ASSEMBLED & MATED CONDITION</p>		
TECHNICAL SPECIFICATION		<p>ETAD-E3185-00</p>		

HRS HIROSE ELECTRIC CO., LTD.		
APPROVED	MN. KENJO	20220106
CHECKED	KG. OKITA	20220106
CHARGED	HY. MATSUDA	20211229
WRITTEN	KH. KOGI	20211229

IN-LINE RECEPTACLE (FEMALE CONTACT, PQ50S SERIES 36positions. TYPE)

BILL OF MATERIAL FOR AN IN-LINE RECEPTACLE (FEMALE CONTACT) REQUIRED QUANTITY

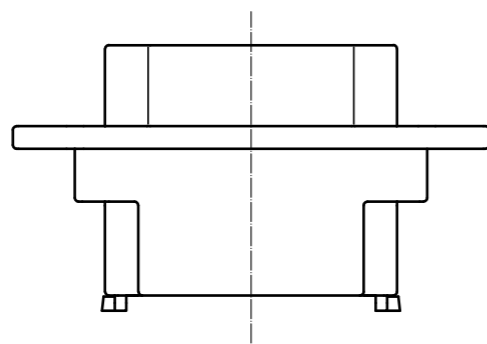
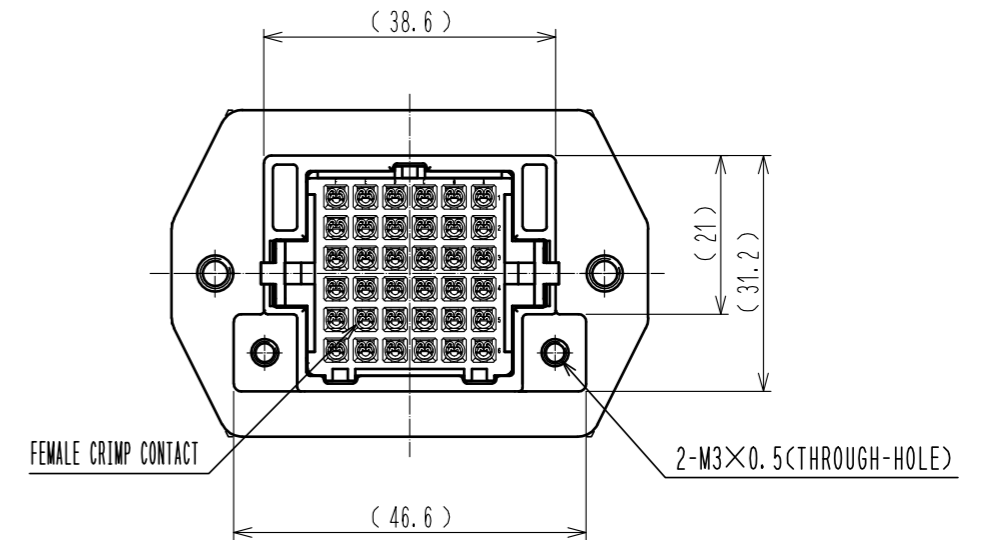
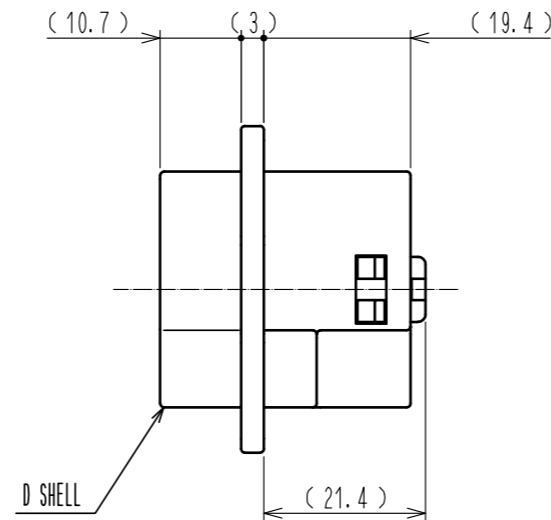
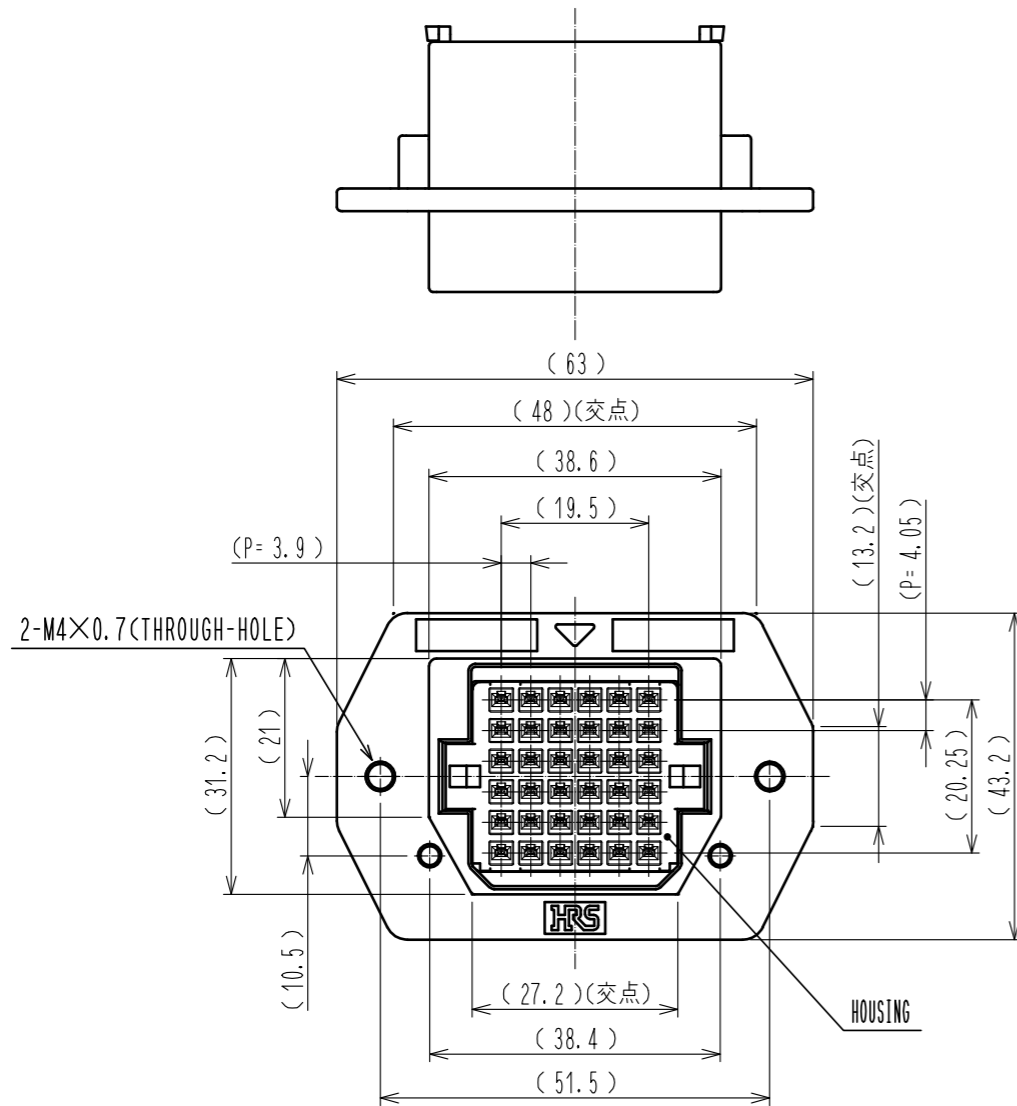
COMPONENT	REQUIRED QUANTITY	PART No.	CL No.	REMARKS
HOUSING	1	PQ50S-36S	CL236-2122-0	THE PRODUCT IS ONLY AVAILABLE IN S INSULATED CASE.
D SHELL	1	PQ50-20S-DS	CL236-2015-5	
COVER CASE	2	PQ50-20S-JC	CL236-2002-3	TWO PIECES OF SINGLE-UNIT ARE USED. JIS B 1188 : CROSS RECESSED NEED SCREWS WITH CAPTIVE WASHER (M4×0.7×16) ATTACHMENT
CABLE CLAMP	1	PQ-CM(22.0) or PQ-CM(15.0)	CL236-2013-0 or CL236-2005-1	APPLICABLE CABLE OUTER DIA : $\phi 22\text{mm}$ or $\phi 15\text{mm}$ JIS B 1188 : CROSS RECESSED NEED SCREWS WITH CAPTIVE WASHER (M4×0.7×12) ATTACHMENT
FEMALE CRIMP CONTACT	① REQUIRED NUMBER	PQ50S2-1618SCFA	CL236-0042-0	APPLICABLE WIRE : UL1007 AWG#16~18, UL1015 AWG#16~18
	② REQUIRED NUMBER	PQ50S2-1822SCFA	CL236-0036-0	APPLICABLE WIRE : UL1007 AWG#18~22, UL1015 AWG#18~22
	③ REQUIRED NUMBER	PQ50S2-2428SCFA	CL236-0039-0	APPLICABLE WIRE : UL1007 AWG#24~28, UL1015 AWG#24~28
CODING KEY	④ REQUIRED NUMBER	PQ50S-SC-KY	CL236-2033-7	DUMMY CONTACT FOR MIS-MATING PREVENTION.



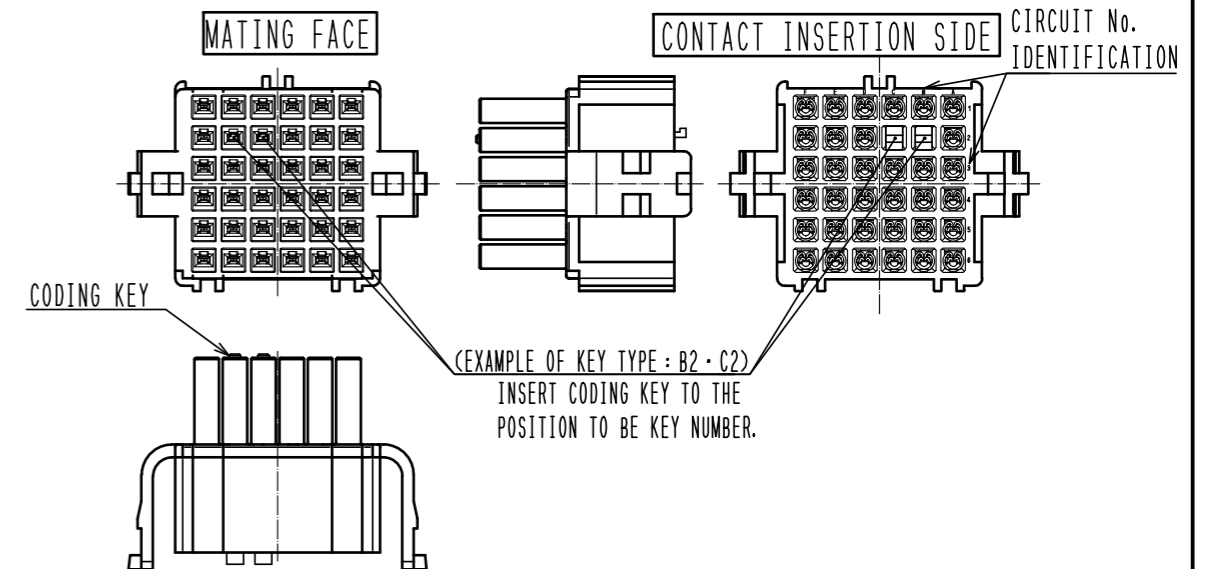
PANEL ATTACHMENT RECEPTACLE (FEMALE CONTACT, PQ50S SERIES 36positions.TYPE)

BILL OF MATERIAL FOR AN IN-LINE RECEPTACLE (FEMALE CONTACT) REQUIRED QUANTITY

COMPONENT	REQUIRED QUANTITY	PART No.	CL No.	REMARKS
HOUSING	1	PQ50S-36S	CL236-2122-0	THE PRODUCT IS ONLY AVAILABLE IN S INSULATED CASE.
D SHELL	1	PQ50-20S-FL	CL236-2001-0	
FEMALE CRIMP CONTACT	① REQUIRED NUMBER	PQ50S2-1618SCFA	CL236-0042-0	APPLICABLE WIRE : UL1007 AWG#16~18, UL1015 AWG#16~18
	② REQUIRED NUMBER	PQ50S2-1822SCFA	CL236-0036-0	APPLICABLE WIRE : UL1007 AWG#18~22, UL1015 AWG#18~22
	③ REQUIRED NUMBER	PQ50S2-2428SCFA	CL236-0039-0	APPLICABLE WIRE : UL1007 AWG#24~28, UL1015 AWG#24~28
CODING KEY	④ REQUIRED NUMBER	PQ50S-SC-KY	CL236-2033-7	DUMMY CONTACT FOR MIS-MATING PREVENTION.



MIS-MATING PREVENTION KEY (POLARIZATION) TYPE



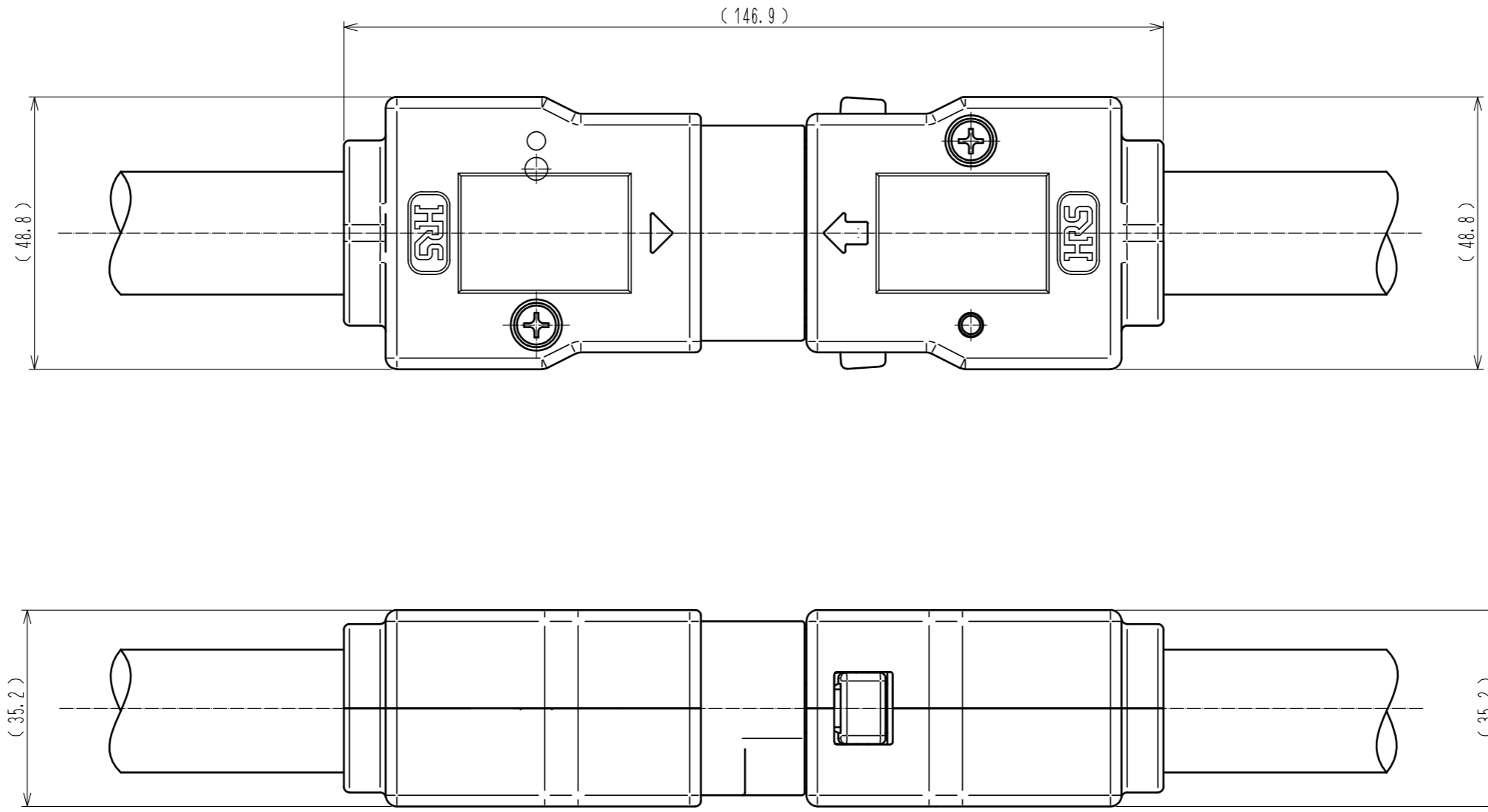
HRS

HIROSE ELECTRIC CO., LTD.

ETAD-E3185-00

3/5

A CABLE PLUG (MALE CONTACT) AND AN IN-LINE RECEPTACLE (FEMALE CONTACT) MATED CONDITION



Nov.1.2024 Copyright 2024 HIROSE ELECTRIC CO., LTD. All Rights Reserved.



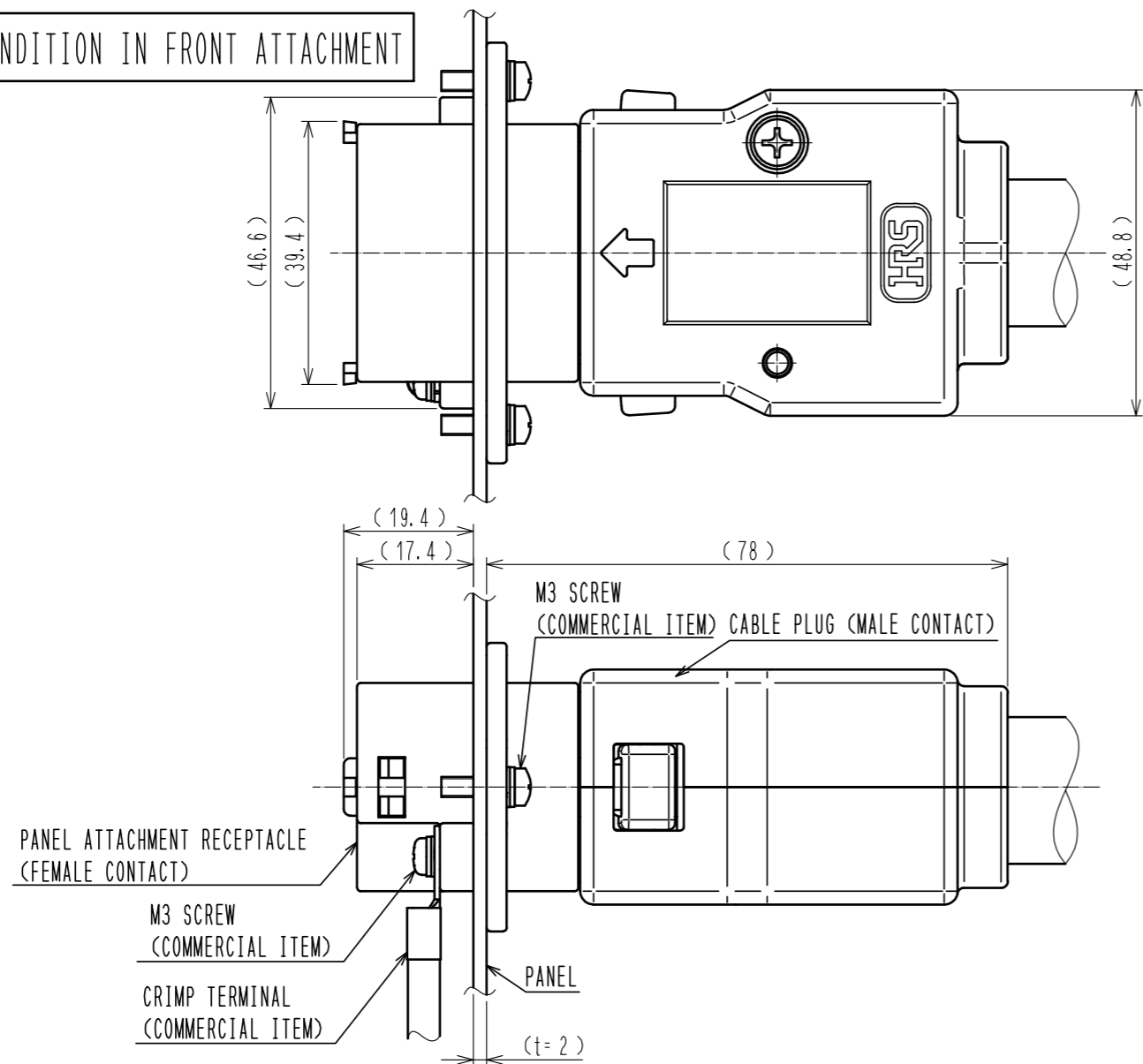
HIROSE ELECTRIC CO., LTD.

ETAD-E3185-00

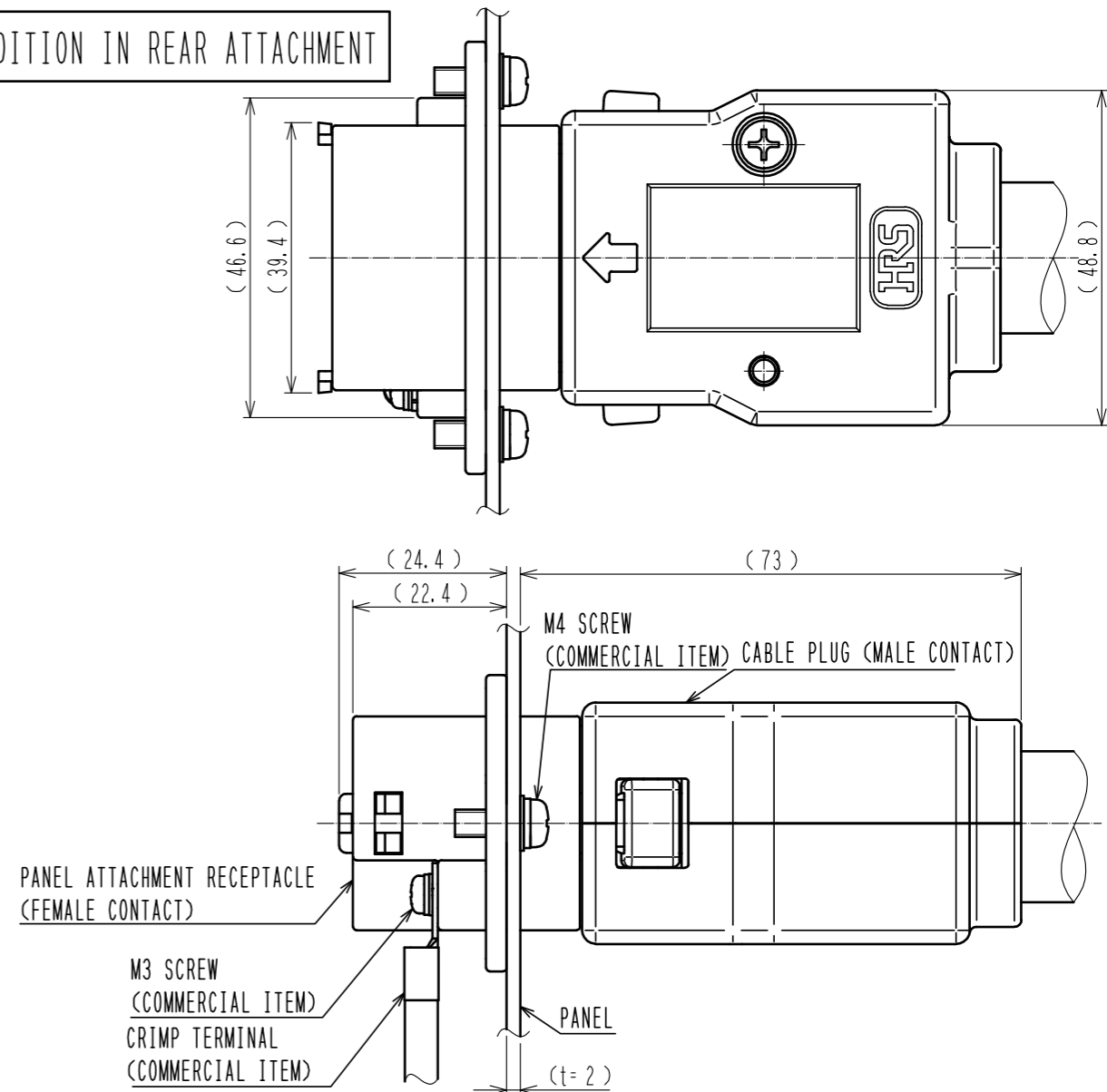


A CABLE PLUG (MALE CONTACT) AND A PANEL ATTACHMENT RECEPTACLE (FEMALE CONTACT) MATED CONDITION

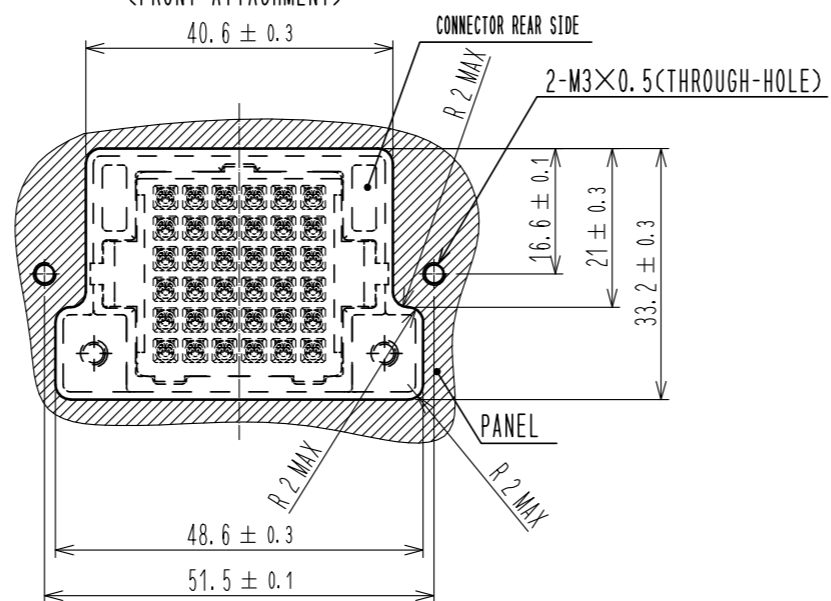
MATED CONDITION IN FRONT ATTACHMENT



MATED CONDITION IN REAR ATTACHMENT



RECOMMENDED PANEL CUTOUT DIMENSIONS (FRONT ATTACHMENT)



RECOMMENDED PANEL CUTOUT DIMENSIONS (REAR ATTACHMENT)

