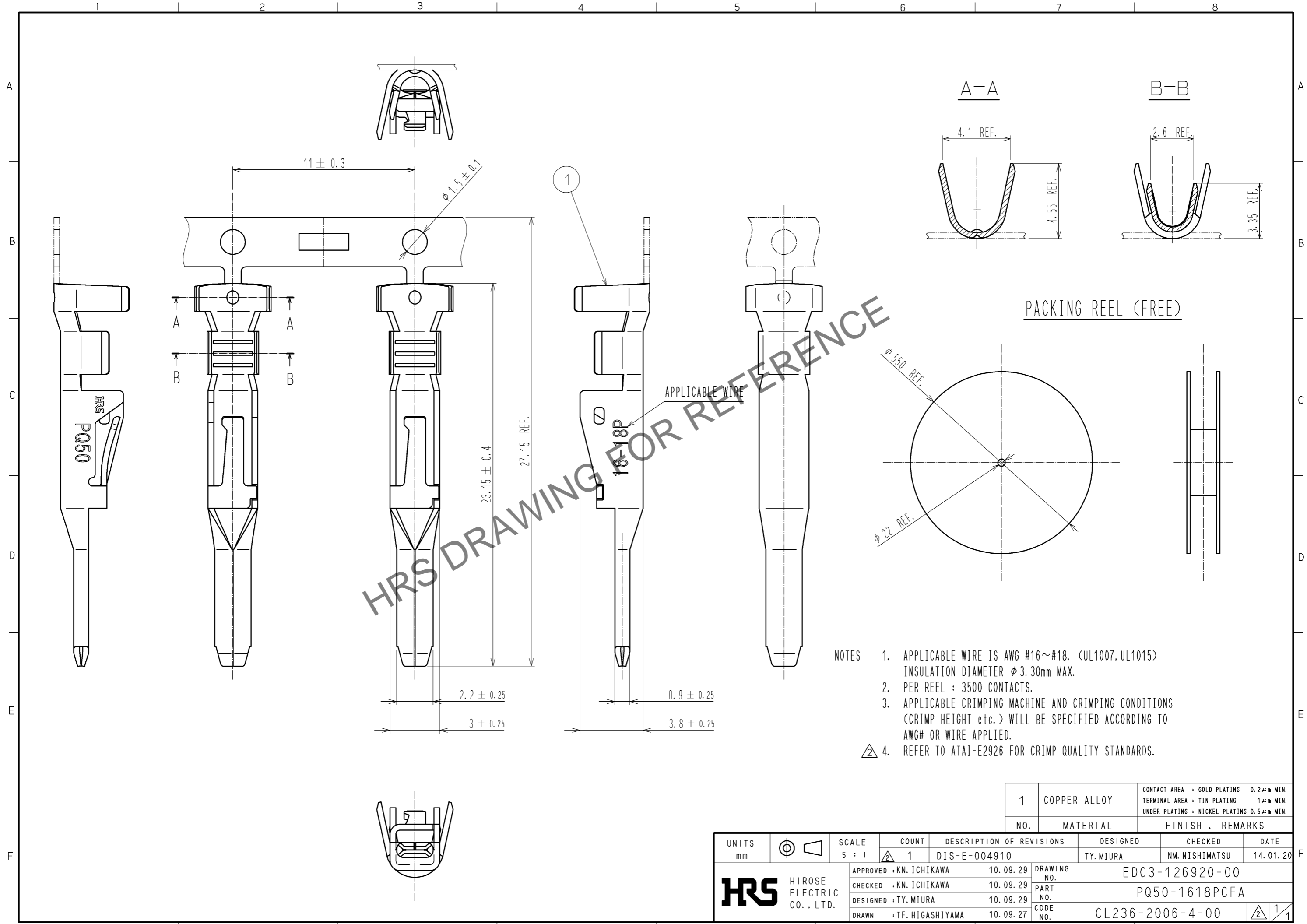


Oct.1.2024 Copyright 2024 HIROSE ELECTRIC CO., LTD. All Rights Reserved.
 In case of consideration for using Automotive equipment / device which demand high reliability, kindly contact our sales window correspondents.



- NOTES
1. APPLICABLE WIRE IS AWG #16~#18. (UL1007, UL1015)
INSULATION DIAMETER φ3.30mm MAX.
 2. PER REEL : 3500 CONTACTS.
 3. APPLICABLE CRIMPING MACHINE AND CRIMPING CONDITIONS (CRIMP HEIGHT etc.) WILL BE SPECIFIED ACCORDING TO AWG# OR WIRE APPLIED.
 4. REFER TO ATAI-E2926 FOR CRIMP QUALITY STANDARDS.

1	COPPER ALLOY	CONTACT AREA : GOLD PLATING 0.2μm MIN. TERMINAL AREA : TIN PLATING 1μm MIN. UNDER PLATING : NICKEL PLATING 0.5μm MIN.
NO.	MATERIAL	FINISH . REMARKS

UNITS mm		SCALE 5 : 1	COUNT 1	DESCRIPTION OF REVISIONS DIS-E-004910	DESIGNED TY. MIURA	CHECKED NM. NISHIMATSU	DATE 14. 01. 20
HRS HIROSE ELECTRIC CO., LTD.		APPROVED : KN. ICHIKAWA 10. 09. 29	DRAWING NO. EDC3-126920-00	CHECKED : KN. ICHIKAWA 10. 09. 29	PART NO. PQ50-1618PCFA	DESIGNED : TY. MIURA 10. 09. 29	CODE NO. CL236-2006-4-00
		DRAWN : TF. HIGASHIYAMA 10. 09. 27					