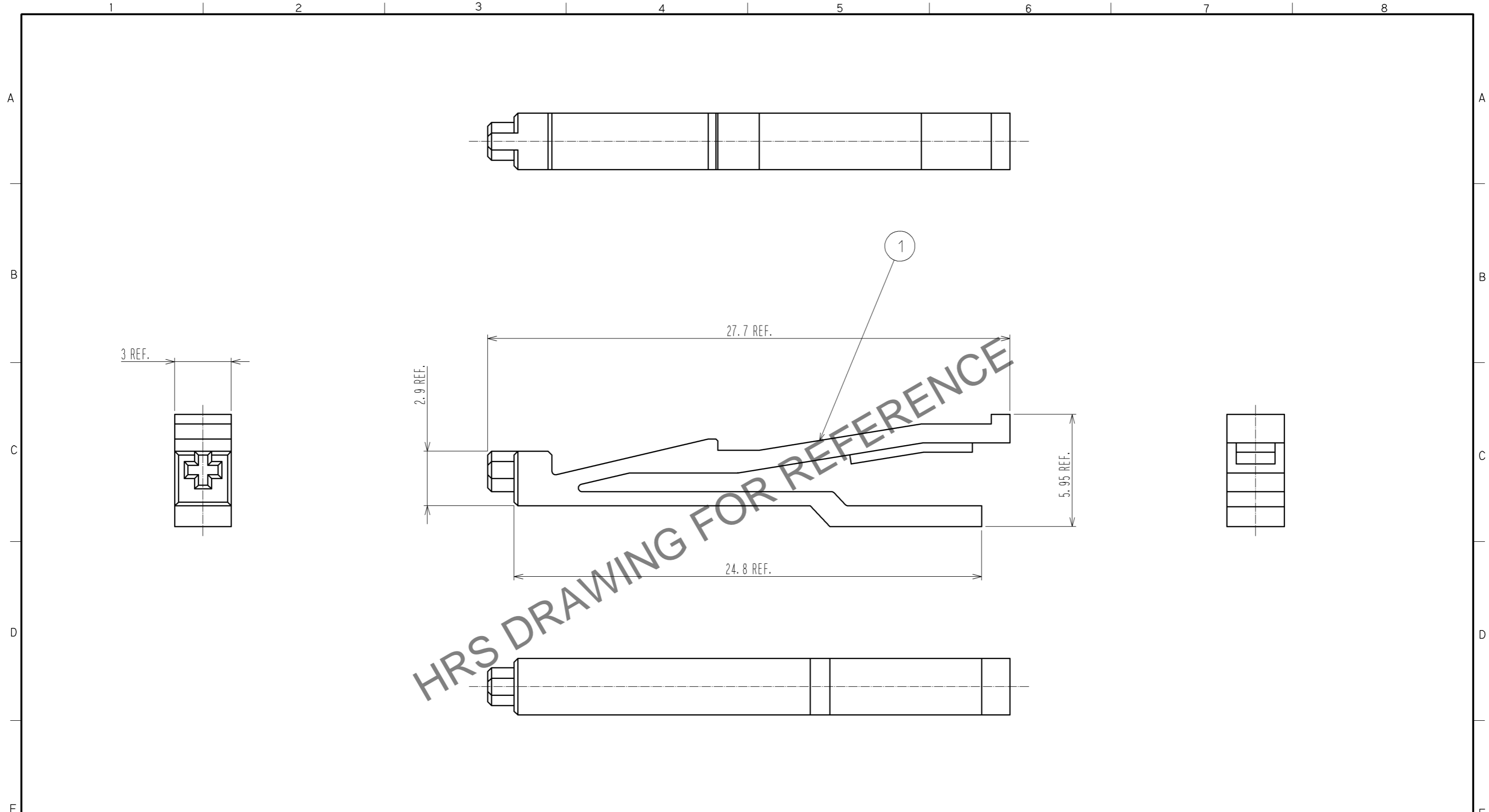


Oct.1.2024 Copyright 2024 HIROSE ELECTRIC CO., LTD. All Rights Reserved.
 In case of consideration for using Automotive equipment / device which demand high reliability, kindly contact our sales window correspondents.



- NOTE 1. REFER TO ETAD-E2925 FOR THE APPLICABLE COMPONENT ASSEMBLED WITH THIS PRODUCT.
 2. THIS PRODUCT IS AVAILABLE 100 PCS IN ONE PACK.

1	PBT	UL94V-0. COLOR : WHITE				
NO.	MATERIAL	FINISH . REMARKS	NO.	MATERIAL	FINISH . REMARKS	
UNITS mm			SCALE 5 : 1		DESCRIPTION OF REVISIONS	DESIGNED
						CHECKED
						DATE
APPROVED : A0. SUZUKI			12.03.19	DRAWING NO. EDC3-126923-00		
CHECKED : KN. ICHIKAWA			12.03.19	PART NO. PQ50-SC-KY		
DESIGNED : TU. TANIGUCHI			12.03.15	CODE NO. CL236-2009-2-00		
DRAWN : P. EKSOURIYA			12.03.13	1/1		