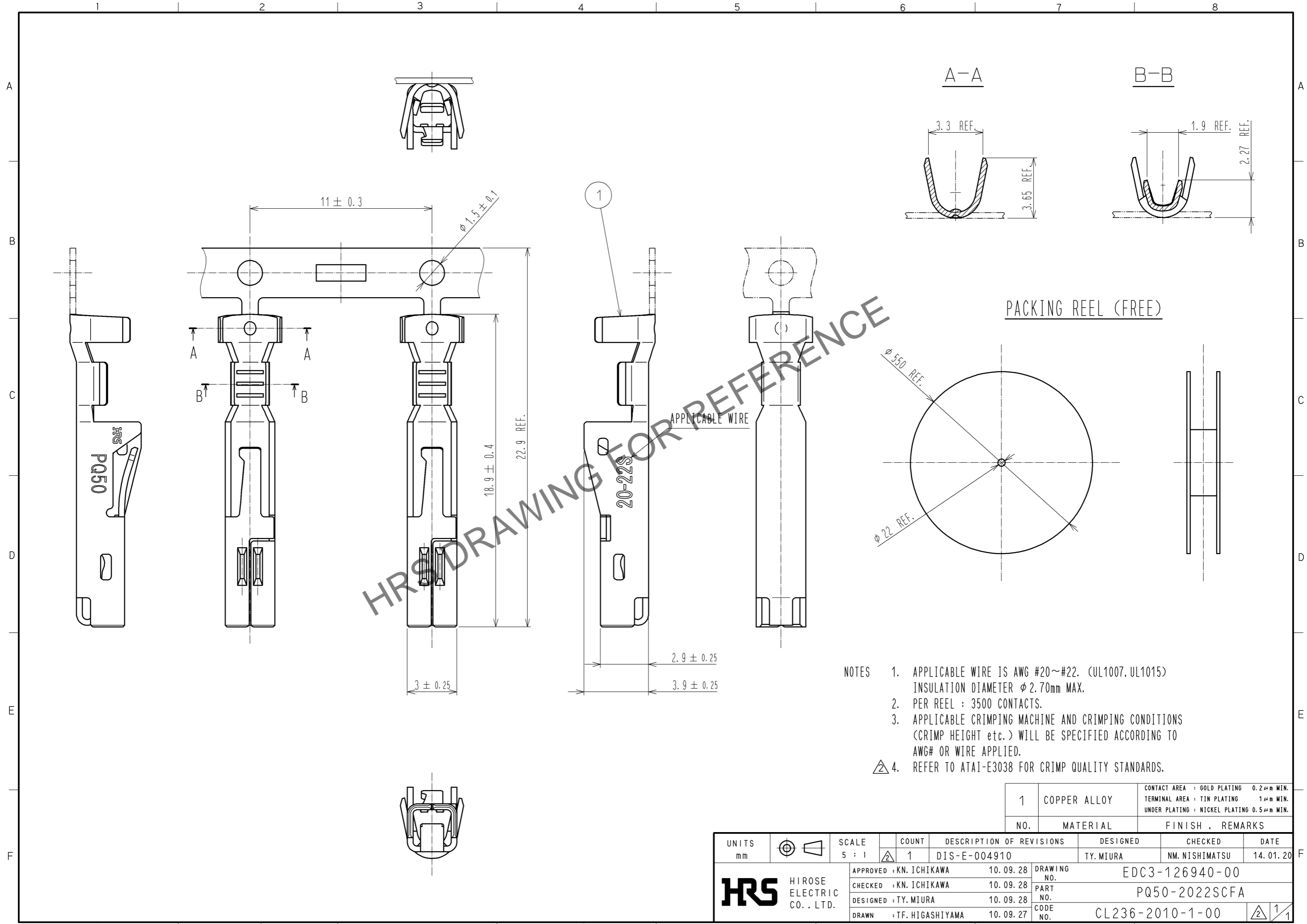


Apr.1.2026 Copyright 2026 HIROSE ELECTRIC CO., LTD. All Rights Reserved.
 In case of consideration for using Automotive equipment / device which demand high reliability, kindly contact our sales window correspondents.



- NOTES
1. APPLICABLE WIRE IS AWG #20~#22. (UL1007, UL1015)
INSULATION DIAMETER φ 2.70mm MAX.
 2. PER REEL : 3500 CONTACTS.
 3. APPLICABLE CRIMPING MACHINE AND CRIMPING CONDITIONS (CRIMP HEIGHT etc.) WILL BE SPECIFIED ACCORDING TO AWG# OR WIRE APPLIED.
 4. REFER TO ATAI-E3038 FOR CRIMP QUALITY STANDARDS.

1	COPPER ALLOY	CONTACT AREA : GOLD PLATING 0.2μm MIN. TERMINAL AREA : TIN PLATING 1μm MIN. UNDER PLATING : NICKEL PLATING 0.5μm MIN.
NO.	MATERIAL	FINISH . REMARKS

UNITS mm		SCALE 5 : 1	COUNT 1	DESCRIPTION OF REVISIONS DIS-E-004910	DESIGNED TY. MIURA	CHECKED NM. NISHIMATSU	DATE 14. 01. 20
HRS HIROSE ELECTRIC CO., LTD.		APPROVED : KN. ICHIKAWA 10. 09. 28	DRAWING NO. EDC3-126940-00	CHECKED : KN. ICHIKAWA 10. 09. 28	PART NO. PQ50-2022SCFA	DESIGNED : TY. MIURA 10. 09. 28	CODE NO. CL236-2010-1-00
		DRAWN : TF. HIGASHIYAMA 10. 09. 27	1/1				