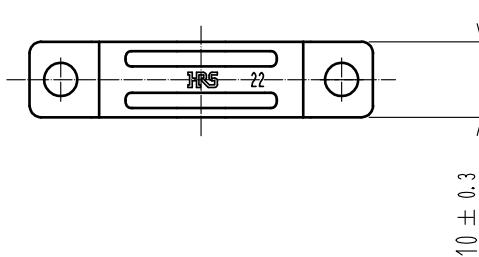
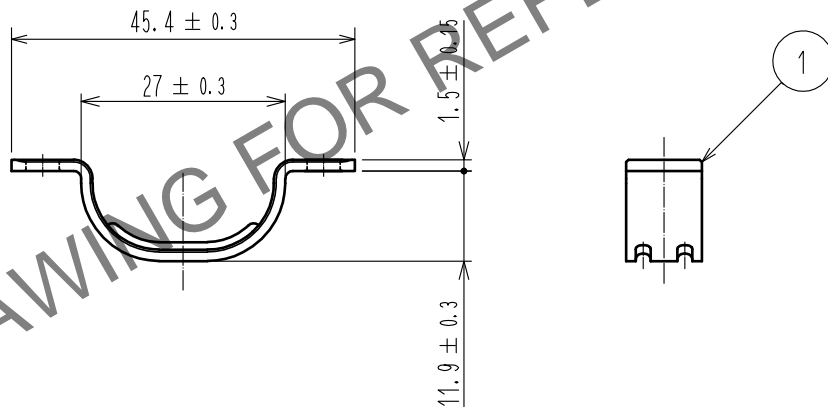
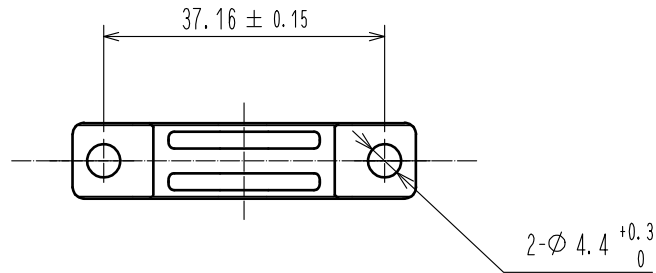
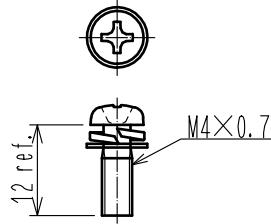


Oct.1.2024 Copyright 2024 HIROSE ELECTRIC CO., LTD. All Rights Reserved.
 In case of consideration for using Automotive equipment / device which demand high reliability, kindly contact our sales window correspondents.

② Attachment

JIS B 1188 : Cross recessed need screws with captive washer
 M4×0.7×12



- Note 1. Refer to ETAD-E 2925 for the applicable components assembled with this product.
 2. This product is available 1 pcs. of rft. No. ① in one pack and 2 pcs. of rft. No. ② in one pack.

1	Steel	Surface plating : Nickel 3μm min Under plating : Copper 2μm min	2	Steel	Surface plating : Nickel 2μm min Under plating : Copper 3μm min		
NO.	MATERIAL	FINISH . REMARKS	NO.	MATERIAL	FINISH . REMARKS		
UNITS mm		SCALE 1 : 1	COUNT 	DESCRIPTION OF REVISIONS	DESIGNED	CHECKED	DATE
HIROSE ELECTRIC CO., LTD.	APPROVED : NM. NISHIMATSU	17. 01. 25	DRAWING NO.	EDC-127023-01-00			
	CHECKED : NM. NISHIMATSU	17. 01. 25	PART NO.	PQ-CM<22. 0><01>			
	DESIGNED : MO. SHIMOYAMA	17. 01. 25	CODE NO.	CL236-2013-0-01			
	DRAWN : JY. IGA	17. 01. 25		1/1			