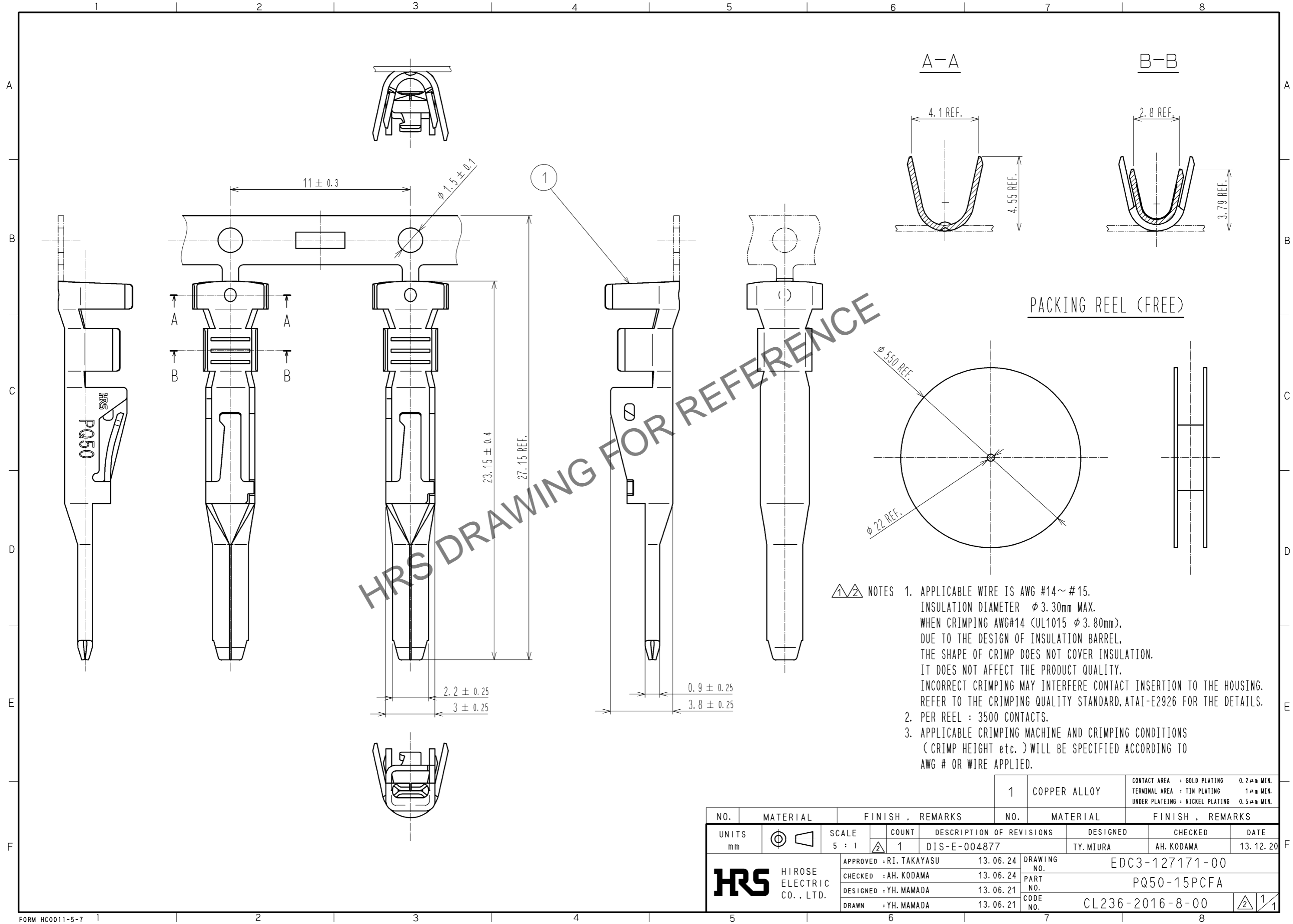


Oct.1.2024 Copyright 2024 HIROSE ELECTRIC CO., LTD. All Rights Reserved.
 In case of consideration for using Automotive equipment / device which demand high reliability, kindly contact our sales window correspondents.



- △△ NOTES
1. APPLICABLE WIRE IS AWG #14~#15.
 INSULATION DIAMETER ϕ 3.30mm MAX.
 WHEN CRIMPING AWG#14 (UL1015 ϕ 3.80mm),
 DUE TO THE DESIGN OF INSULATION BARREL,
 THE SHAPE OF CRIMP DOES NOT COVER INSULATION.
 IT DOES NOT AFFECT THE PRODUCT QUALITY.
 INCORRECT CRIMPING MAY INTERFERE CONTACT INSERTION TO THE HOUSING.
 REFER TO THE CRIMPING QUALITY STANDARD,ATAI-E2926 FOR THE DETAILS.
 2. PER REEL : 3500 CONTACTS.
 3. APPLICABLE CRIMPING MACHINE AND CRIMPING CONDITIONS
 (CRIMP HEIGHT etc.) WILL BE SPECIFIED ACCORDING TO
 AWG # OR WIRE APPLIED.

1	COPPER ALLOY	CONTACT AREA : GOLD PLATING 0.2 μ m MIN. TERMINAL AREA : TIN PLATING 1 μ m MIN. UNDER PLATING : NICKEL PLATING 0.5 μ m MIN.
---	--------------	---

NO.	MATERIAL	FINISH . REMARKS	NO.	MATERIAL	FINISH . REMARKS
UNITS mm		SCALE 5 : 1	COUNT 1	DESCRIPTION OF REVISIONS DIS-E-004877	DESIGNED TY. MIURA
APPROVED : RI. TAKAYASU 13.06.24		DRAWING NO. EDC3-127171-00		CHECKED AH. KODAMA	
CHECKED : AH. KODAMA 13.06.24		PART NO. PQ50-15PCFA		DATE 13.12.20	
DESIGNED : YH. MAMADA 13.06.21		CODE NO. CL236-2016-8-00		1/1	
DRAWN : YH. MAMADA 13.06.21					