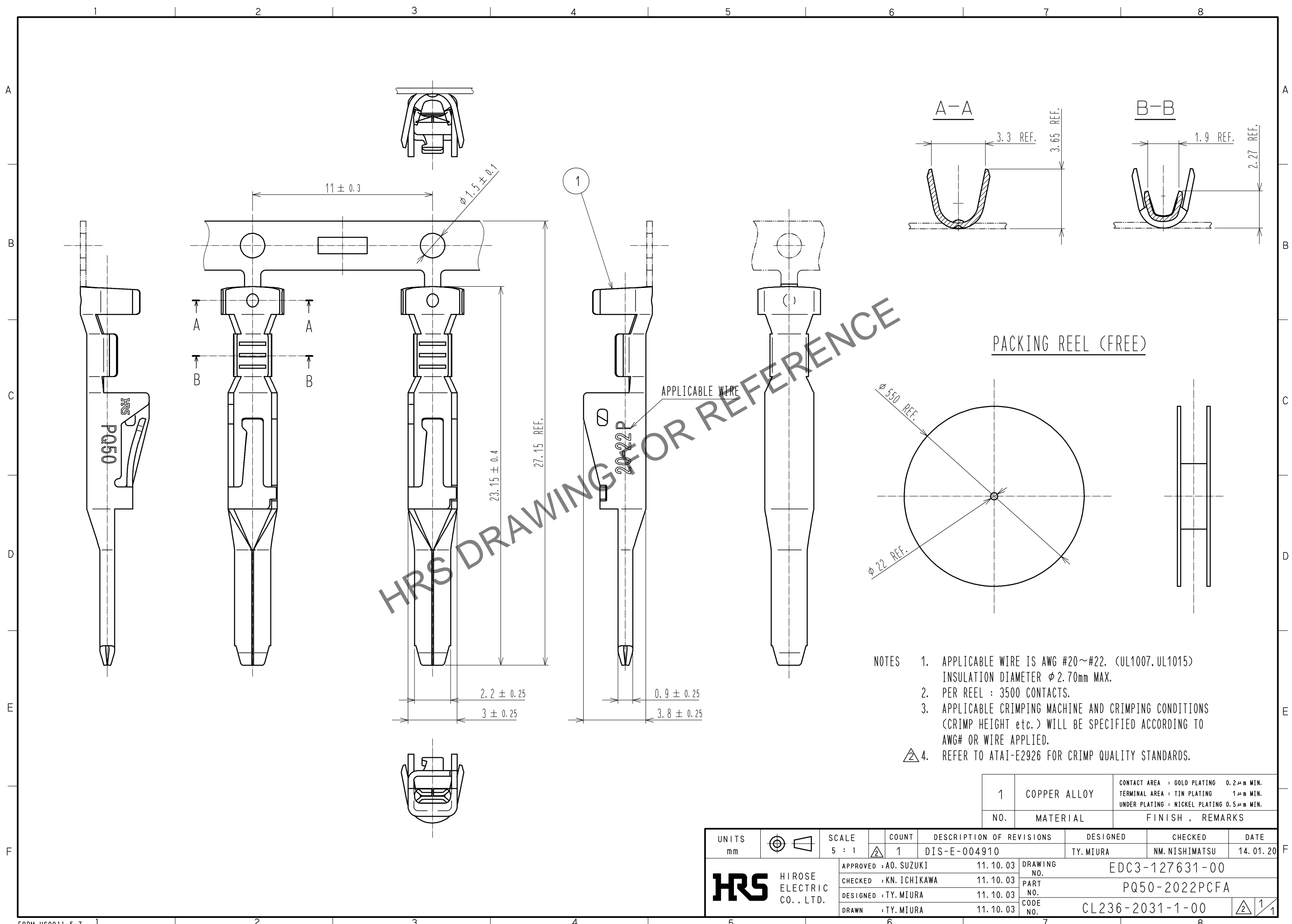


Oct.1.2024 Copyright 2024 HIROSE ELECTRIC CO., LTD. All Rights Reserved.  
 In case of consideration for using Automotive equipment / device which demand high reliability, kindly contact our sales window correspondents.



- NOTES
1. APPLICABLE WIRE IS AWG #20~#22. (UL1007, UL1015)  
INSULATION DIAMETER φ 2.70mm MAX.
  2. PER REEL : 3500 CONTACTS.
  3. APPLICABLE CRIMPING MACHINE AND CRIMPING CONDITIONS (CRIMP HEIGHT etc.) WILL BE SPECIFIED ACCORDING TO AWG# OR WIRE APPLIED.
  4. REFER TO ATAI-E2926 FOR CRIMP QUALITY STANDARDS.

PACKING REEL (FREE)

1	COPPER ALLOY	CONTACT AREA : GOLD PLATING 0.2μm MIN. TERMINAL AREA : TIN PLATING 1μm MIN. UNDER PLATING : NICKEL PLATING 0.5μm MIN.
NO.	MATERIAL	FINISH , REMARKS

UNITS mm		SCALE 5 : 1	COUNT 1	DESCRIPTION OF REVISIONS DIS-E-004910	DESIGNED TY. MIURA	CHECKED NM. NISHIMATSU	DATE 14. 01. 20
APPROVED : AO. SUZUKI 11. 10. 03				DRAWING NO. EDC3-127631-00			
CHECKED : KN. ICHIKAWA 11. 10. 03				PART NO. PQ50-2022PCFA			
DESIGNED : TY. MIURA 11. 10. 03				CODE NO. CL236-2031-1-00			
DRAWN : TY. MIURA 11. 10. 03				1/1			

**HRS** HIROSE ELECTRIC CO., LTD.