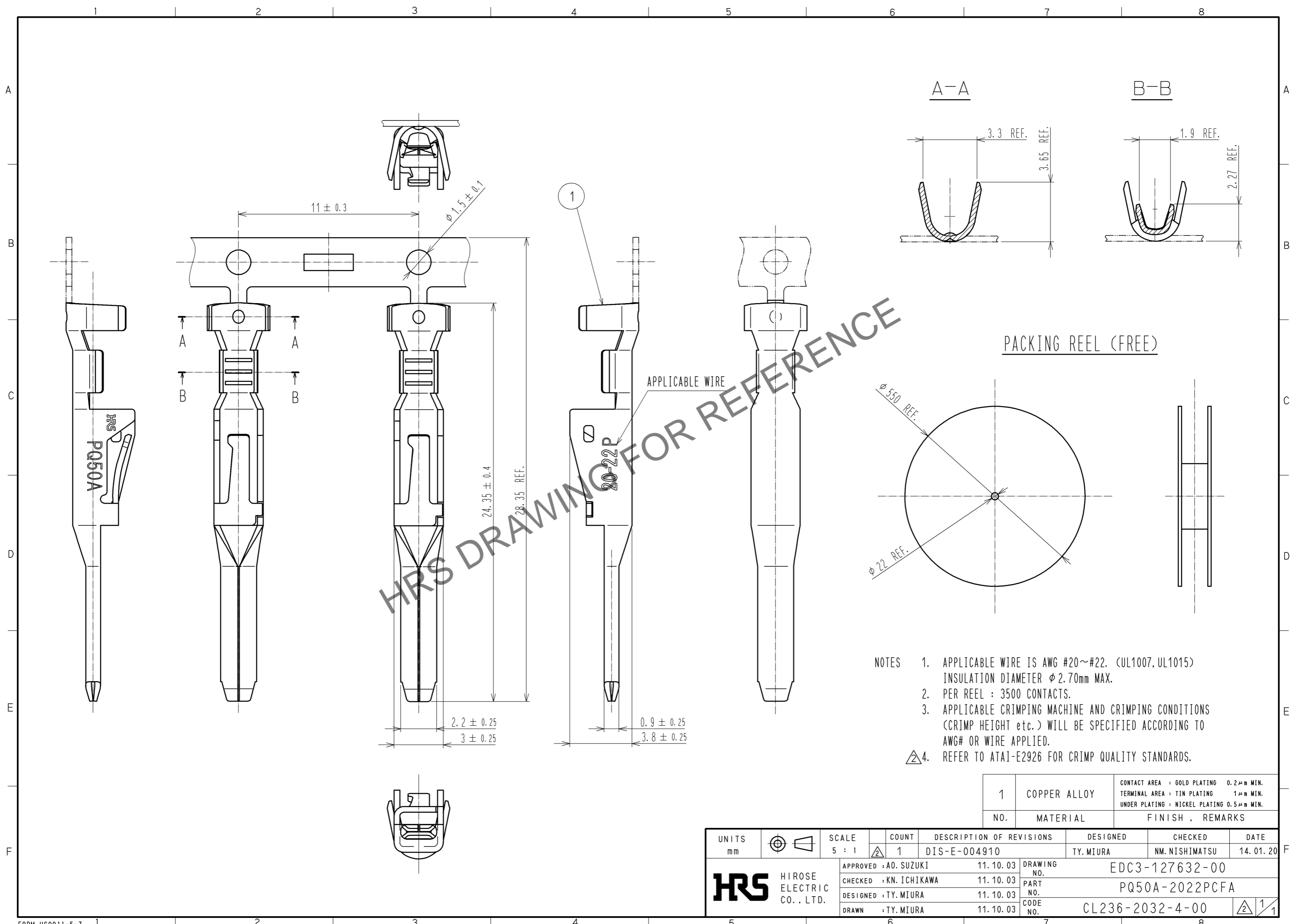


Oct.1.2024 Copyright 2024 HIROSE ELECTRIC CO., LTD. All Rights Reserved.
In case of consideration for using Automotive equipment / device which demand high reliability, kindly contact our sales window correspondents.



HRS DRAWING FOR REFERENCE

PACKING REEL (FREE)

- NOTES
1. APPLICABLE WIRE IS AWG #20~#22. (UL1007, UL1015)
INSULATION DIAMETER φ 2.70mm MAX.
 2. PER REEL : 3500 CONTACTS.
 3. APPLICABLE CRIMPING MACHINE AND CRIMPING CONDITIONS (CRIMP HEIGHT etc.) WILL BE SPECIFIED ACCORDING TO AWG# OR WIRE APPLIED.
 4. REFER TO ATAI-E2926 FOR CRIMP QUALITY STANDARDS.

1	COPPER ALLOY	CONTACT AREA : GOLD PLATING 0.2μm MIN. TERMINAL AREA : TIN PLATING 1μm MIN. UNDER PLATING : NICKEL PLATING 0.5μm MIN.
NO.	MATERIAL	FINISH , REMARKS

UNITS mm		SCALE 5 : 1	COUNT 1	DESCRIPTION OF REVISIONS DIS-E-004910	DESIGNED TY. MIURA	CHECKED NM. NISHIMATSU	DATE 14. 01. 20
HIROSE ELECTRIC CO., LTD.				APPROVED : AO. SUZUKI 11. 10. 03	DRAWING NO. EDC3-127632-00		
				CHECKED : KN. ICHIKAWA 11. 10. 03	PART NO. PQ50A-2022PCFA		
				DESIGNED : TY. MIURA 11. 10. 03	CODE NO. CL236-2032-4-00		
				DRAWN : TY. MIURA 11. 10. 03	<div style="text-align: right;"> 1/1 </div>		