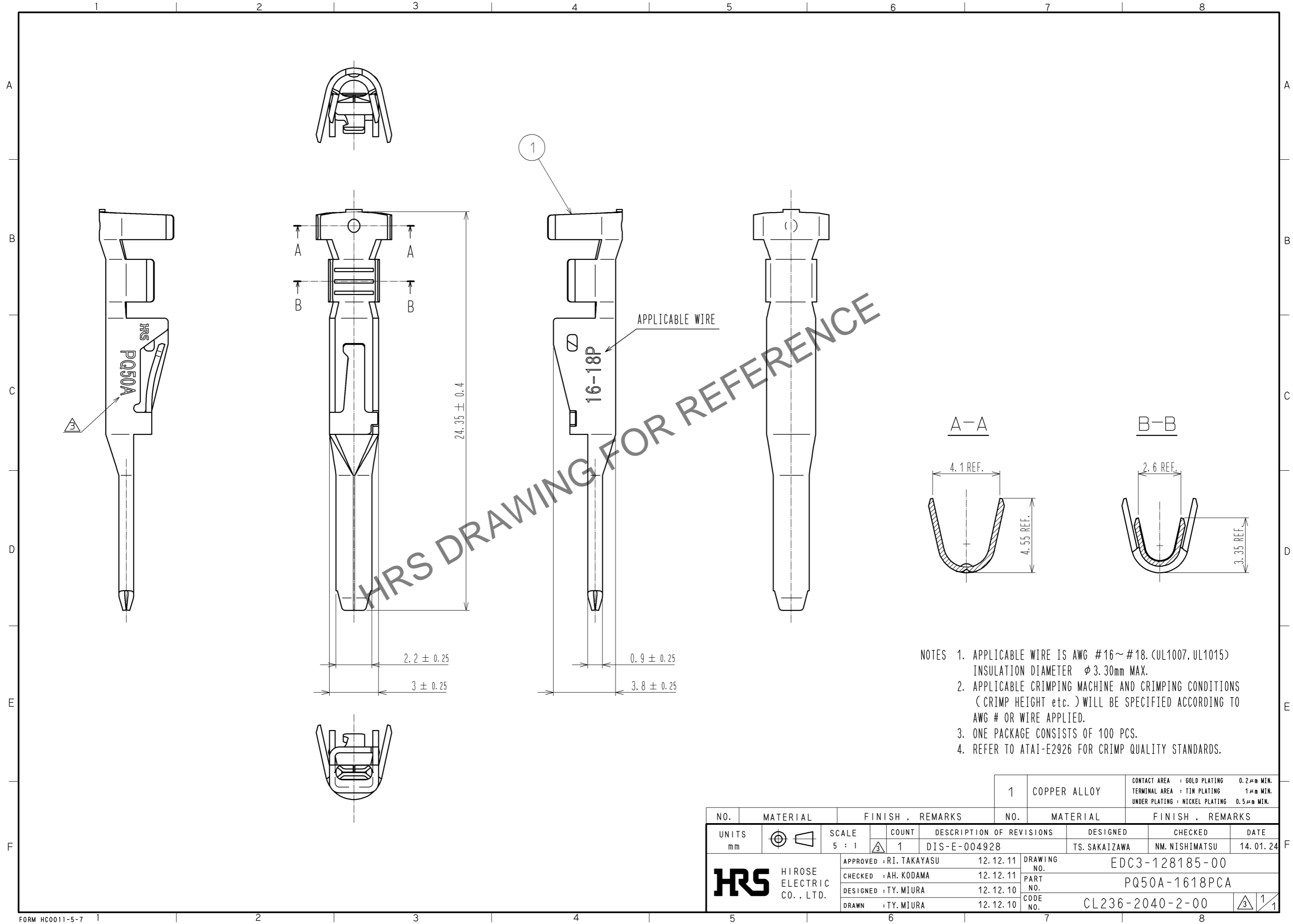


Oct.1.2024 Copyright 2024 HIROSE ELECTRIC CO., LTD. All Rights Reserved.
 In case of consideration for using Automotive equipment / device which demand high reliability, kindly contact our sales window correspondents.



- NOTES
1. APPLICABLE WIRE IS AWG #16~#18. (UL1007, UL1015) INSULATION DIAMETER $\phi 3.30$ mm MAX.
 2. APPLICABLE CRIMPING MACHINE AND CRIMPING CONDITIONS (CRIMP HEIGHT etc.) WILL BE SPECIFIED ACCORDING TO AWG # OR WIRE APPLIED.
 3. ONE PACKAGE CONSISTS OF 100 PCS.
 4. REFER TO ATAI-E2926 FOR CRIMP QUALITY STANDARDS.

NO. 1		MATERIAL COPPER ALLOY		CONTACT AREA : GOLD PLATING 0.2 μ m MIN.		TERMINAL AREA : TIN PLATING 1 μ m MIN.		UNDER PLATING : NICKEL PLATING 0.5 μ m MIN.	
NO.	MATERIAL	FINISH . REMARKS		NO.	MATERIAL	FINISH . REMARKS			
UNITS mm		SCALE 5 : 1	COUNT 1	DESCRIPTION OF REVISIONS DIS-E-004928		DESIGNED TS. SAKAIZAWA	CHECKED NM. NISHIMATSU	DATE 14. 01. 24	
HRS HIROSE ELECTRIC CO., LTD.		APPROVED : RI. TAKAYASU	12. 12. 11	DRAWING NO. EDC3-128185-00					
		CHECKED : AH. KODAMA	12. 12. 11	PART NO. PQ50A-1618PCA					
		DESIGNED : TY. MIURA	12. 12. 10	CODE NO. CL236-2040-2-00					
		DRAWN : TY. MIURA	12. 12. 10						