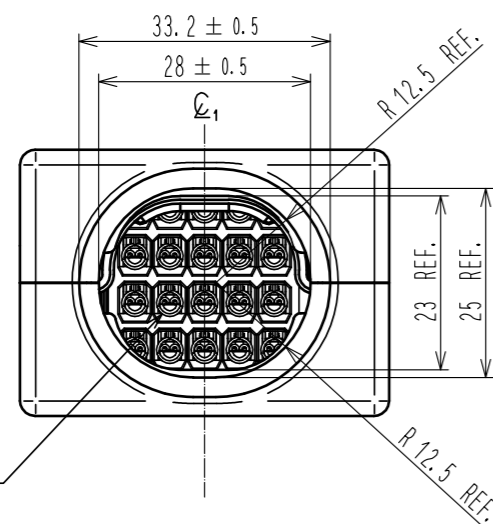
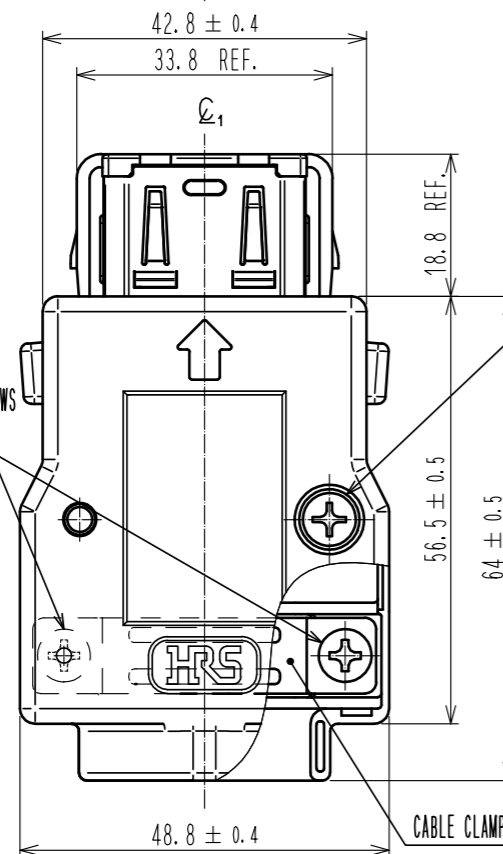
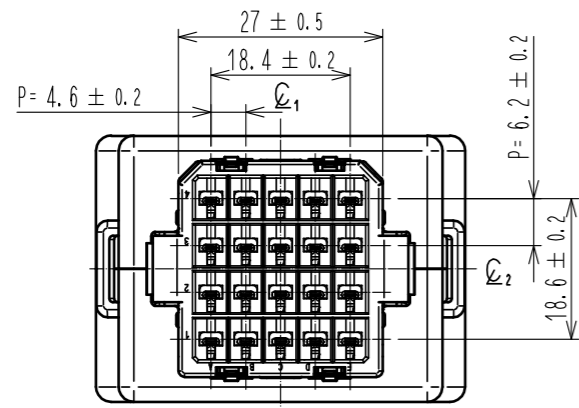


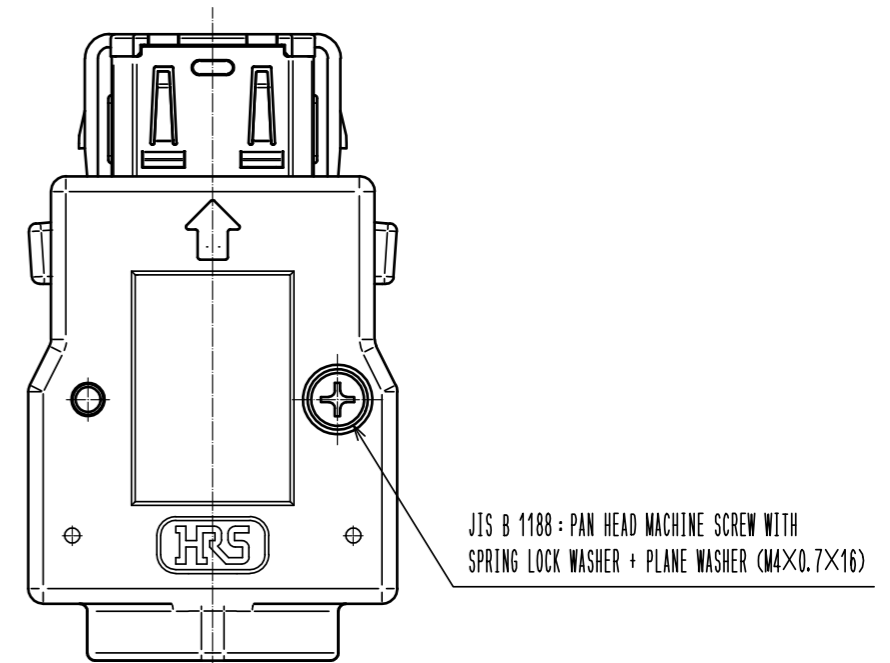
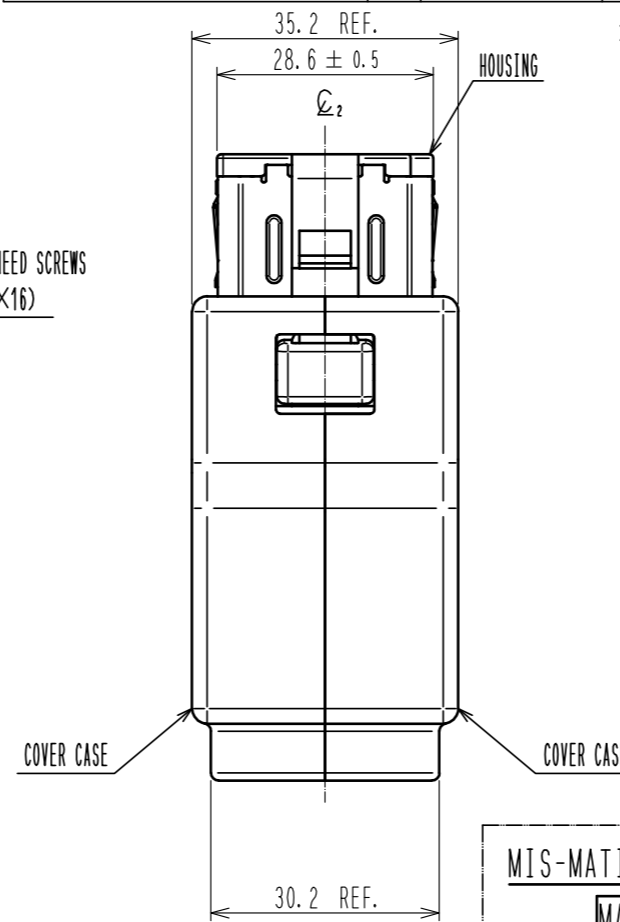
CABLE PLUG (MALE CONTACT, PQ50 SERIES 20positions.TYPE)

BILL OF MATERIAL FOR A CABLE PLUG (MALE CONTACT) REQUIRED QUANTITY

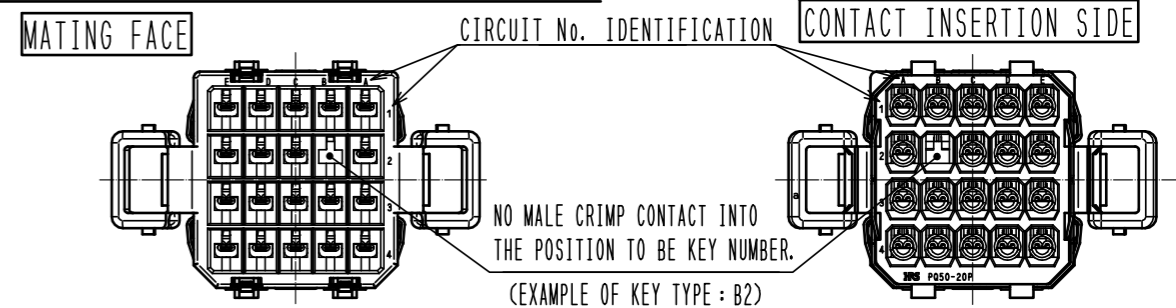


COMPONENT	REQUIRED QUANTITY	PART No.	CL No.	REMARKS	
HOUSING	1	PQ50-20P	CL236-2011-4	THE PRODUCT IS A HOUSING WITH TWO SHIELD SHELLS ASSEMBLED IN A P-INSULATED CASE.	
COVER CASE	2	PQ50-20P-PC	CL236-2000-8	TWO PIECES OF SINGLE-UNIT ARE USED. JIS B 1188 : CROSS RECESSED NEED SCREWS WITH CAPTIVE WASHER (M4×0.7×16) ATTACHMENT	
CABLE CLAMP	1	PQ-CM(22.0) or PQ-CM(15.0)	CL236-2013-0 or CL236-2005-1	APPLICABLE CABLE OUTER DIA : φ22mm or φ15mm JIS B 1188 : CROSS RECESSED NEED SCREWS WITH CAPTIVE WASHER (M4×0.7×12) ATTACHMENT	
MALE CRIMP CONTACT (STANDARD CONTACT)	①	REQUIRED NUMBER*	PQ50-1618PCFA	CL236-2006-4	APPLICABLE WIRE : UL1007 AWG#16~18, UL1015 AWG#16~18
MALE CRIMP CONTACT (SEQUENCE CONTACT)	②	REQUIRED NUMBER*	PQ50A-1618PCFA	CL236-2007-7	APPLICABLE WIRE : UL1007 AWG#16~18, UL1015 AWG#16~18
MALE CRIMP CONTACT (STANDARD CONTACT)	③	REQUIRED NUMBER*	PQ50-2022PCFA	CL236-2031-1	APPLICABLE WIRE : UL1007 AWG#20~22, UL1015 AWG#20~22
MALE CRIMP CONTACT (SEQUENCE CONTACT)	④	REQUIRED NUMBER*	PQ50A-2022PCFA	CL236-2032-4	APPLICABLE WIRE : UL1007 AWG#20~22, UL1015 AWG#20~22

*PREPARE AS YOU NEED FOR YOUR APPLICATION

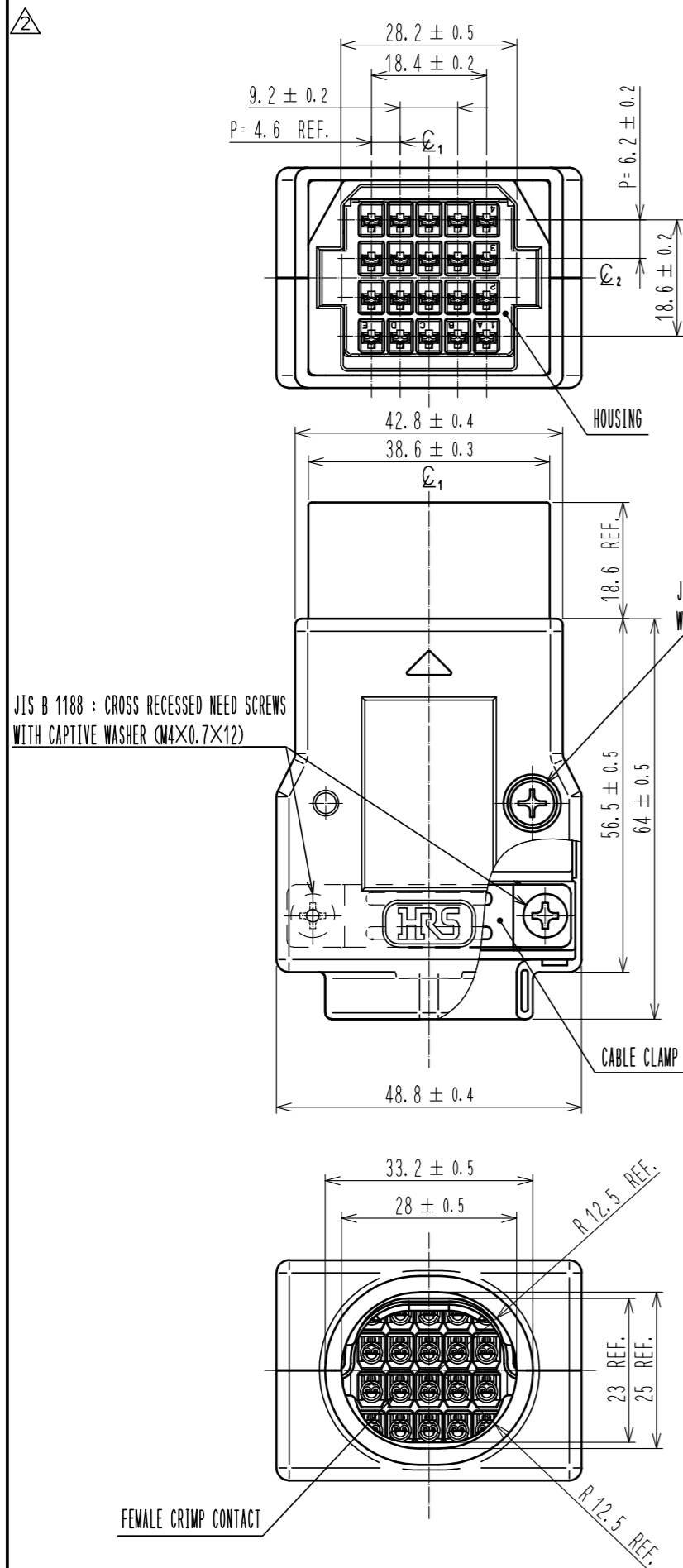


MIS-MATING PREVENTION KEY (POLARIZATION) TYPE



COUNT	DESCRIPTION OF REVISIONS	DESIGNED	CHECKED	DATE
15	DIS-E-00007929	HY. MATSUDA	KG. OKITA	20220106
名称 TITLE		HRS ヒロセ電機株式会社 HIROSE ELECTRIC CO., LTD.		
△ PQ50 SERIES 20positions.TYPE ASSEMBLED & MATED CONDITION		APPROVED	KN. ICHIKAWA	20100929
		CHECKED	KN. ICHIKAWA	20100929
		CHARGED	TY. MIURA	20100928
		WRITTEN	TF. HIGASHIYAMA	20100927
技術指定書 TECHNICAL SPECIFICATION			ETAD-E2925	1/5

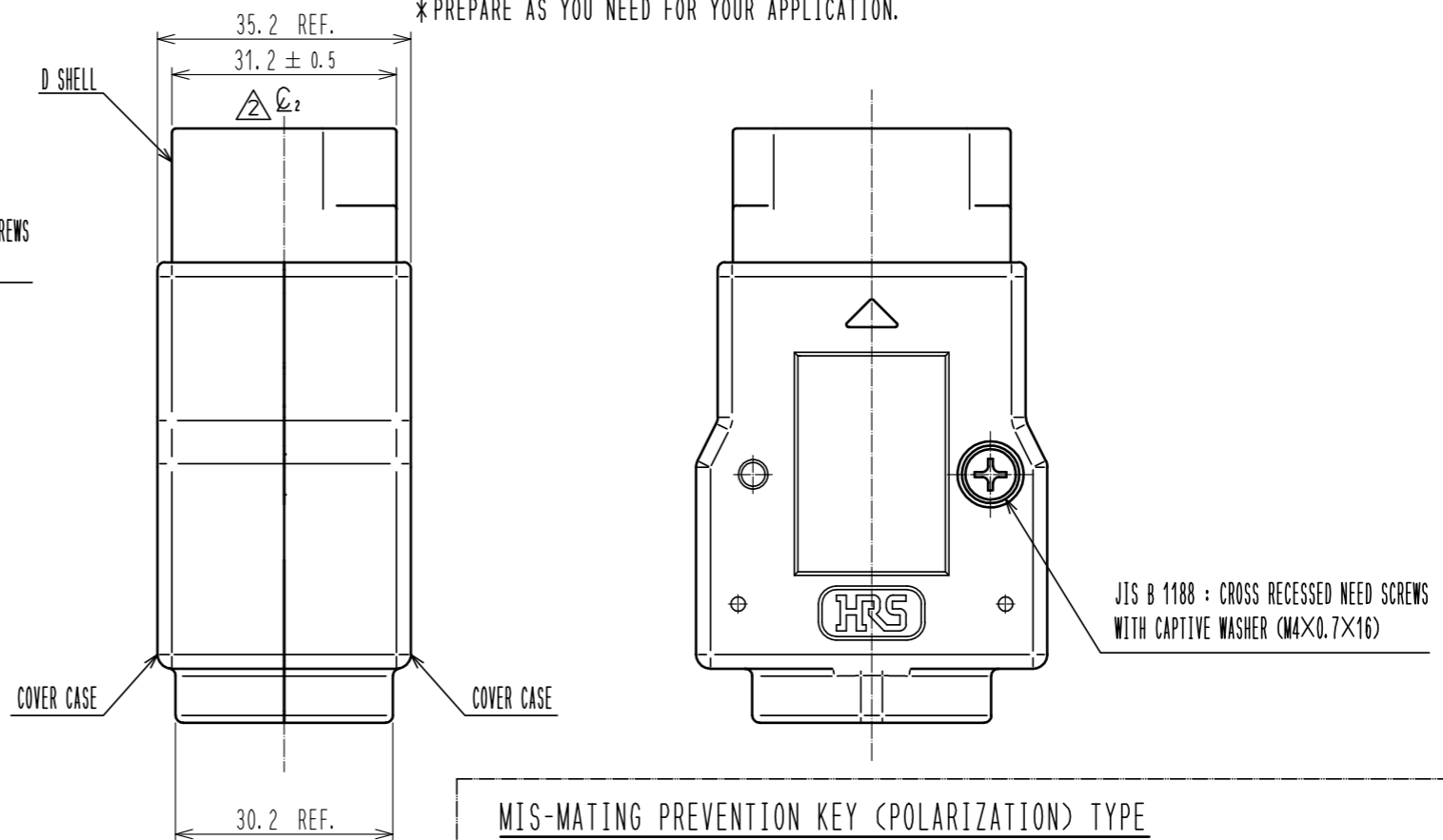
IN-LINE RECEPTACLE (FEMALE CONTACT, PQ50 SERIES 20positions.TYPE)



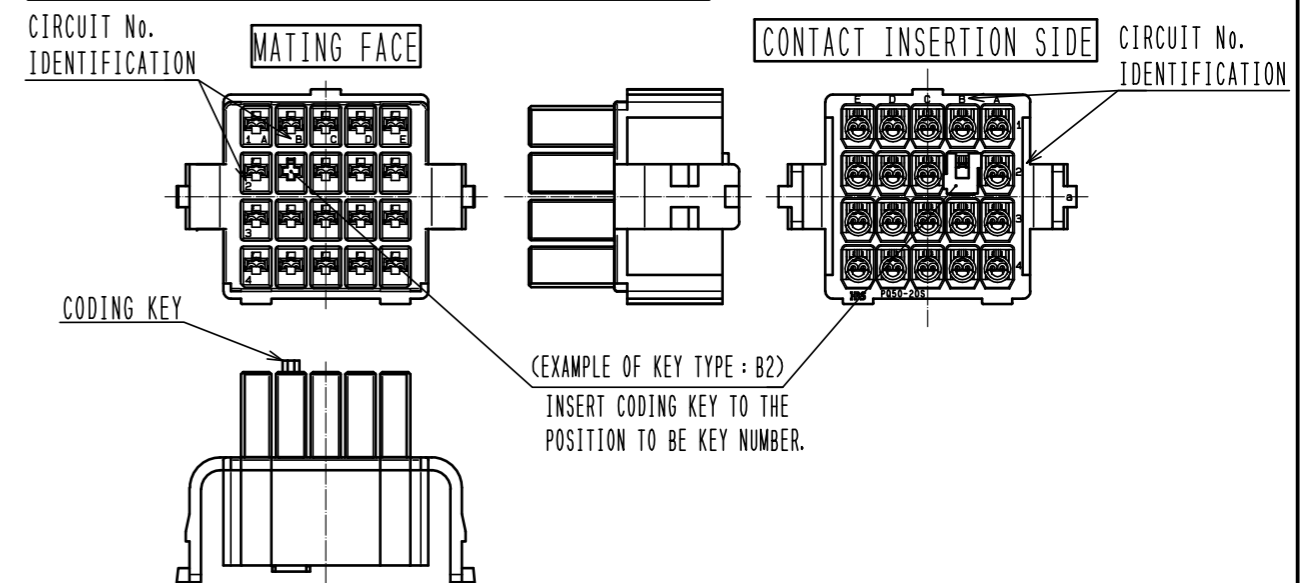
BILL OF MATERIAL FOR AN IN-LINE RECEPTACLE (FEMALE CONTACT) REQUIRED QUANTITY

COMPONENT	REQUIRED QUANTITY	PART No.	CL No.	REMARKS
HOUSING	1	PQ50-20S	CL236-2014-2	THE PRODUCT IS ONLY AVAILABLE IN S INSULATED CASE.
D SHELL	1	PQ50-20S-DS	CL236-2015-5	
COVER CASE	2	PQ50-20P-JC	CL236-2002-3	TWO PIECES OF SINGLE-UNIT ARE USED. JIS B 1188 : CROSS RECESSED NEED SCREWS WITH CAPTIVE WASHER (M4×0.7×16) ATTACHMENT
CABLE CLAMP	1	PQ-CM(22.0) or PQ-CM(15.0)	CL236-2013-0 or CL236-2005-1	APPLICABLE CABLE OUTER DIA : φ22mm or φ15mm JIS B 1188 : CROSS RECESSED NEED SCREWS WITH CAPTIVE WASHER (M4×0.7×12) ATTACHMENT
FEMALE CRIMP CONTACT	① REQUIRED NUMBER *	PQ50-1618SCFA	CL236-2008-0	APPLICABLE WIRE : UL1007 AWG#16~18, UL1015 AWG#16~18
	② REQUIRED NUMBER *	PQ50-2022SCFA	CL236-2010-1	APPLICABLE WIRE : UL1007 AWG#20~22, UL1015 AWG#20~22
CODING KEY	③ REQUIRED NUMBER *	PQ50-SC-KY	CL236-2009-2	DUMMY CONTACT FOR MIS-MATING PREVENTION.

* PREPARE AS YOU NEED FOR YOUR APPLICATION.



MIS-MATING PREVENTION KEY (POLARIZATION) TYPE



HRS

HIROSE ELECTRIC CO., LTD.

ETAD-E2925

2/5

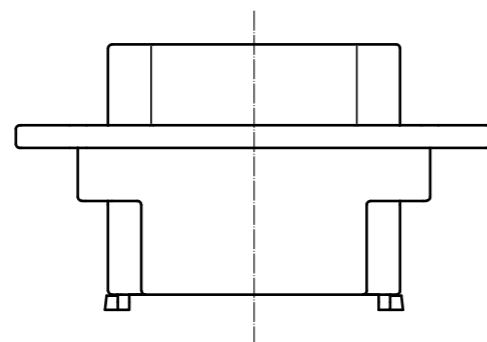
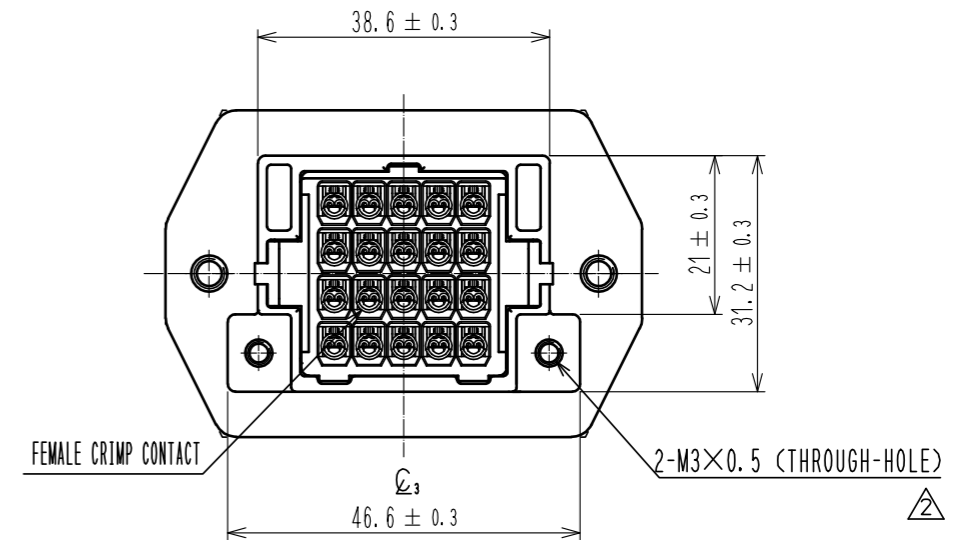
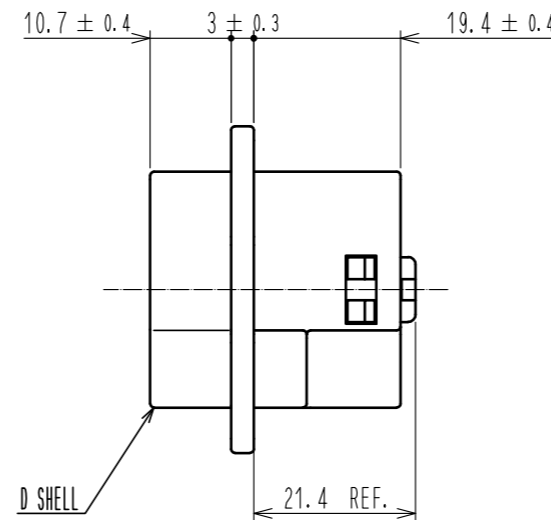
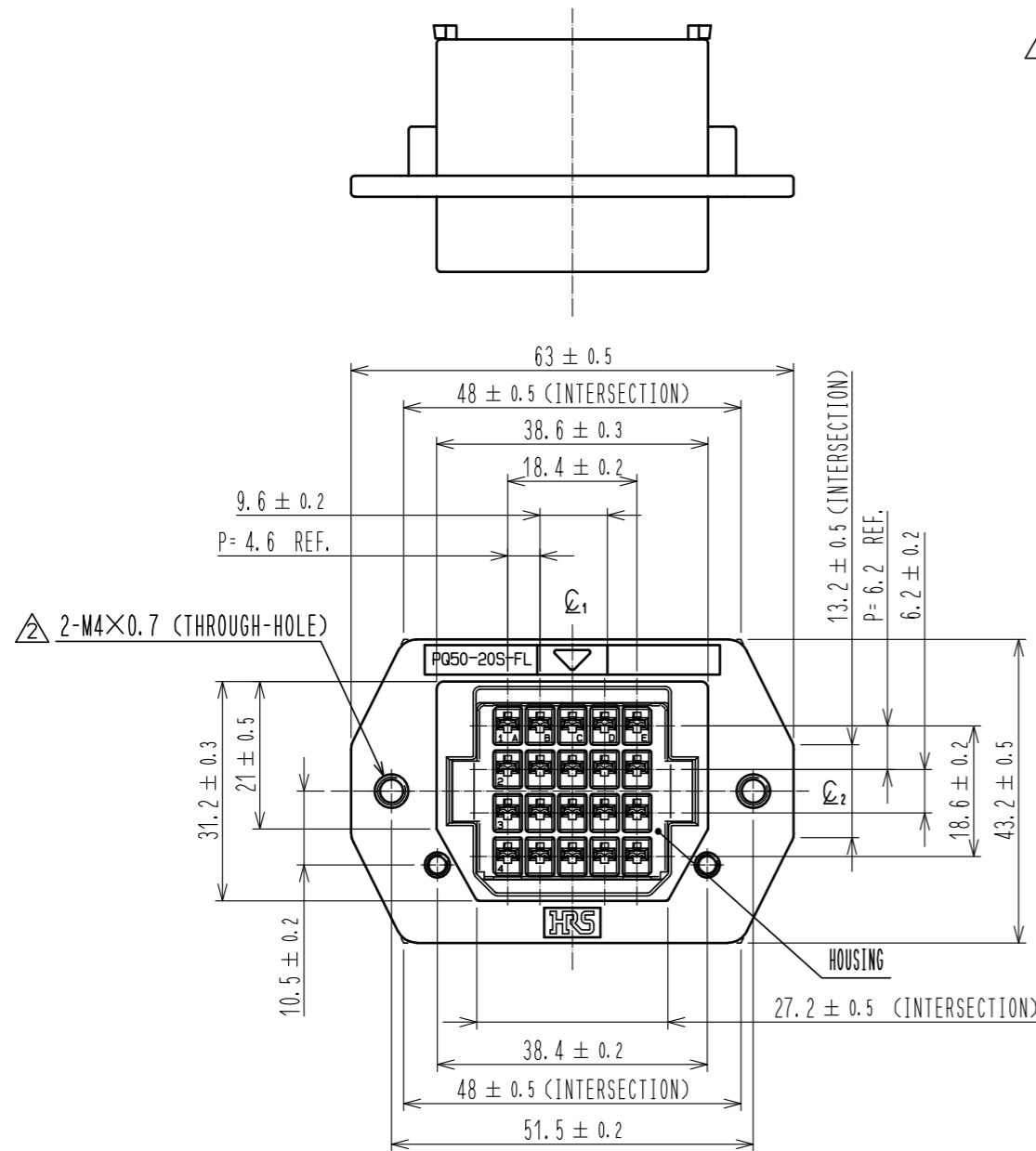
PANEL ATTACHMENT RECEPTACLE (FEMALE CONTACT, PQ50 SERIES 20positions.TYPE)



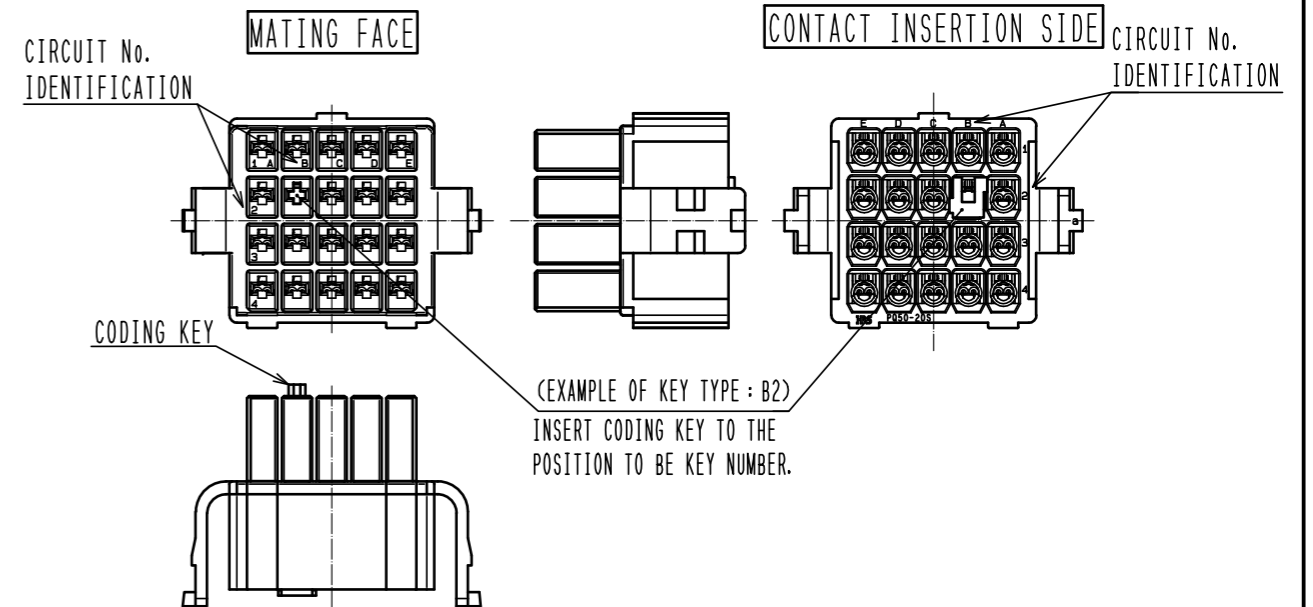
BILL OF MATERIAL FOR A PANEL ATTACHMENT RECEPTACLE (FEMALE CONTACT) REQUIRED QUANTITY

COMPONENT	REQUIRED QUANTITY	PART No.	CL No.	REMARKS	
HOUSING	1	PQ50-20S	CL236-2014-2	THE PRODUCT IS ONLY AVAILABLE IN S INSULATED CASE.	
D SHELL	1	PQ50-20S-FL	CL236-2001-0		
FEMALE CRIMP CONTACT	①	REQUIRED NUMBER*	PQ50-1618SCFA	CL236-2008-0	APPLICABLE WIRE : UL1007 AWG#16~18, UL1015 AWG#16~18
	②	REQUIRED NUMBER*	PQ50-2022SCFA	CL236-2010-1	APPLICABLE WIRE : UL1007 AWG#20~22, UL1015 AWG#20~22
CODING KEY	③	REQUIRED NUMBER*	PQ50-SC-KY	CL236-2009-2	DUMMY CONTACT FOR MIS-MATING PREVENTION.

*PREPARE AS YOU NEED FOR YOUR APPLICATION.



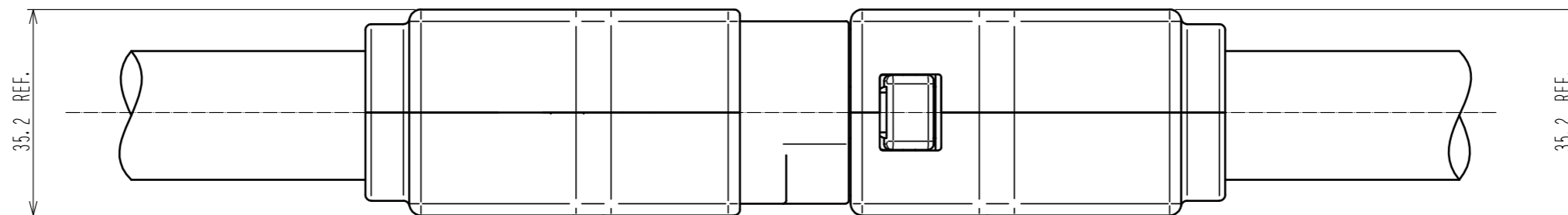
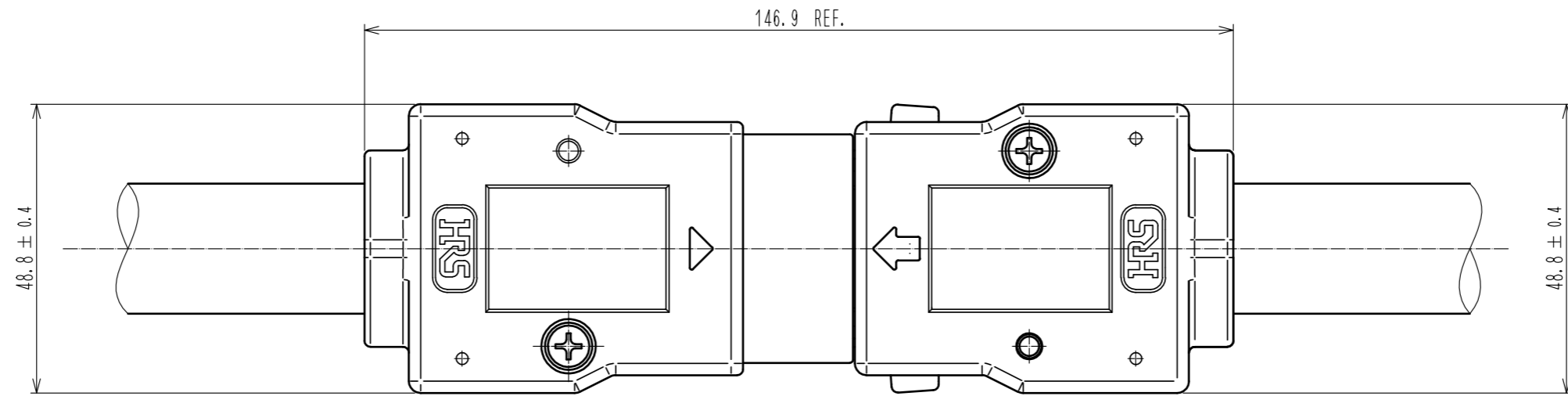
MIS-MATING PREVENTION KEY (POLARIZATION) TYPE



HIROSE ELECTRIC CO., LTD.

ETAD-E2925

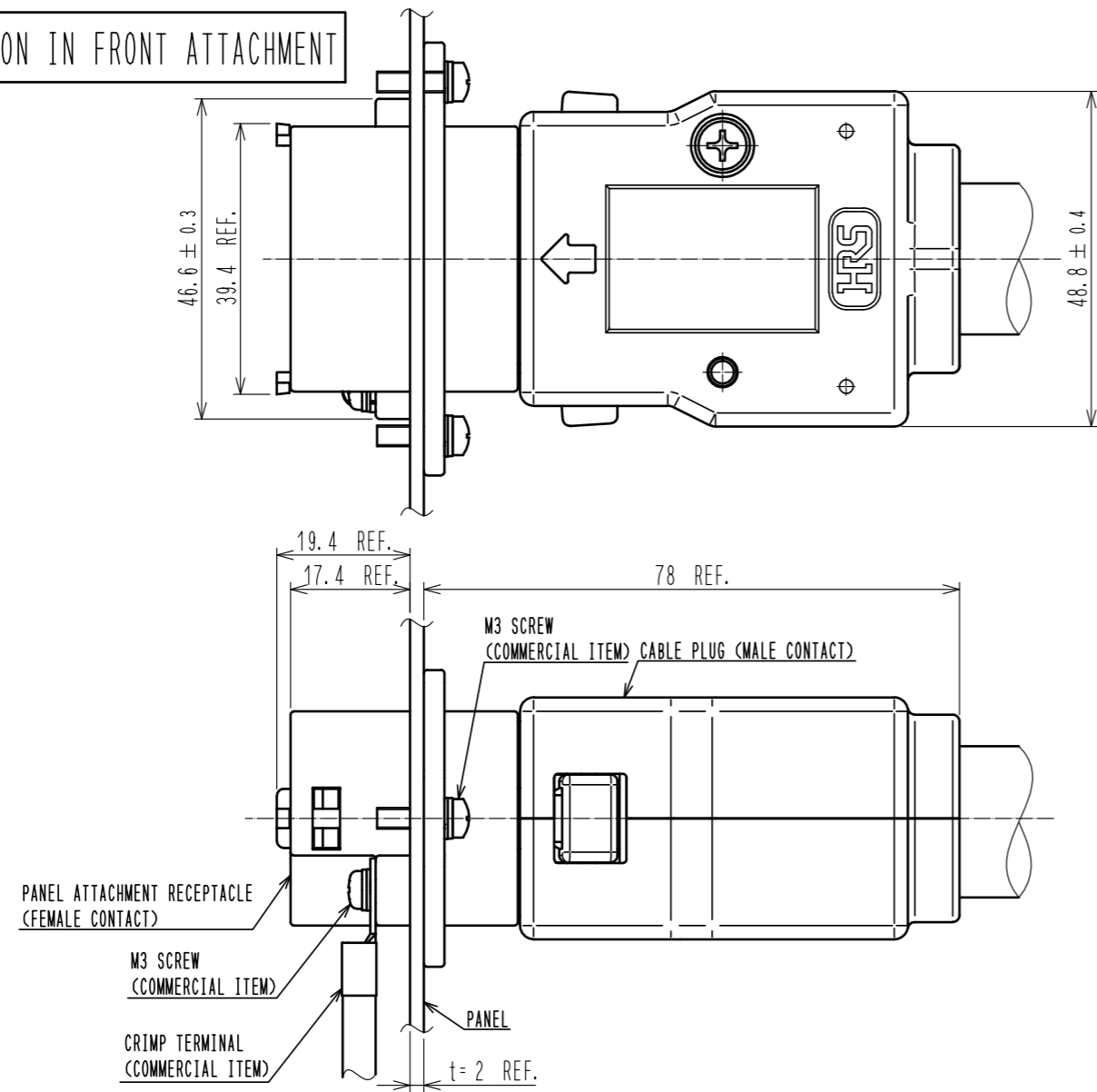
A CABLE PLUG (MALE CONTACT) AND AN IN-LINE RECEPTACLE (FEMALE CONTACT) MATED CONDITION



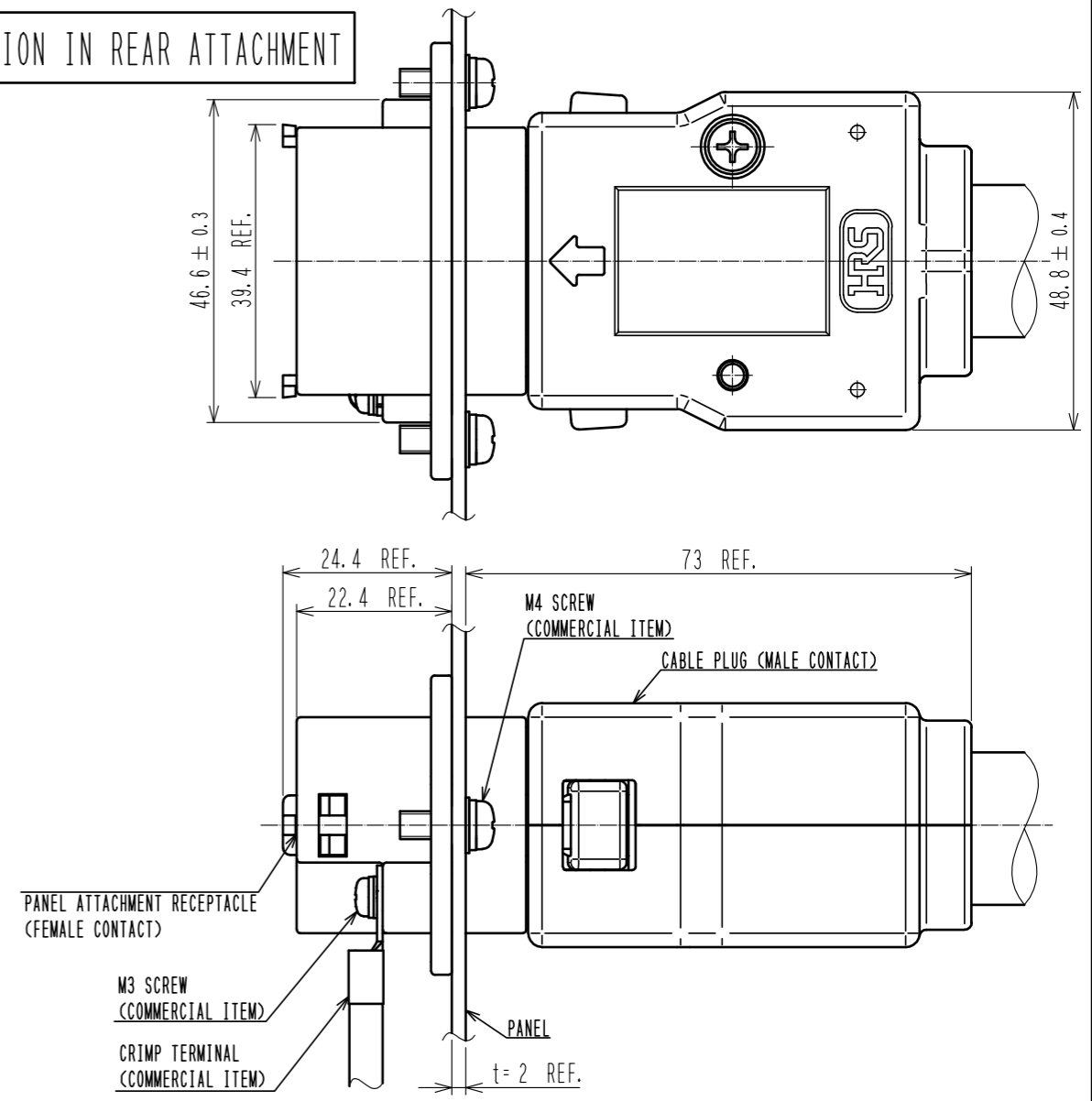
DELETE

A CABLE PLUG (MALE CONTACT) AND A PANEL ATTACHMENT RECEPTACLE (FEMALE CONTACT) MATED CONDITION

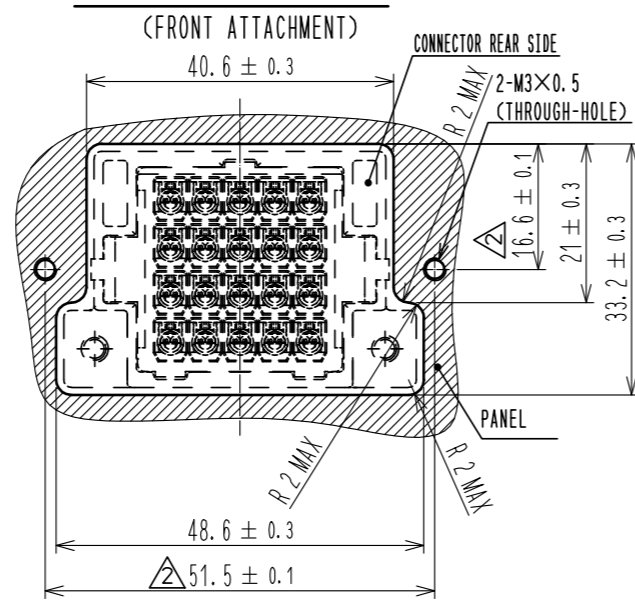
MATED CONDITION IN FRONT ATTACHMENT



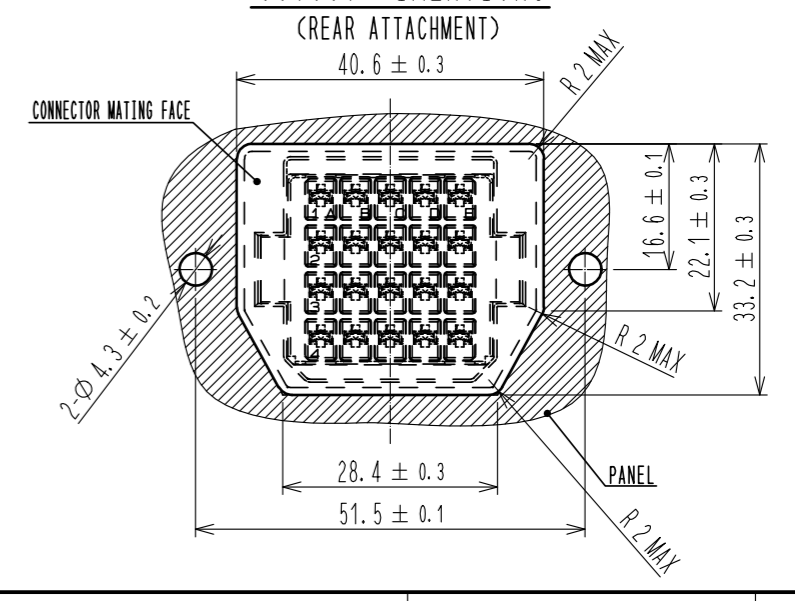
MATED CONDITION IN REAR ATTACHMENT



RECOMMENDED PANEL CUTOUT DIMENSIONS



RECOMMENDED PANEL CUTOUT DIMENSIONS



HIROSE ELECTRIC CO., LTD.

ETAD-E2925

Apr.1.2026 Copyright 2026 HIROSE ELECTRIC CO., LTD. All Rights Reserved.