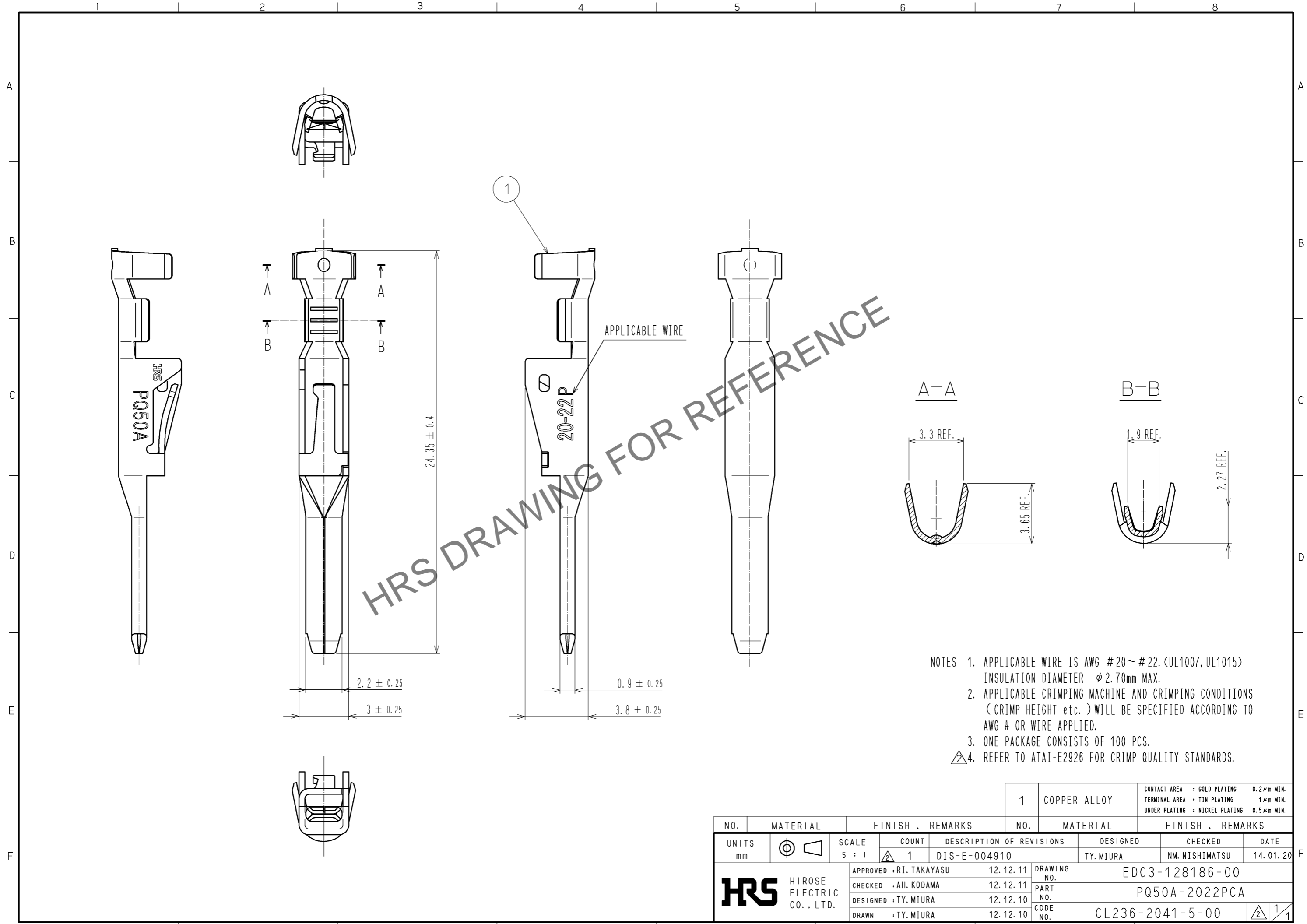


Oct.1.2024 Copyright 2024 HIROSE ELECTRIC CO., LTD. All Rights Reserved.
 In case of consideration for using Automotive equipment / device which demand high reliability, kindly contact our sales window correspondents.



- NOTES
1. APPLICABLE WIRE IS AWG #20~#22. (UL1007, UL1015) INSULATION DIAMETER $\phi 2.70$ mm MAX.
 2. APPLICABLE CRIMPING MACHINE AND CRIMPING CONDITIONS (CRIMP HEIGHT etc.) WILL BE SPECIFIED ACCORDING TO AWG # OR WIRE APPLIED.
 3. ONE PACKAGE CONSISTS OF 100 PCS.
 4. REFER TO ATAI-E2926 FOR CRIMP QUALITY STANDARDS.

NO. 1		MATERIAL COPPER ALLOY		CONTACT AREA : GOLD PLATING 0.2 μ m MIN.		TERMINAL AREA : TIN PLATING 1 μ m MIN.		UNDER PLATING : NICKEL PLATING 0.5 μ m MIN.	
NO.		MATERIAL		FINISH . REMARKS		NO.		MATERIAL	
UNITS mm		SCALE 5 : 1		COUNT 1		DESCRIPTION OF REVISIONS DIS-E-004910		DESIGNED TY. MIURA	
APPROVED : RI. TAKAYASU		12.12.11		DRAWING NO. EDC3-128186-00		CHECKED : AH. KODAMA		12.12.11	
DESIGNED : TY. MIURA		12.12.10		PART NO. PQ50A-2022PCA		DRAWN : TY. MIURA		12.12.10	
HRS HIROSE ELECTRIC CO., LTD.				CODE NO. CL236-2041-5-00				1/1	