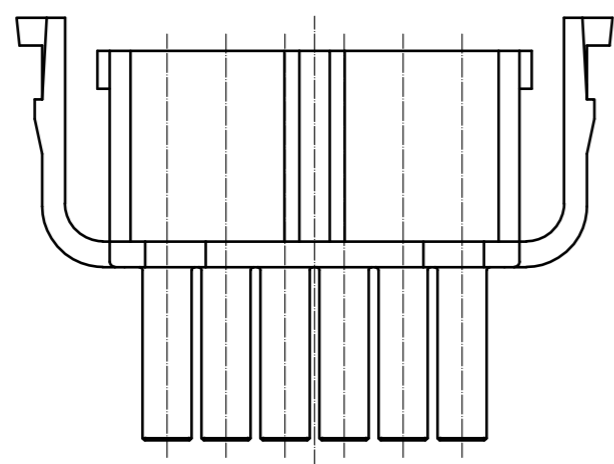
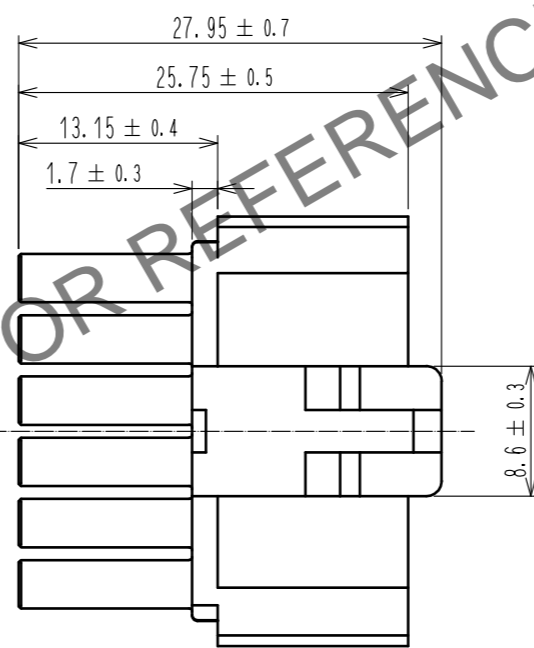
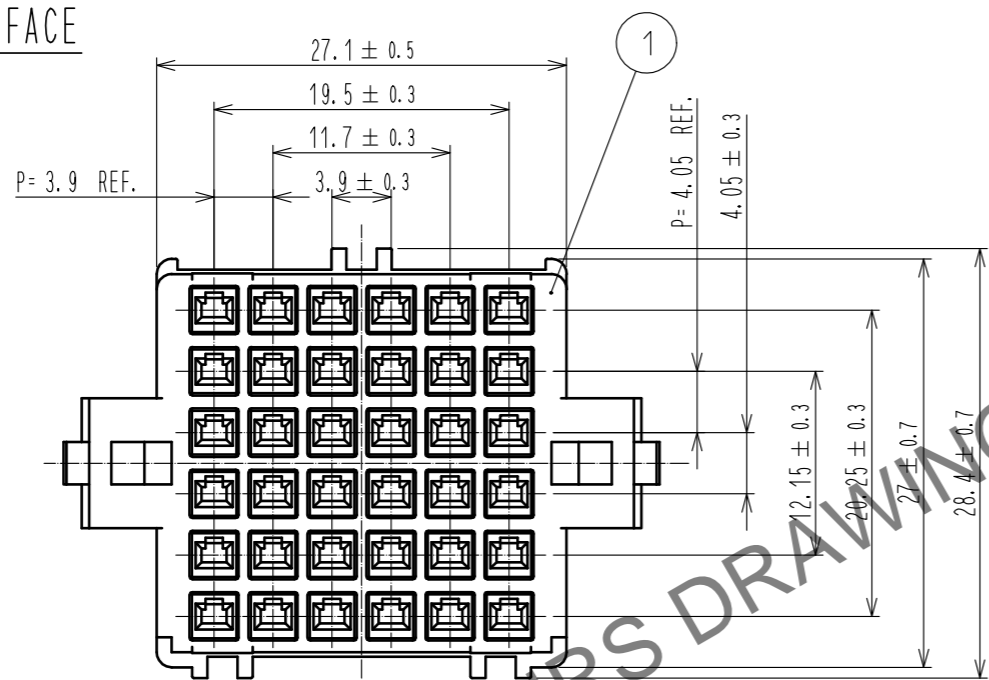


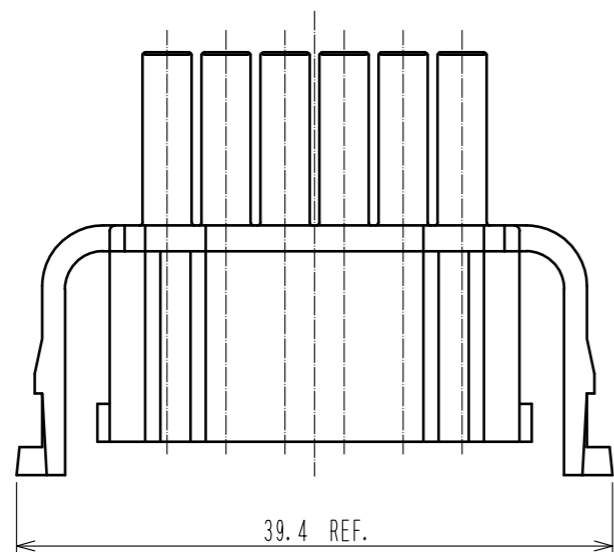
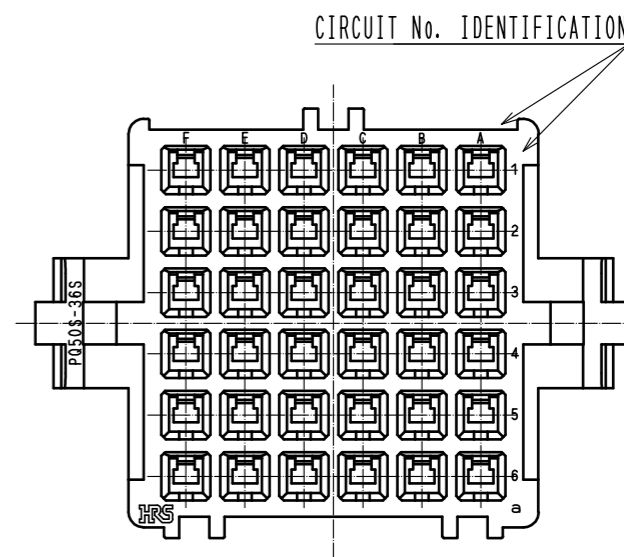
Oct.1.2024 Copyright 2024 HIROSE ELECTRIC CO., LTD. All Rights Reserved.
 In case of consideration for using Automotive equipment / device which demand high reliability, kindly contact our sales window correspondents.



MATING FACE



CONTACT INSERTION SIDE



NOTE 1. REFER TO ETAD-E3185 FOR THE APPLICABLE COMPONENTS ASSEMBLED WITH THIS PRODUCT.
 ETAD-E3185 IS UNDER CONSTRUCTION.
 2. THIS PRODUCT IS AVAILABLE BY 50 pcs./box UNIT.

NO.	MATERIAL	FINISH . REMARKS	NO.	MATERIAL	FINISH . REMARKS
			1	PBT	UL94V-0, BLACK
UNITS		SCALE	DESCRIPTION OF REVISIONS		
mm		2 : 1	DESIGNED	CHECKED	DATE
	HIROSE ELECTRIC CO., LTD.	APPROVED : RI. TAKAYASU	18.08.31	DRAWING NO.	EDC-129784-00-00
		CHECKED : RI. TAKAYASU	18.08.31	PART NO.	PQ50S-36S
		DESIGNED : TS. ITO	18.08.31	CODE NO.	CL236-2122-0-00
		DRAWN : TS. ITO	18.08.31		