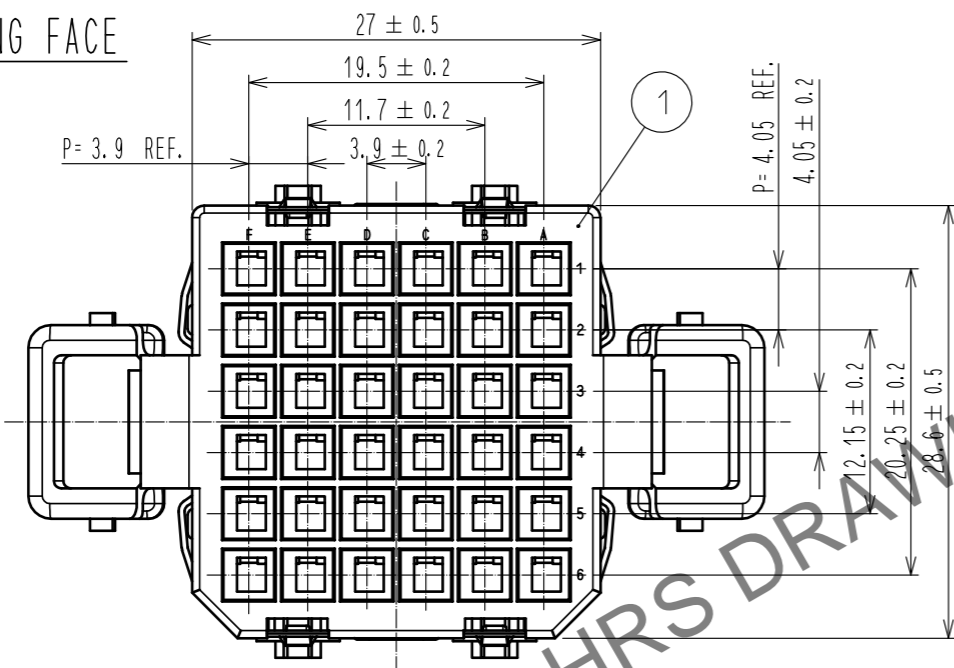
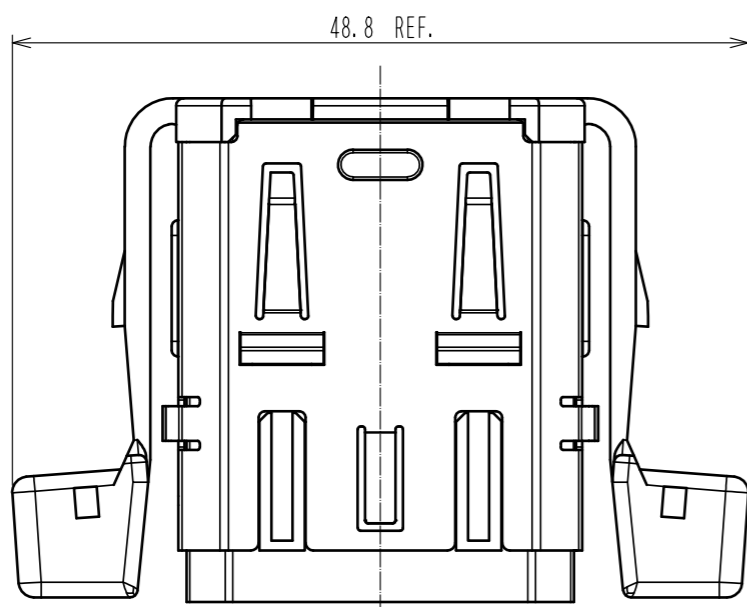
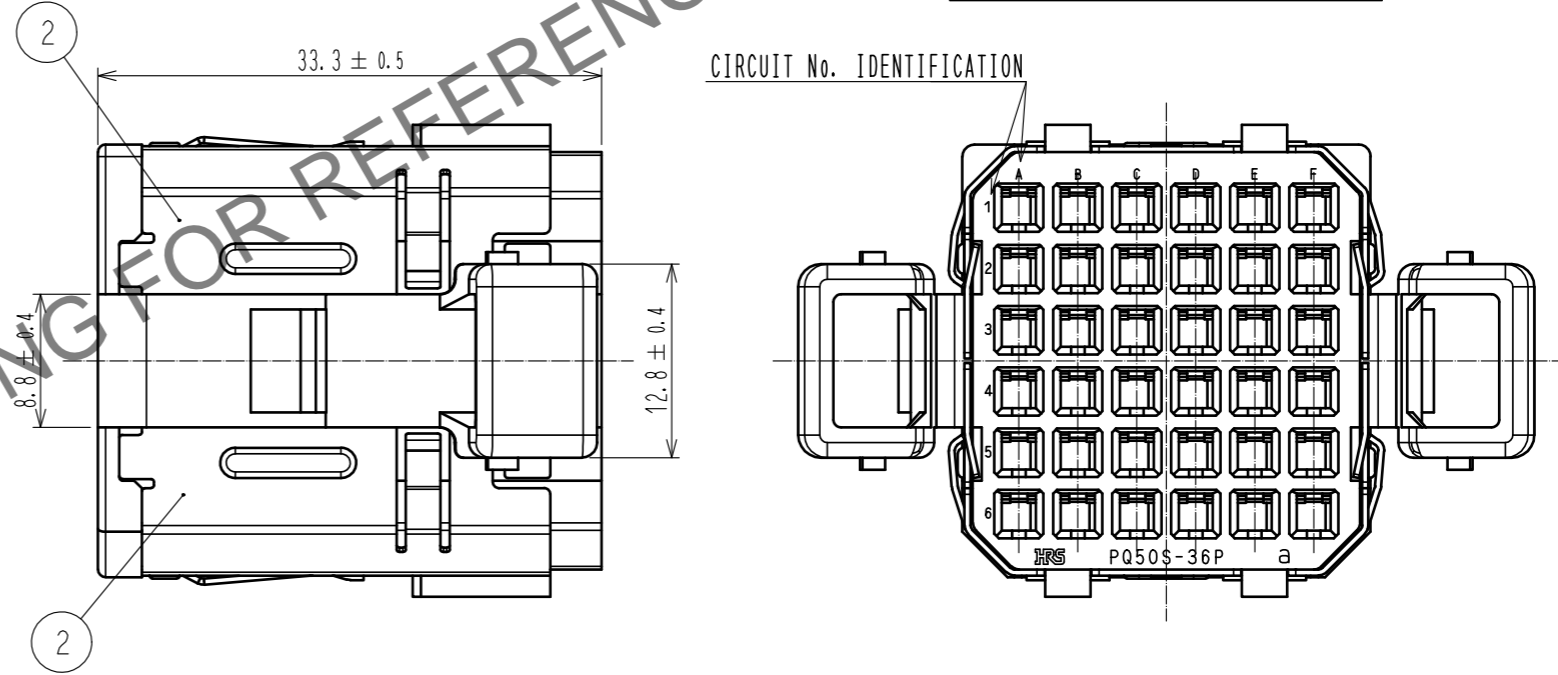


Apr.1.2026 Copyright 2026 HIROSE ELECTRIC CO., LTD. All Rights Reserved.
 In case of consideration for using Automotive equipment / device which demand high reliability, kindly contact our sales window correspondents.

MATING FACE



CONTACT INSERTION SIDE



NOTE 1. REFER TO ETAD-E3185 FOR THE APPLICABLE COMPONENTS ASSEMBLED WITH THIS PRODUCT.
 ETAD-E3185 IS UNDER CONSTRUCTION.
 2. THIS PRODUCT IS AVAILABLE BY 50 pcs./box UNIT.

1	PBT	UL94V-0, BLACK	2	STAINLESS STEEL	NICKEL PLATING
NO.	MATERIAL	FINISH, REMARKS	NO.	MATERIAL	FINISH, REMARKS
UNITS		SCALE	COUNT	DESCRIPTION OF REVISIONS	
mm		2 : 1		DESIGNED	CHECKED
HRS HIROSE ELECTRIC CO., LTD.		APPROVED : AH. KODAMA	18.06.28	DRAWING NO. EDC-129785-00-00	
		CHECKED : AH. KODAMA	18.06.28	PART NO. PQ50S-36P	
		DESIGNED : TS. ITO	18.06.28	CODE NO. CL236-2123-0-00	
		DRAWN : TS. ITO	18.06.28	1/1	